

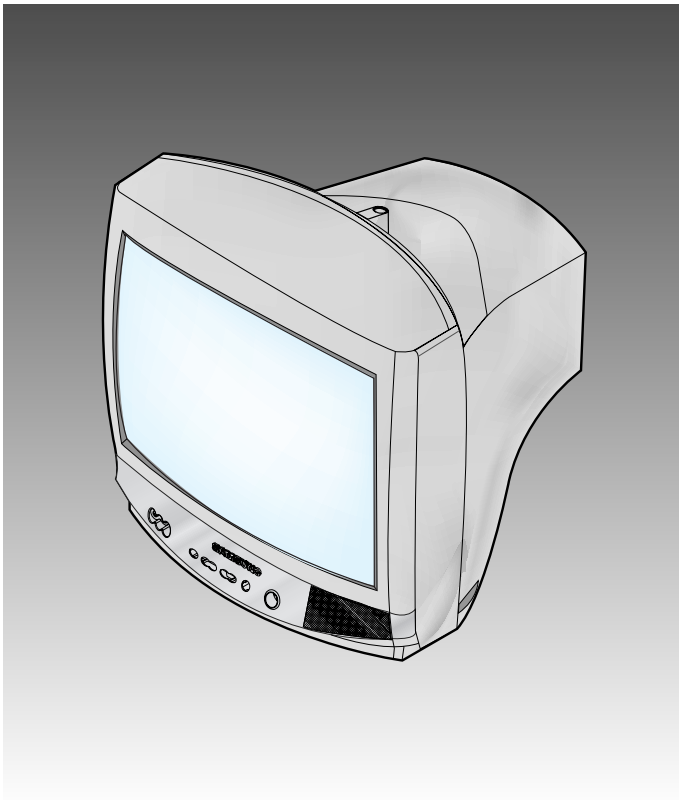
SAMSUNG

COLOR TELEVISION RECEIVER

Chassis : K15D
Model : TXM1367X/XAA TXM1367X/XAC
TXM1997X/XAA TXM1997X/XAC
TXM1967X/XAA

SERVICE *Manual*

COLOR TELEVISION RECEIVER



CONTENTS

1. Precautions
2. Specifications and IC Data
3. Disassembly and Reassembly
4. Alignment and Adjustment
5. Troubleshooting
6. Exploded View and Parts List
7. Electrical Parts List
8. Block Diagram
9. Wiring Diagram
10. Schematic Diagrams



1. Precautions

Follow these safety, servicing and ESD precautions to prevent damage and protect against potential hazards such as electrical shock and X-rays.

1-1 Safety Precautions

1. Be sure that all of the built-in protective devices are replaced. Restore any missing protective shields.
2. When reinstalling the chassis and its assemblies, be sure to restore all protective devices, including: nonmetallic control knobs and compartment covers.
3. Make sure that there are no cabinet openings through which people—particularly children—might insert fingers and contact dangerous voltages. Such openings include the spacing between the picture tube and the cabinet mask, excessively wide cabinet ventilation slots, and improperly fitted back covers.

If the measured resistance is less than 1.0 megohm or greater than 5.2 megohms, an abnormality exists that must be corrected before the unit is returned to the customer.

4. Leakage Current Hot Check (Figure 1-1):
Warning: Do not use an isolation transformer during this test. Use a leakage-current tester or a metering system that complies with American National Standards Institute (ANIS C101.1, Leakage Current for Appliances), and Underwriters Laboratories (UL Publication UL1410, 59.7).
5. With the unit completely reassembled, plug the AC line cord directly into the power outlet. With the unit's AC switch first in the ON position and then OFF, measure the current between a known earth ground (metal water pipe, conduit, etc.) and all exposed metal parts, including: antennas, handle brackets, metal cabinets, screwheads and control shafts. The current measured should not exceed 0.5 milliamp. Reverse the power-plug prongs in the AC outlet and repeat the test.

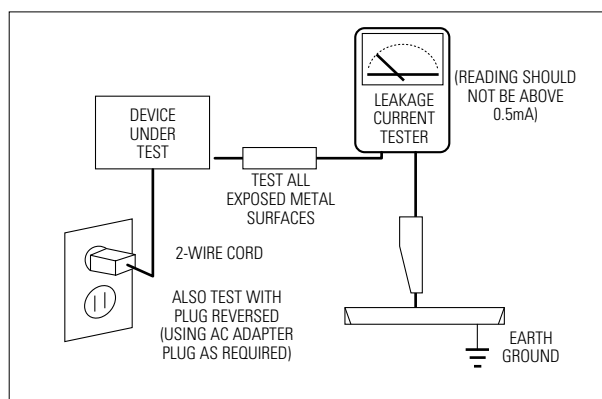


Fig. 1-1 AC Leakage Test

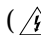
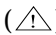
6. Antenna Cold Check:
With the unit's AC plug disconnected from the AC source, connect an electrical jumper across the two AC prongs. Connect one lead of the ohmmeter to an AC prong. Connect the other lead to the coaxial connector.
7. X-ray Limits:
The picture tube is especially designed to prohibit X-ray emissions. To ensure continued X-ray protection, replace the picture tube only with one that is the same type as the original. Carefully reinstall the picture tube shields and mounting hardware; these also provide X-ray protection.
8. High Voltage Limits:
High voltage must be measured each time servicing is done on the B+, horizontal deflection or high voltage circuits. Correct operation of the X-ray protection circuits must be reconfirmed whenever they are serviced. (X-ray protection circuits also may be called "horizontal disable" or "hold-down".)

Heed the high voltage limits. These include the X-ray Protection Specifications Label, and the Product Safety and X-ray Warning Note on the service data schematic.

1-1 Safety Precautions (Continued)

9. High voltage is maintained within specified limits by close-tolerance, safety-related components and adjustments. If the high voltage exceeds the specified limits, check each of the special components.
10. Design Alteration Warning:
Never alter or add to the mechanical or electrical design of this unit. Example: Do not add auxiliary audio or video connectors. Such alterations might create a safety hazard. Also, any design changes or additions will void the manufacturer's warranty.
11. Hot Chassis Warning:
Some TV receiver chassis are electrically connected directly to one conductor of the AC power cord. If an isolation transformer is not used, these units may be safely serviced only if the AC power plug is inserted so that the chassis is connected to the ground side of the AC source.

To confirm that the AC power plug is inserted correctly, do the following: Using an AC voltmeter, measure the voltage between the chassis and a known earth ground. If the reading is greater than 1.0V, remove the AC power plug, reverse its polarity and reinsert. Re-measure the voltage between the chassis and ground.
12. Some TV chassis are designed to operate with 85 volts AC between chassis and ground, regardless of the AC plug polarity. These units can be safely serviced only if an isolation transformer inserted between the receiver and the power source.
13. Some TV chassis have a secondary ground system in addition to the main chassis ground. This secondary ground system is not isolated from the AC power line. The two ground systems are electrically separated by insulating material that must not be defeated or altered.
14. Components, parts and wiring that appear to have overheated or that are otherwise damaged should be replaced with parts that meet the original specifications. Always determine the cause of damage or overheating, and correct any potential hazards.
15. Observe the original lead dress, especially near the following areas: Antenna wiring, sharp edges, and especially the AC and high voltage power supplies. Always inspect for pinched, out-of-place, or frayed wiring. Do not change the spacing between components and the printed circuit board. Check the AC power cord for damage. Make sure that leads and components do not touch thermally hot parts.
16. Picture Tube Implosion Warning:
The picture tube in this receiver employs "integral implosion" protection. To ensure continued implosion protection, make sure that the replacement picture tube is the same as the original.
17. Do not remove, install or handle the picture tube without first putting on shatterproof goggles equipped with side shields. Never handle the picture tube by its neck. Some "in-line" picture tubes are equipped with a permanently attached deflection yoke; do not try to remove such "permanently attached" yokes from the picture tube.
18. Product Safety Notice:
Some electrical and mechanical parts have special safety-related characteristics which might not be obvious from visual inspection. These safety features and the protection they give might be lost if the replacement component differs from the original—even if the replacement is rated for higher voltage, wattage, etc.

Components that are critical for safety are indicated in the circuit diagram by shading, () or ().
Use replacement components that have the same ratings, especially for flame resistance and dielectric strength specifications. A replacement part that does not have the same safety characteristics as the original might create shock, fire or other hazards.

1-2 Servicing Precautions

Warning1: First read the "Safety Precautions" section of this manual. If some unforeseen circumstance creates a conflict between the servicing and safety precautions, always follow the safety precautions.

Warning2: An electrolytic capacitor installed with the wrong polarity might explode.

1. Servicing precautions are printed on the cabinet. Follow them.
2. Always unplug the unit's AC power cord from the AC power source before attempting to: (a) Remove or reinstall any component or assembly, (b) Disconnect an electrical plug or connector, (c) Connect a test component in parallel with an electrolytic capacitor.
3. Some components are raised above the printed circuit board for safety. An insulation tube or tape is sometimes used. The internal wiring is sometimes clamped to prevent contact with thermally hot components. Reinstall all such elements to their original position.
4. After servicing, always check that the screws, components and wiring have been correctly reinstalled. Make sure that the portion around the serviced part has not been damaged.
5. Check the insulation between the blades of the AC plug and accessible conductive parts (examples: metal panels, input terminals and earphone jacks).
6. Insulation Checking Procedure: Disconnect the power cord from the AC source and turn the power switch ON. Connect an insulation resistance meter (500V) to the blades of the AC plug.

The insulation resistance between each blade of the AC plug and accessible conductive parts (see above) should be greater than 1 megohm.
7. Never defeat any of the B+ voltage interlocks. Do not apply AC power to the unit (or any of its assemblies) unless all solid-state heat sinks are correctly installed.
8. Always connect a test instrument's ground lead to the instrument chassis ground before connecting the positive lead; always remove the instrument's ground lead last.

1-3 Precautions for Electrostatically Sensitive Devices (ESDs)

1. Some semiconductor (“solid state”) devices are easily damaged by static electricity. Such components are called Electrostatically Sensitive Devices (ESDs); examples include integrated circuits and some field-effect transistors. The following techniques will reduce the occurrence of component damage caused by static electricity.
2. Immediately before handling any semiconductor components or assemblies, drain the electrostatic charge from your body by touching a known earth ground. Alternatively, wear a discharging wrist-strap device. (Be sure to remove it prior to applying power—this is an electric shock precaution.)
3. After removing an ESD-equipped assembly, place it on a conductive surface such as aluminum foil to prevent accumulation of electrostatic charge.
4. Do not use freon-propelled chemicals. These can generate electrical charges that damage ESDs.
5. Use only a grounded-tip soldering iron when soldering or unsoldering ESDs.
6. Use only an anti-static solder removal device. Many solder removal devices are not rated as “anti-static”; these can accumulate sufficient electrical charge to damage ESDs.
7. Do not remove a replacement ESD from its protective package until you are ready to install it. Most replacement ESDs are packaged with leads that are electrically shorted together by conductive foam, aluminum foil or other conductive materials.
8. Immediately before removing the protective material from the leads of a replacement ESD, touch the protective material to the chassis or circuit assembly into which the device will be installed.
9. Minimize body motions when handling unpackaged replacement ESDs. Motions such as brushing clothes together, or lifting a foot from a carpeted floor can generate enough static electricity to damage an ESD.

CAUTION

These servicing instructions are for use by qualified service personnel only. To reduce the risk of electric shock do not perform any servicing other than that contained in the operating instructions unless you are qualified to do so.

2. Specifications and IC Data

2-1 Specifications

Television System:

MODEL	SYSTEM
CT	NTSC ONLY

Channels:

System Band	NTSC
VHF	2 - 13
UHF	14 - 69
CABLE	1 - 125

Intermediate Frequencies (MHz) :

SYSTEM IF Carrier Frequency	NTSC
Picture IF Carrier	45.75
Sound IF Carrier	41.25
Color Sub Carrier	42.18

Picture Tube:

14 Inch	A34KQV42X	14Inch
15 Inch	A36QDT351X	15Inch Flat
20 Inch	A48KRD82X	20Inch
21 Inch	A51KQJ63X	21Inch

Power Requirements:

AC 120V, 60Hz

Antenna Input Impedance:

VHF, UHF : Telescopic dipole antenna (75 ohm unbalanced type)

Speaker Impedance

8 ohm

2-2 IC Line Up

Table 2-1 IC Line-Up			
Loc. No	Specificatio	Description	Remark
IC201S	SPM458AN	TDA9377, English/Spanish/French	Philips
IC301	LA7840	VERTICAL OUTPUT	Sanyo
IC501	TDA6107Q	RGB DRIVE AMP	Philips
IC602	TDA7266M/TDA7266S	SOUND-AMP, TDA7266M (MONO) TDA7266S (STEREO)	Philips
IC801S	KA500740RT (0765RT)	POWER IC (STR)	FIAIR CHILD
IC802	KA7632	CUSTOM REGULATOR (5V, 8V, 3.3V)	SEC
IC202	24C04	EEPROM	
PC801S	TCET1108 / LTV817B	PHOTO COUPLER	
ICS601	UPC1851B	Sound Processor (STEREO)	NEC

2-3 Semiconductor Base Diagrams

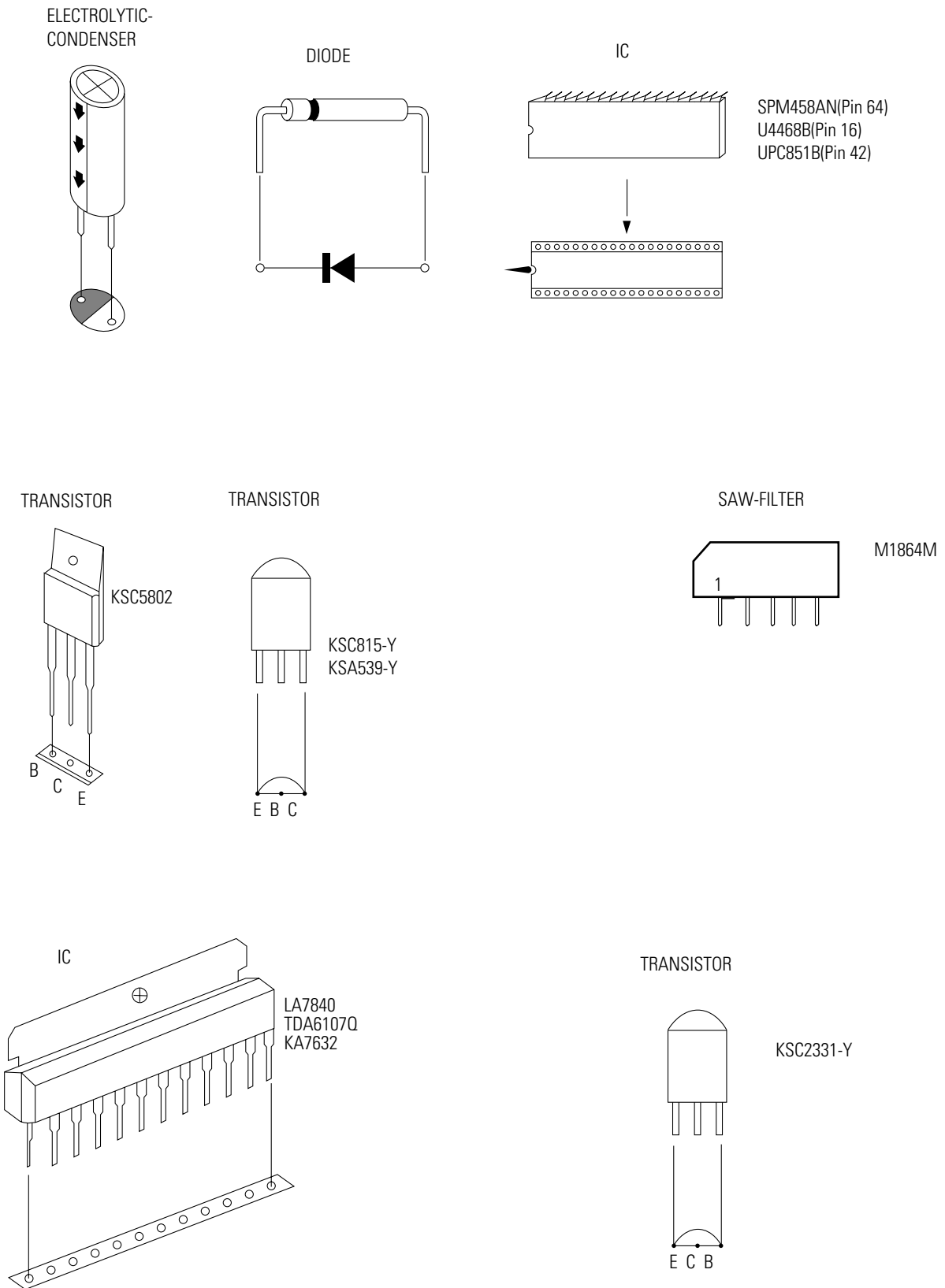
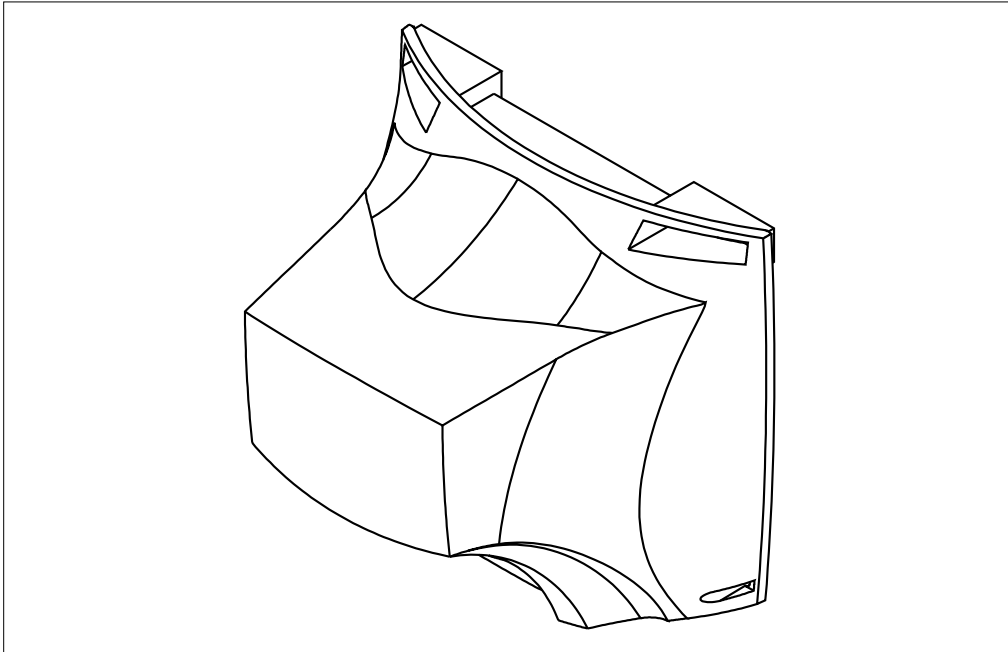


Fig. 2-1 Semiconductor Base Diagrams

MEMO

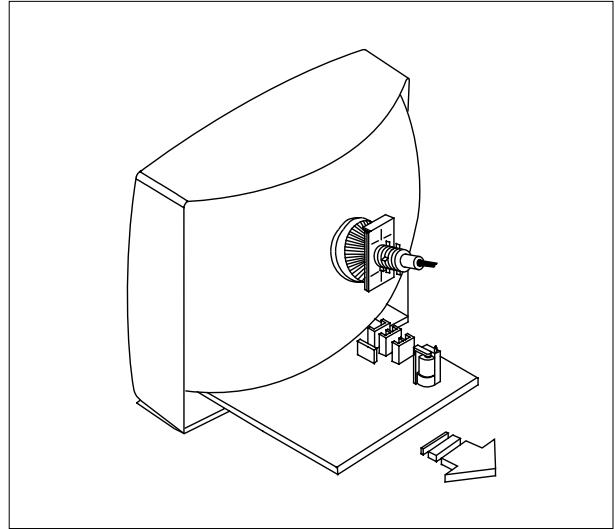
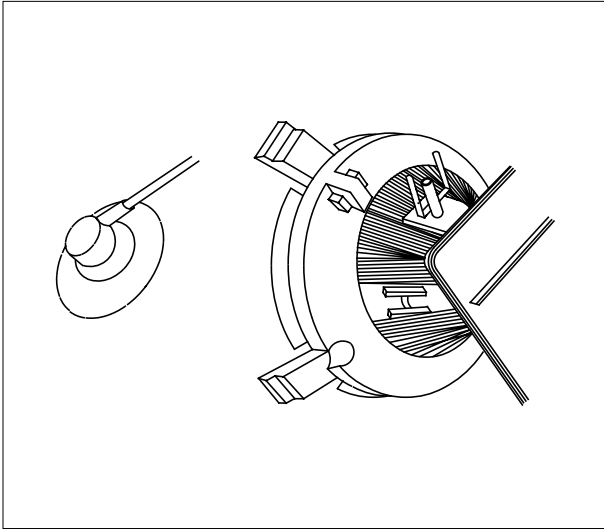
3. Disassembly and Reassembly

3-1 Back Cover Removal



1. After removing the screws, press the tension rib and pull the cabinet backwards.
2. To reassemble, press the tension rib (see diagram).

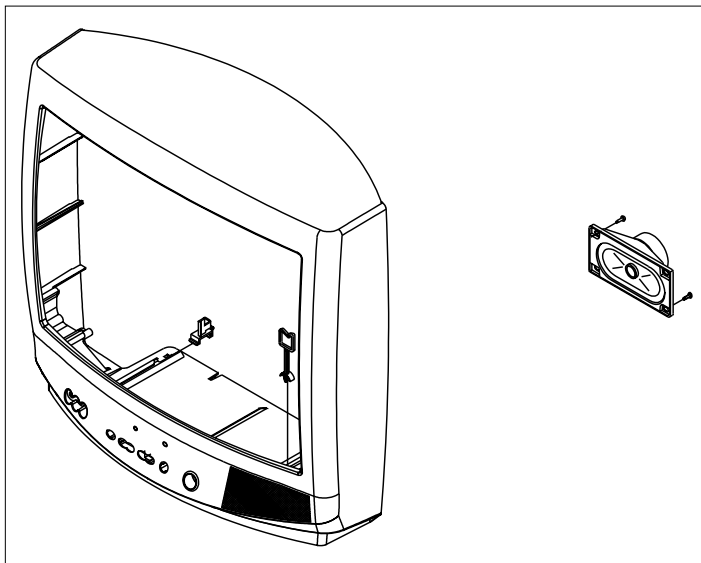
3-2 Main Board Removal



1. Separate the socket board from the CRT neck.
2. Remove the Anode Cap from the CRT.
3. Remove the main board by pulling it with both hands.

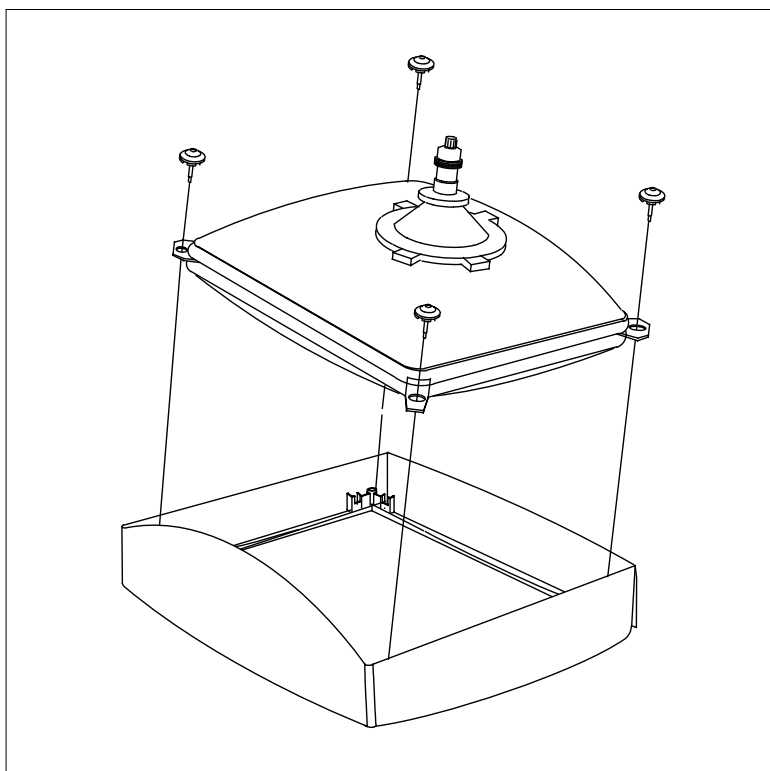
Warning: The FBT is charged with high voltage. Before removing the Anode Cap, discharge the voltage through one of the heat sinks on the main board.

3-3 Speaker Removal



1. Remove the speaker by pressing the tension rib.

3-4 CRT Removal



1. Spread a soft mat on the floor. Place the TV set face down.
2. Remove the 4 nuts mounting the CRT to the front cabinet. Lift the CRT.
3. Caution: Because of the high vacuum and large surface area of the picture tube, be careful while handling it: (1) Always lift the picture tube by grasping it firmly around the faceplate, (2) Never lift the tube by its neck. (3) Do not scratch the picture tube or apply excessive pressure. Fractures of the glass may cause an implosion.

MEMO

4. Alignment and Adjustments

4-1 Preadjustment

4-1-1 Factory Mode

1. Do not attempt these adjustments in the Video Mode.
2. The Factory Mode adjustments are necessary when either the EEPROM (IC902) or the CRT is replaced.
3. Do not tamper with the "Adjustment" screen of the Factory Mode menu. This screen is intended only for factory use.

4-1-2 When EEPROM (IC902) Is Replaced

1. When IC902 is replaced all adjustment data revert to initial values. It is necessary to re-program this data.
2. After IC902 is replaced, warm up the TV for 10 seconds.

4-1-3 When CRT Is Replaced

1. Make the following adjustments AFTER setting up after setting up purity and convergence :

White Balance
 Sub-Brightness
 Vertical Center
 Vertical Size
 Horizontal Size
 Fail Safe (This adjustment must be the last step).

2. If the EEPROM or CRT is replaced and set SC as 20(factory mode).

4-2 Factory/Service Mode

4-2-1 Procedure for the "Adjustment" Mode

1. This mode uses the standard remote control. The Service Mode is activated by entering the following remote-control sequence :
 - (1) DISPLAY → FACTORY.
 - (2) STAND-BY → MUTE → 1 → 8 → 2 → POWER ON.
2. The "SERVICE (FACTORY)" message will be displayed. The Service Mode has four components: ADJUST, OPTION , G2-ADJUST and RESET.
3. Access the Adjustment Mode by pressing the "VOLUME" keys (Up or Down). The adjustment parameters are listed in the accompanying table, and selected by pressing the CHANNEL keys (▲, ▼).
4. Selection sequences for the all system:

DOWN or UP key:

SCT>SBT>BLR>BLB>RG>GG>BG>VSL>VS>VA>HS>SC>CDL>STT>AKB>FS>NDL>LBS>NSR>SCBT>VOL>CAP>HBS>RP00>RP01>FMWS>AGC1>OMD>SCL>PWL>MUS>AGC>DSK>DVDB
5. The VOLUME keys increase or decrease the adjustment values (stored in the non-volatile memory) when Adjustment Mode is cancelled.
6. Cancel the Adjustment Mode by re-pressing the "FACTORY" or "Power OFF" keys.

4-2-2 Main Adjustment Parameter

NO	OSD	FUNCTION	RANGE	INITAL DATA	SETTING		REMARK
					19V	13V	
1	SCT	Sub Contrast	0 ~ 23	15	13	13	W/B (HIGH Y)
2	SBT	Sub Brightness	0 ~ 23	8	9	9	W/B A (LOW Y)
3	BLR	Black Level offset Red	0 ~ 63	35	31	31	W/B (LOW X, Y)
4	BLB	Black Level offset Blue	0 ~ 63	32	27	27	W/B (LOW X, Y)
5	RG	Red Gain	0 ~ 63	40	32	32	W/B (HIGH X, Y)
6	GG	Green Gain	0 ~ 63	30	25	25	FIX
7	BG	Blue Gain	0 ~ 63	42	31	31	W/B (HIGH X, Y)
8	VSL	Vertical Slope	0 ~ 63	30	31	31	Vertical SLOPE
9	VS	Vertical Shift	0 ~ 63	31	31	31	FIX
10	VA	Vertical Amplitude	0 ~ 63	20	40	20	Vertical SIZE
11	HS	Horizontal Shift	0 ~ 63	32	30	30	Horizontal SHIFT
12	SC	S-Correction	0 ~ 63	35	20	12	FIX
13	CDL	Cathode Drive Level	0 ~ 15	11	11	7	FIX
14	STT	Sub Tint	0 ~ 7	3	7	7	FIX
15	AKB	AKB On / off	0 ~ 1	0	0	0	FIX
16	FS	Filter Setting	0 ~ 15	32	37	37	FIX(STEREO)
17	NDL	NTSC Delay	0 ~ 15	1	1	1	FIX
18	LBS	Low Band Separation Set	0 ~ 63	32	32	32	FIX(STEREO)
19	NSR	NTSC Sub color	0 ~ 23	3	3	3	FIX
20	SCBT	Screen Brightness	0 ~ 63	35	45	45	FIX
21	VOL	Volume pre setting	0 ~ 63	10	10	10	FIX
22	CAP	Caption Position	0 ~ 15	12	12	12	FIX
23	HBS	High Band Separation Set	0 ~ 63	32	32	32	FIX(STEREO)
24	RP00	Ratio Pre / overshoot	0 ~ 1	1	1	1	FIX
25	RP01	Ratio Pre / overshoot	0 ~ 1	1	1	1	FIX
26	FMWS	Window Selection Sound PLL	0 ~ 1	0	0	0	FIX (Mono)
27	AGC1	IF AGC Speed	0 ~ 3	1	1	1	FIX (Nomal)
28	OMD	Offset IF Demodulator	0 ~ 63	32	32	32	FIX (No Crrrection)
29	SCL	Soft Clipping Level	0 ~ 3	3	1	1	FIX (Off)
30	PWL	Peak White Limitting	0 ~ 15	15	13	13	FIX (100%)
31	MUS	Matrix USA	0 ~ 1	0	0	0	FIX (Mono)
32	AGC	Automatic Gain Control	0 ~ 63	33	33	33	FIX
33	DSK	Dynamic Skin Tone	0 ~ 1	0	0	0	FIX
34	DVDB	DVD Bright Offset	0 ~ 10	5	4	4	FIX

4-2-3 Option Bytes

In the Service Mode, various can be selected via the Option Table. Example:

Option Table : xx xx

	OSD	SETTING	REMARK
1	VIDEO MUTE (When swiching channel)	ON	- 800msec Mute Time(Tri-norma)
		OFF	- Unavailable
2	AUDIO	STEREO	- Zenith stereo (WITH IN UPC1851B)
		LINE STEREO	- Line stereo (WITH IN UPC1851B)
		MONO	- Mono (WITH OUT UPC1851B)
3	TURBO	ON	- Stereo/L STEREO Model
		OFF	- Mono Model
4	ZOOM	ZOOM	- Nornal / Zoom
		NOMAL	- Nomal
5	AUTO POWER ON	ON	- The power is switched on automatically when detaching the Master S/W Auto On
		OFF	- Tact S/W Model
6	SOUND MUTE (NO SIGNAL)	OFF	- Unavailable
		ON	- Available
7	LANGUAGE	ENGLISH	- Start Language Select
		ESPANOL	
		FRENCH/PORTU	
8	HOTEL MODE	OFF	- Unavailable
		ON	- Available
9	CATV	AIR/STD/HRC/IRC	
		AIR/STD/HRC/AFN	- U.S Army
10	X-RAY	ON	- Available (U.S.A, Army)
		OFF	- Unavailable (South America)
11	V-CHIP	ON	- Available (U.S.A)
		OFF	- Unavailable (Canada)
12	AV Option	TV ↔ AV	
		TV ↔ AV ↔ DVD	
13	DEMO	ON	- Available (South America)
		OFF	- Unavailable (U.S.A)

4-3 Other Adjustments

4-3-1 General

1. Usually, a color TV needs only slight touch-up adjustment upon installation. Check the basic characteristics such as height, horizontal and vertical sync and focus.
2. The picture should have good black and white details. There should be no objectionable color shading; if color shading is present, perform the purity and convergence adjustments described below.
3. Use the specified test equipment or its equivalent.
4. Correct impedance matching is essential.
5. Avoid overload. Excessive signal from a sweep generator might overload the front-end of the TV. When inserting signal markers, do not allow the marker generator to distort test results.
6. Connect the TV only to an AC power source with voltage and frequency as specified on the backcover nameplate.
7. Do not attempt to connect or disconnect any wires while the TV is turned on. Make sure that the power cord is disconnected before replacing any parts.
8. To protect against shock hazard, use an isolation transformer.

4-3-2 Automatic Degaussing

A degaussing coil is mounted around the picture tube, so that external degaussing after moving the TV should be unnecessary. But the receiver must be properly degaussed upon installation.

The degaussing coil operates for about 1 second after the power is switched ON. If the set has been moved or turned in a different direction, disconnect its AC power for at least 30 minutes.

If the chassis or parts of the cabinet become magnetized, poor color purity will result. If this happens, use an external degaussing coil. Slowly move the degaussing coil around the faceplate of the picture tube and the sides and front of the receiver. Slowly withdraw the coil to a distance of about 6 feet before removing power.

4-3-3 High Voltage Check

CAUTION: There is no high voltage adjustment on this chassis. The B+ power supply must be set to +122.5 volts (Full color bar input and normal picture level).

1. Connect a digital voltmeter to the second anode of the picture tube.
2. Turn on the TV. Set the Brightness and Contrast controls to minimum (zero beam current).
3. The high voltage should not exceed 30KV.
4. Adjust the Brightness and contrast controls to both extremes. Ensure that the high voltage does not exceed 30KV under any conditions.

4-3-4 FOCUS Adjustment

1. Input a black and white signal.
2. Adjust the tuning control for the clearest picture.
3. Adjust the FOCUS control for well defined scanning lines in the center area of the screen.

4-3-5 Cathode Voltage Adjustment (Screen Adjustment)

1. Connect CRT socket pin GK to an oscilloscope probe.
2. Input a gray scale pattern. (Use a pattern generator, PM5518)
3. Use the P mode key (on the remote control) for the STANDARD picture.
4. Adjust the Screen VR (on the FBT) so that the voltage on the oscilloscope becomes $125 \pm 2.5V$ (See Fig. 4-1).

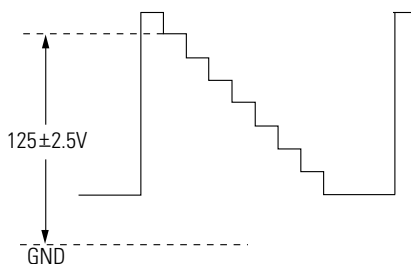


Fig. 4-1

4-3-6 Purity Adjustment

1. Warm up the receiver for at least 20 minutes.
2. Plug in the CRT deflection yoke and tighten the clamp screw.
3. Plug the convergence yoke into the CRT and set in as shown in Fig. 4-2.
4. Input a black and white signal.
5. Fully demagnetize the receiver by applying an external degaussing coil.
6. Turn the CONTRAST and BRIGHTNESS controls to maximum.
7. Loosen the clamp screw holding the yoke. Slide the yoke backward or forward to provide vertical green belt. (Fig. 4-3).
8. Tighten the convergence yoke.
9. Slowly move the deflection yoke forward, and adjust for the best overall green screen.
10. Temporarily tighten the deflection yoke.
11. Produce blue and red rasters by adjusting the low-light controls. Check for good purity in each field.
12. Tighten the deflection yoke.

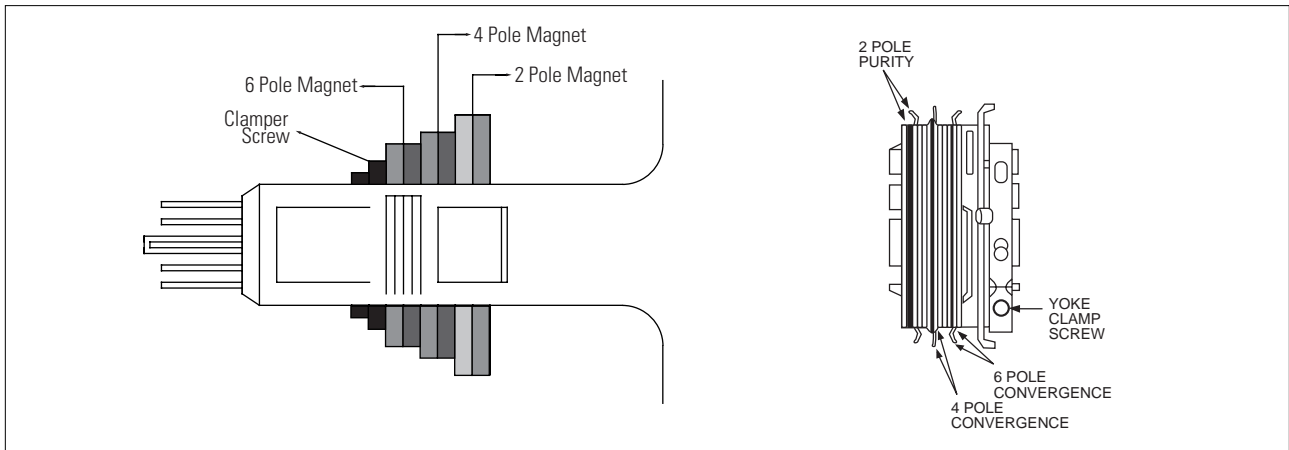


Fig. 4-2 Convergence Magnet Assembly

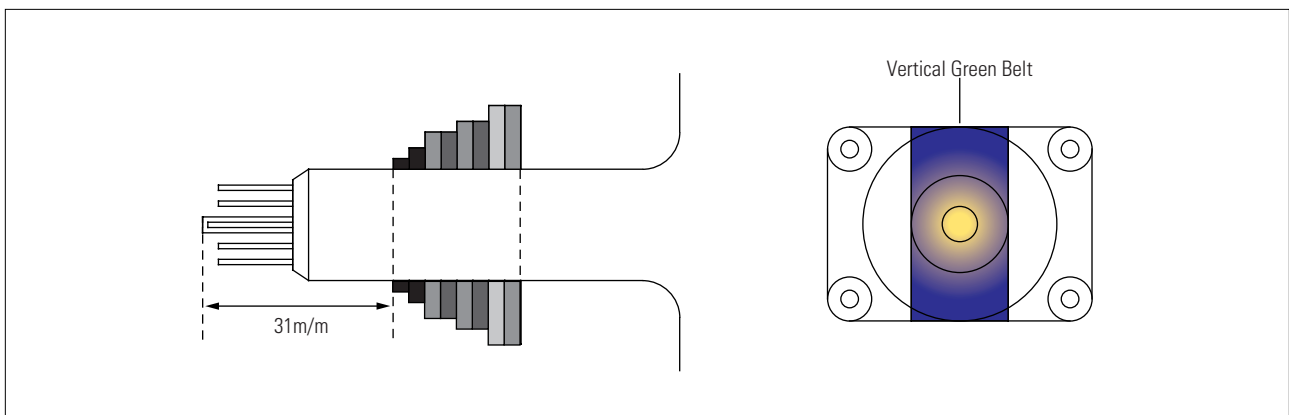


Fig. 4-3 Center Convergence Adjustment

4-3-7 White Balance Adjustment

(a) Set up

1. Warm up the TV for at least 30 minutes in the Aging Mode (OSD White). This mode is displayed by entering the following sequence:

DISPLAY →FACTORY → FACTORY

2. Input a Toshiba pattern.

(b) Low-Light Adjustment

1. Set SBT to 1.2 fL in the Factory Service Mode with using CA100. See Fig. 4-4.
2. Adjust RG,BG so that the levels are suitable to each local area.

(c) High-Light Adjustment

1. Set SCT to 50FL(13V : 60FL) in the Factory Service Mode with using CA100. See Fig. 4-4 .

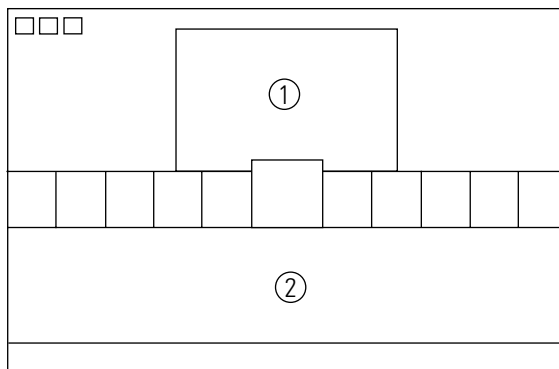


Fig. 4-4

4-3-8 Center Convergence Adjustment

1. Warm up the receiver for at least 20 minutes.
2. Adjust the two tabs of the 4 pole magnets to change the angle between them. Superimpose the red and blue vertical lines in the center area of the screen.
3. Adjust the Brightness and Contrast controls for a well defined picture.
4. Adjust the two-tab pairs of the 4 pole magnets, and change the angle between them. Superimpose the red and the blue vertical lines in the center area of the screen.
5. Turn the both tabs at the same time, keeping the angle constant, and superimpose the red and blue horizontal line in the center of the screen.
6. Adjust the two-tab pairs of the 6-pole magnets to superimpose the red and blue line onto the green. (Changing the angle affects the vertical lines, and rotating both magnets affects the horizontal lines.)
7. Repeat adjustments 2~6, if necessary.
8. Since the 4-pole magnets and 6-pole magnets interact, the dot movement is complex (Fig. 4-5).



Fig. 4-5 Center Convergence Adjustment

4-3-9 RF AGC Adjustment

Set the AGC data to 33 (Factory Mode).

4-3-10 Sub-Color Adjustment

Set NSR data to 3 (Factory Mode).

4-3-11 Geometry Adjustment

SC → VS → VA → VSL → HS

1. Input a lion head pattern.
2. Set the SC (S-Correction) as 20(13V : 12) and VS (Vertical Shift) 31 so that the lion head circle becomes oval.
3. Adjust with VA (Vertical Amplitude) so that the top margin of the picture is 4.

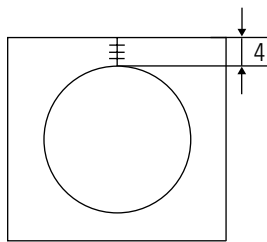


Fig. 4-7

4. Adjust with VSL (Vertical-Slope) so that the bottom margin of the picture is 4.

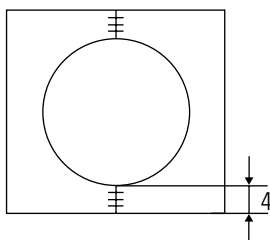


Fig. 4-8

5. Adjust with HS (Horizontal Shift) so that the lion-head pattern and CRT centers are aligned.

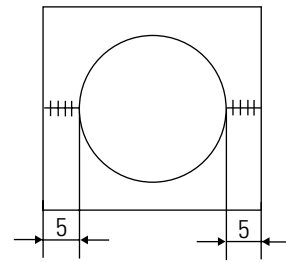
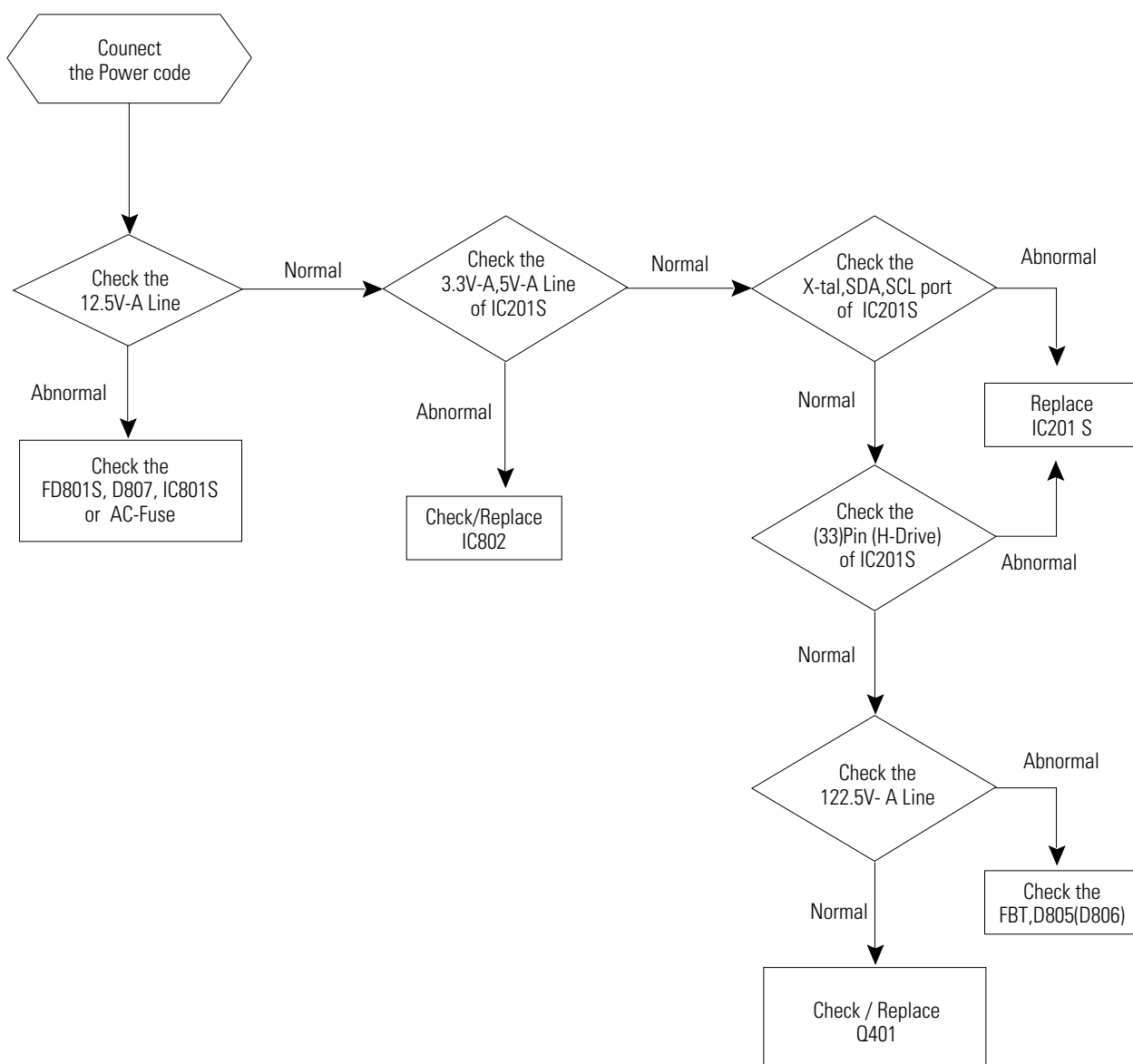


Fig. 4-9

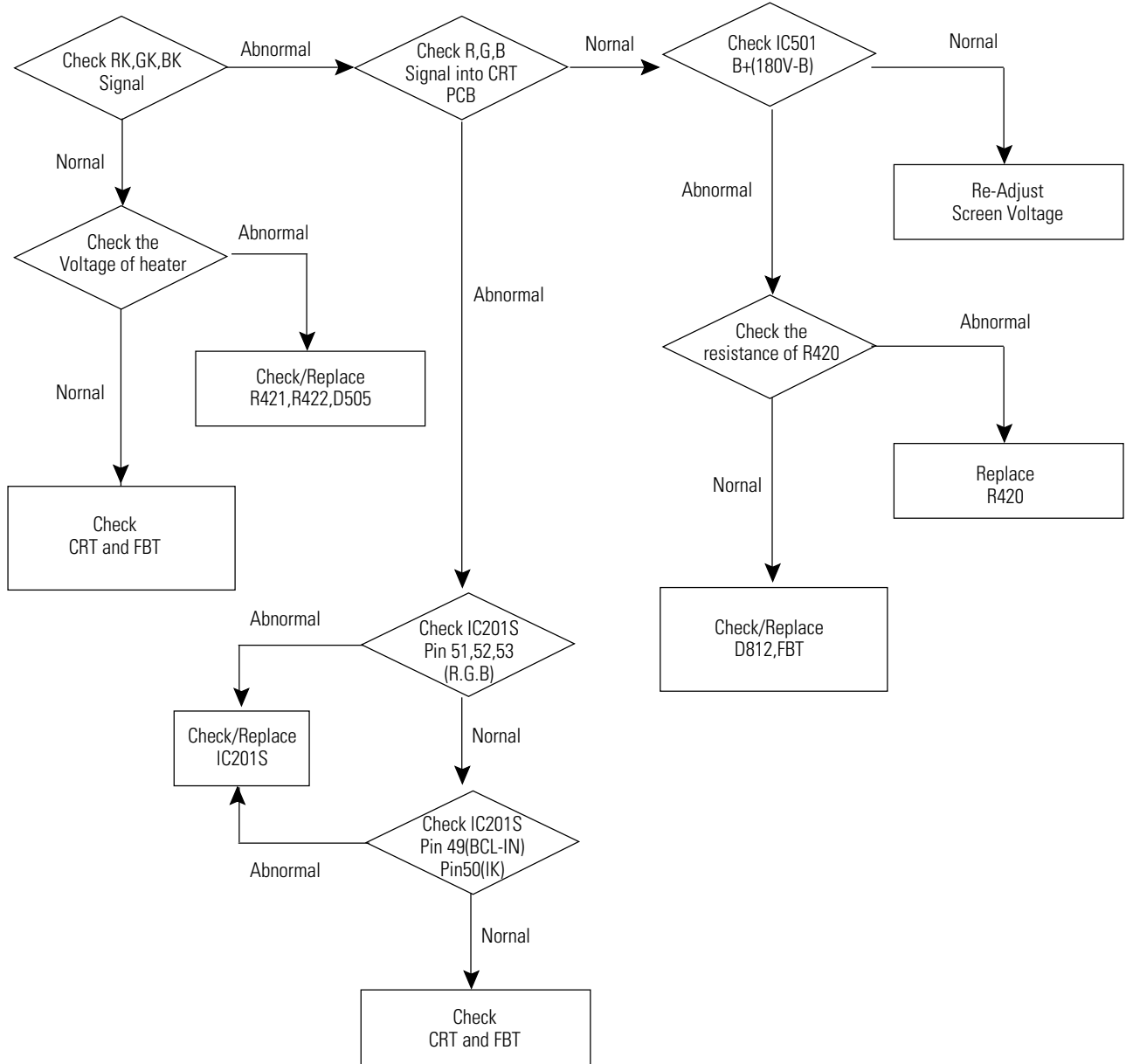
6. Adjust HS (Horizontal Shift) so that the left and right margins of the picture are 5.

5. Troubleshooting

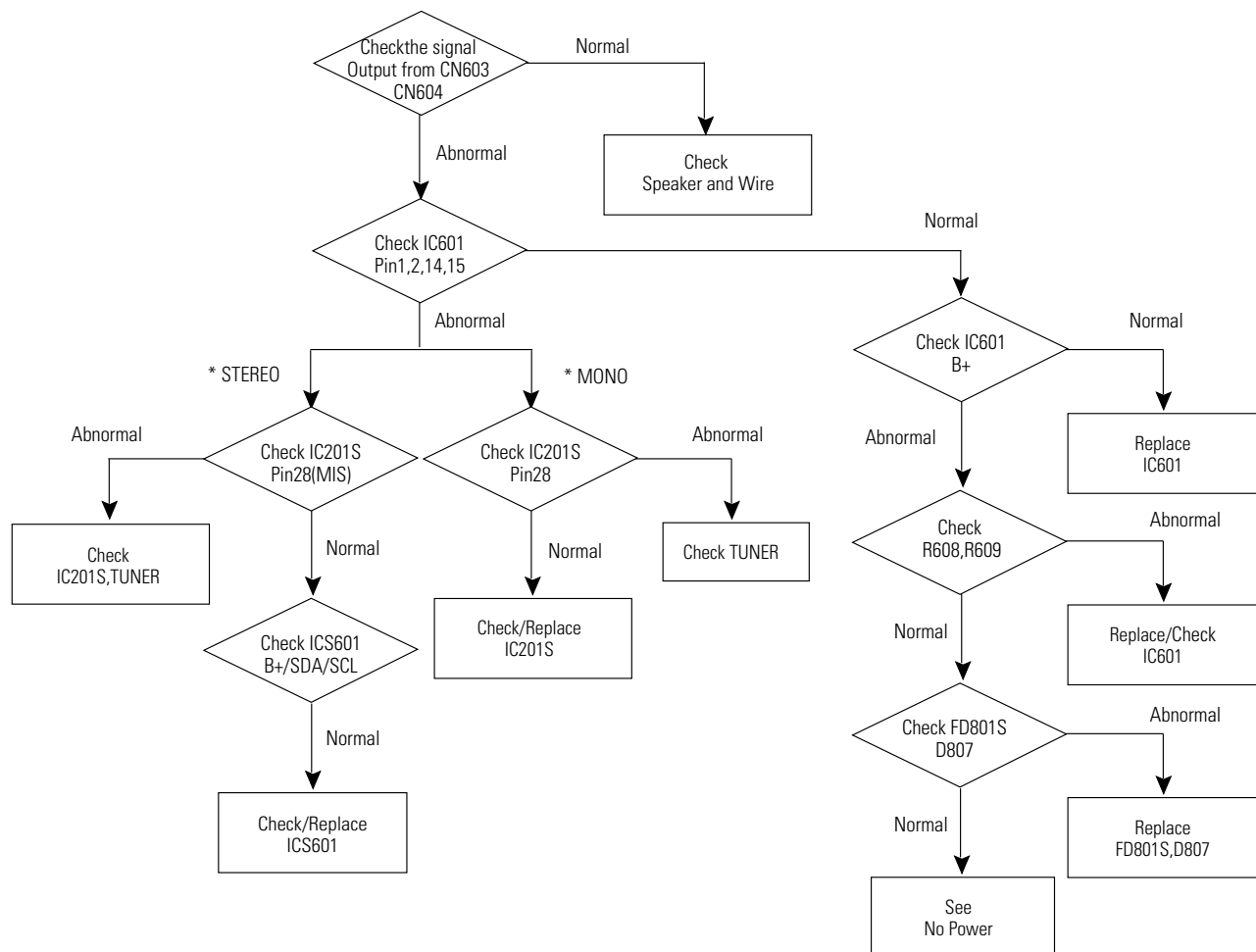
5-1 No Power



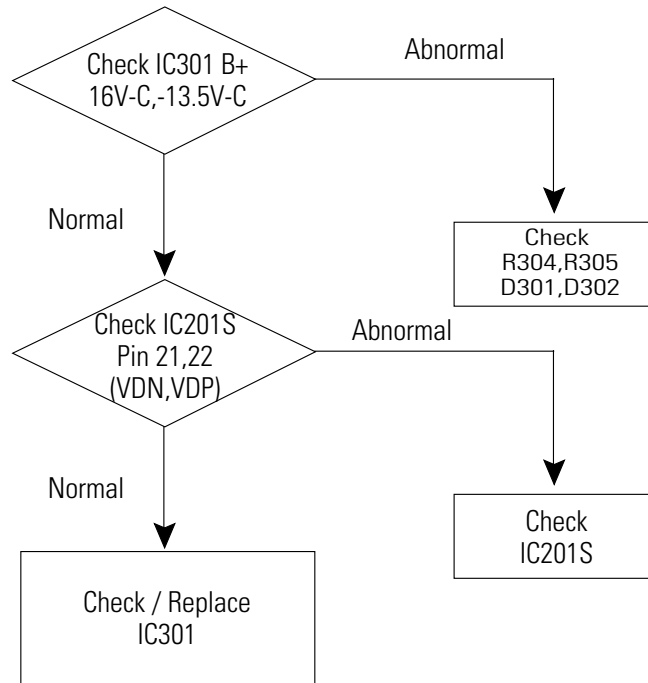
5-2 No Video (Sound OK)



5-3 No Sound (Video OK)

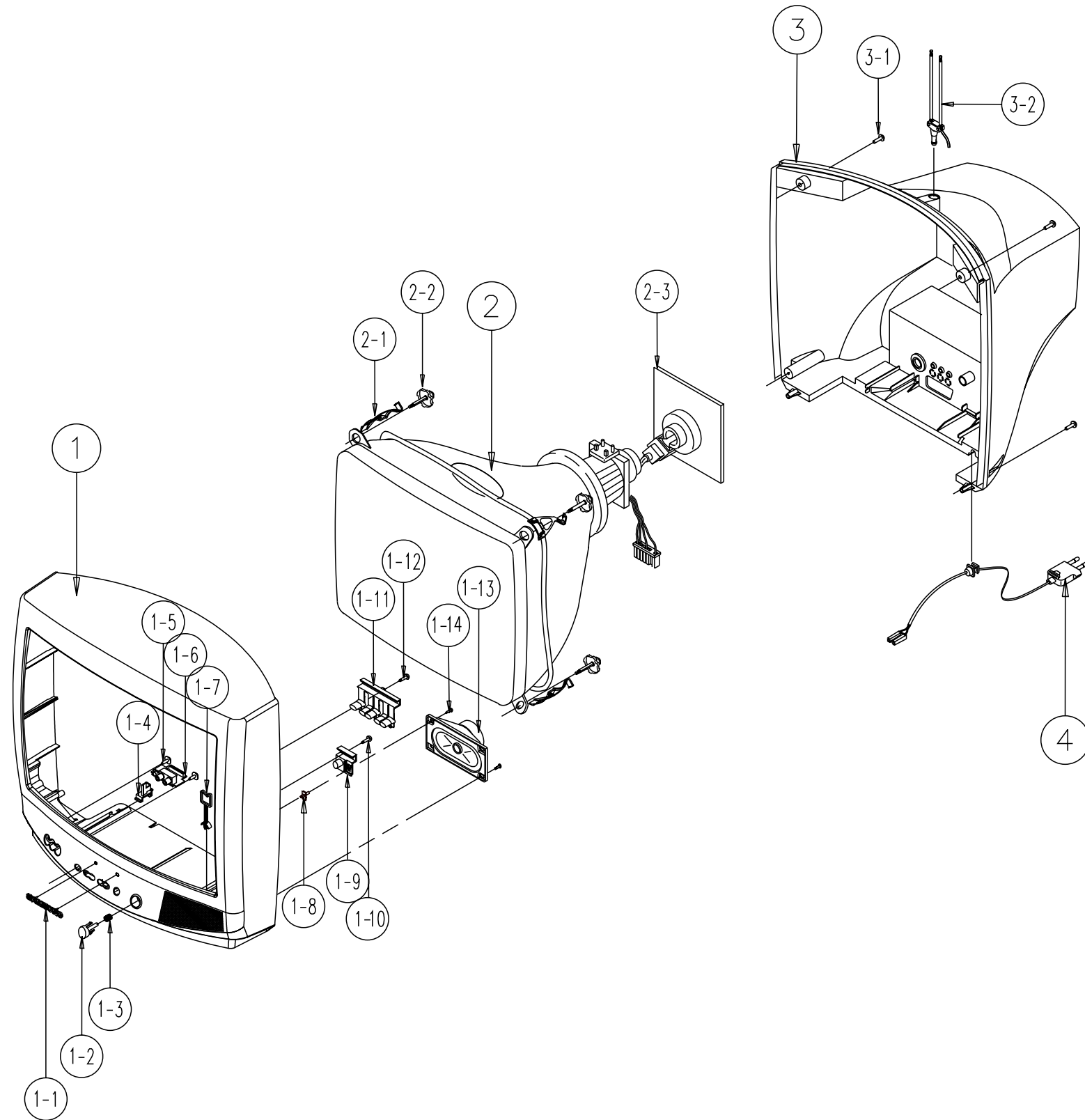


5-4 Vertical Lines Appear on Screen



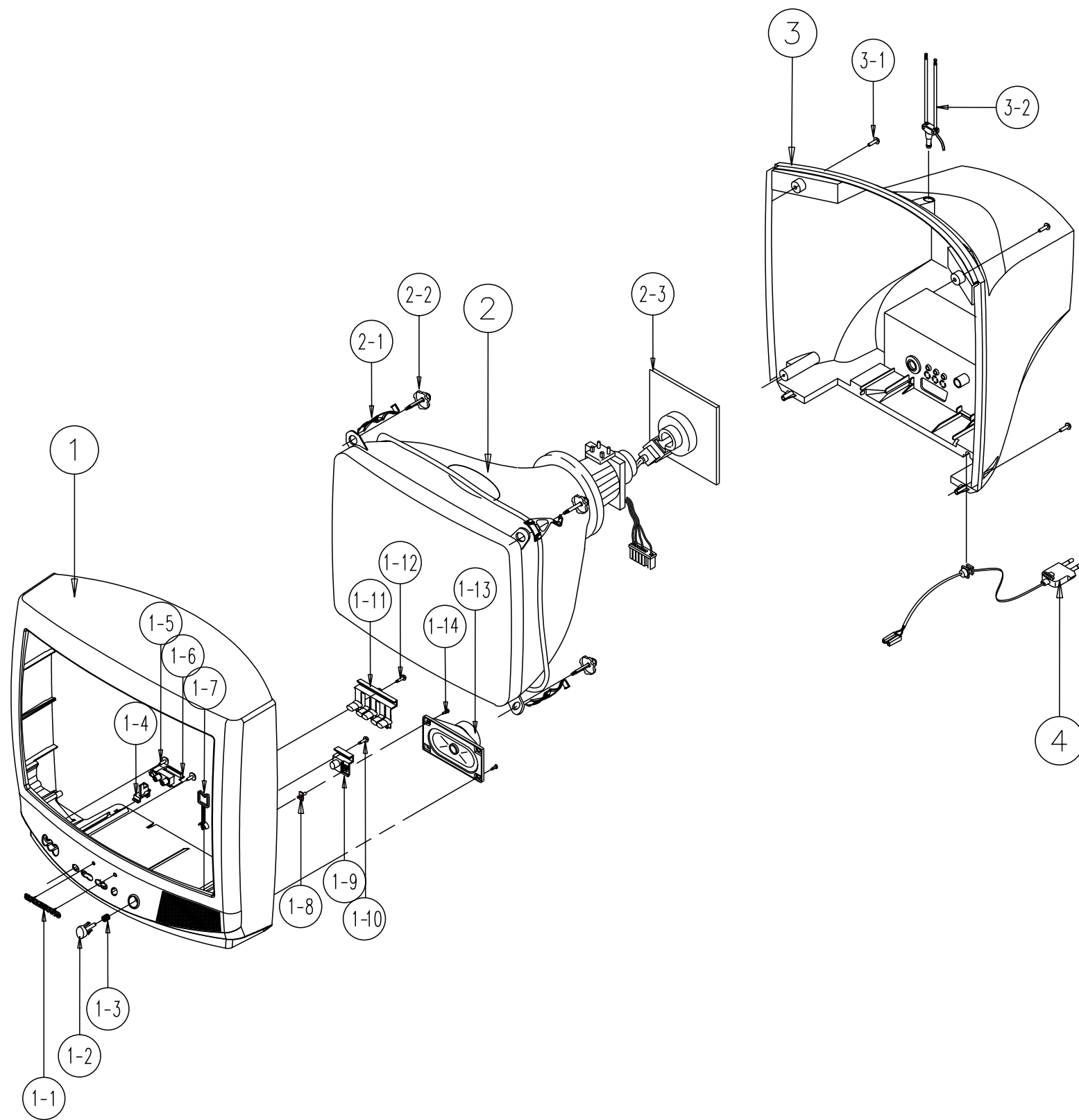
6. Exploded View & Parts List

6-1 TXM1967X/XAA



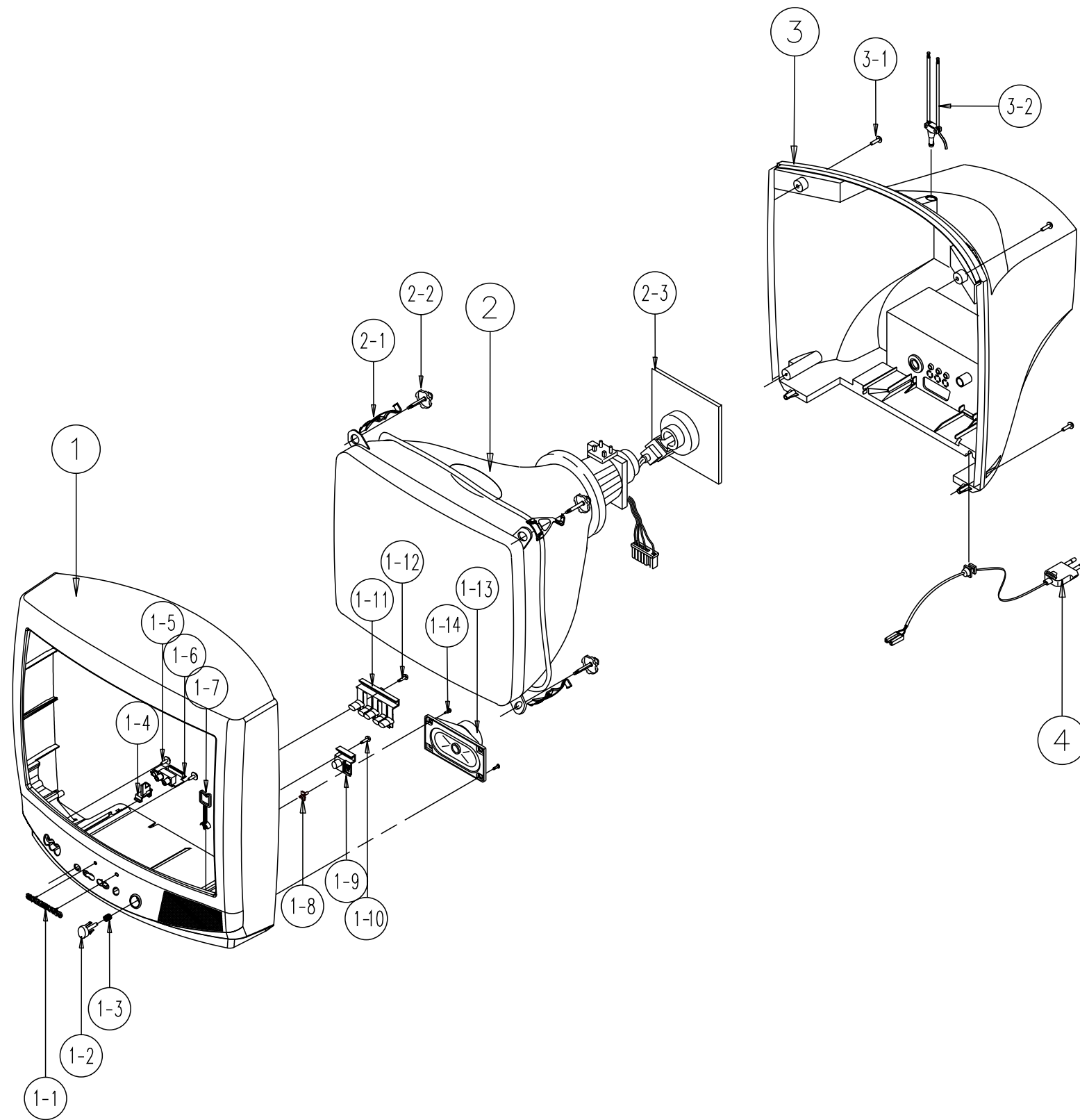
No	Code No	Description	Specification	Q'ty	Remark
1	AA64-00152A	CABINET-FRONT;20F2,BK708P,HIPS,V0,BLK		1	F/C
1-1	AA64-70127F	BADGE-BRAND;AL,SS,SILVER,R800		1	BADGE
1-2	AA64-00156B	KNOB-POWER;-;20F2,NO-SILK,ABS,HB,BLK		1	KP
1-3	AA61-60003J	SPRING-CS;-;SUS304,0.5,OD6,H		1	SPRING
1-4	AA61-40113A	STOPPER-PCB;-;ABS,HB,NTR.		1	STOPPER
1-5		ASSY-PCB,A/V FRONT		1	
1-6	6006-001095	SCREW-ASS'Y TAPT;WP,BH,+,M4,L12,ZPC(YEL)		2	PA+CF
1-7	AA65-30018A	CLAMP-WIRE;-;NYLON6.6,-;DATL		1	CWIRE2
1-8	AA64-00158B	INDICATOR-LED;20F2,ACRYL,CLR,		1	IL
1-9	AA64-00157B	WINDOW-REMOCON;-;20F2,-;PC,VO,VIOLET,-		1	WR
1-10	6002-000512	SCREW-TAPPING;RH,+,2,M4,L12,ZP		1	WR+CF
1-11	AA64-00155B	KNOB-CONTROL;-;20F2,-;ABS,HB,BLK		1	KC
1-12	6002-000512	SCREW-TAPPING;RH,+,2,M4,L12,ZP		1	KF+CF
1-13	AA96-10141A	ASSY-SPEAKER;3W,80HMx1,700		1	A/SPK
1-14	6003-001026	SCREW-TAPTITE;RH,+,B,M4,L15,ZPC(BLK),SWR		2	SPK+CF
2	AA03-10029W	CRT-COLOR;A48KRD82X(H),+380MG,SEMI-TINT.		1	CRT
2-1	AA27-00200A	COIL DEGAUSSING;;1.2MH,10%,30T,1.5OHM,20		1	D-COIL
2-2	AA60-10050R	SCREW-ASSY;WC,HH,+,M5,L31.5,SWR		4	CRT+CF
3	AA64-00154B	CABINET-BACK;-;20F2 R1,-;HIPS,V0,BLK,-;		1	B/C
3-1	6003-001026	SCREW-TAPTITE;RH,+,B,M4,L15,ZPC(BLK),SWR		4	CB+CF
3-2					
4	AA96-20129A	ASSY-POWER,CORD;-;EP2/YES,H/C300,ME301P,		1	PWR/A

6-2 TXM1997X/XAA



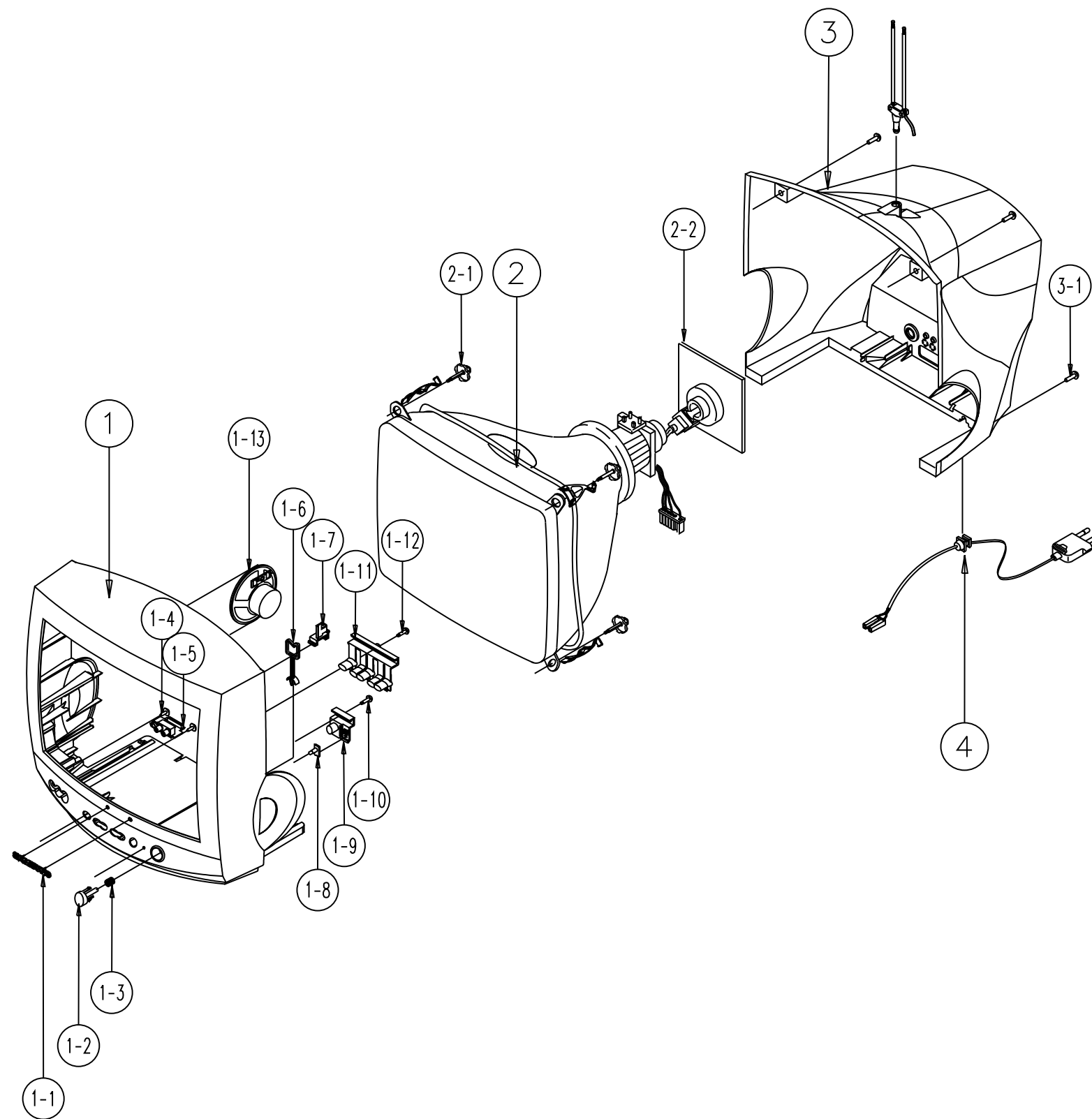
No	Code No	Description	Specification	Q'ty	Remark
1	AA64-00152A	CABINET-FRONT;20F2,BK708P,HIPS,V0,BLK		1	F/C
1-1	AA64-70127F	BADGE-BRAND;AL,SS,SILVER,R800		1	BADGE
1-2	AA64-00156B	KNOB-POWER;- ,20F2,NO-SILK,ABS,HB,BLK		1	KP
1-3	AA61-60003J	SPRING-CS;- ,SUS304,0.5,0D6,H		1	SPRING
1-4	AA61-40113A	STOPPER-PCB;- ,ABS,HB,NTR.		1	STOPPER
1-5		ASSY-PCB,A/V		1	
1-6	6006-001095	SCREW-ASS'Y TAPT;WP,BH,+ ,M4,L12,ZPC(YEL)		2	PA+CF
1-7	AA65-30018A	CLAMP-WIRE;- ,NYLON6.6,- ,DATL		1	CWIRE2
1-8	AA64-00158B	INDICATOR-LED;20F2,ACRYL,CLR,		1	IL
1-9	AA64-00157B	WINDOW-REMOCON;- ,20F2,- ,PC,VO,VIOLET,-		1	WR
1-10	6002-000512	SCREW-TAPPING;RH,+ ,2,M4,L12,ZP		1	WR+CF
1-11	AA64-00155B	KNOB-CONTROL;- ,20F2,- ,ABS,HB,BLK		1	KC
1-12	6002-000512	SCREW-TAPPING;RH,+ ,2,M4,L12,ZP		1	KF+CF
1-13	3001-001020	SPEAKER;3W,8ohm,90dB,140Hz		1	SPK
1-14	6003-001026	SCREW-TAPTITE;RH,+ ,B,M4,L15,ZPC(BLK),SWR		2	SPK+CF
2	AA03-10029W	CRT-COLOR;A48KRD82X(H),+380MG,SEMI-TINT.		1	CRT
2-1	AA27-00200A	COIL DEGAUSSING;1.2MH,10%,30T,1.5OHM,20		1	D-COIL
2-2	AA60-10050R	SCREW-ASSY;WC,HH,+M5,L31.5,SWR		4	CRT+CF
2-3	3704-001105	SOCKET-CRT;11P,20PI,26.5PI,NI,-		1	V999S
3	AA64-00154B	CABINET-BACK;- ,20F2 R1,- ,HIPS,V0,BLK,- ,		1	B/C
3-1	6003-001026	SCREW-TAPTITE;RH,+ ,B,M4,L15,ZPC(BLK),SWR		4	CB+CF
4	AA96-20129A	ASSY-POWER,CORD;- ,EP2/YES,H/C300,ME301P,		1	PWR/AC

6-3 TXM1997X/XAC



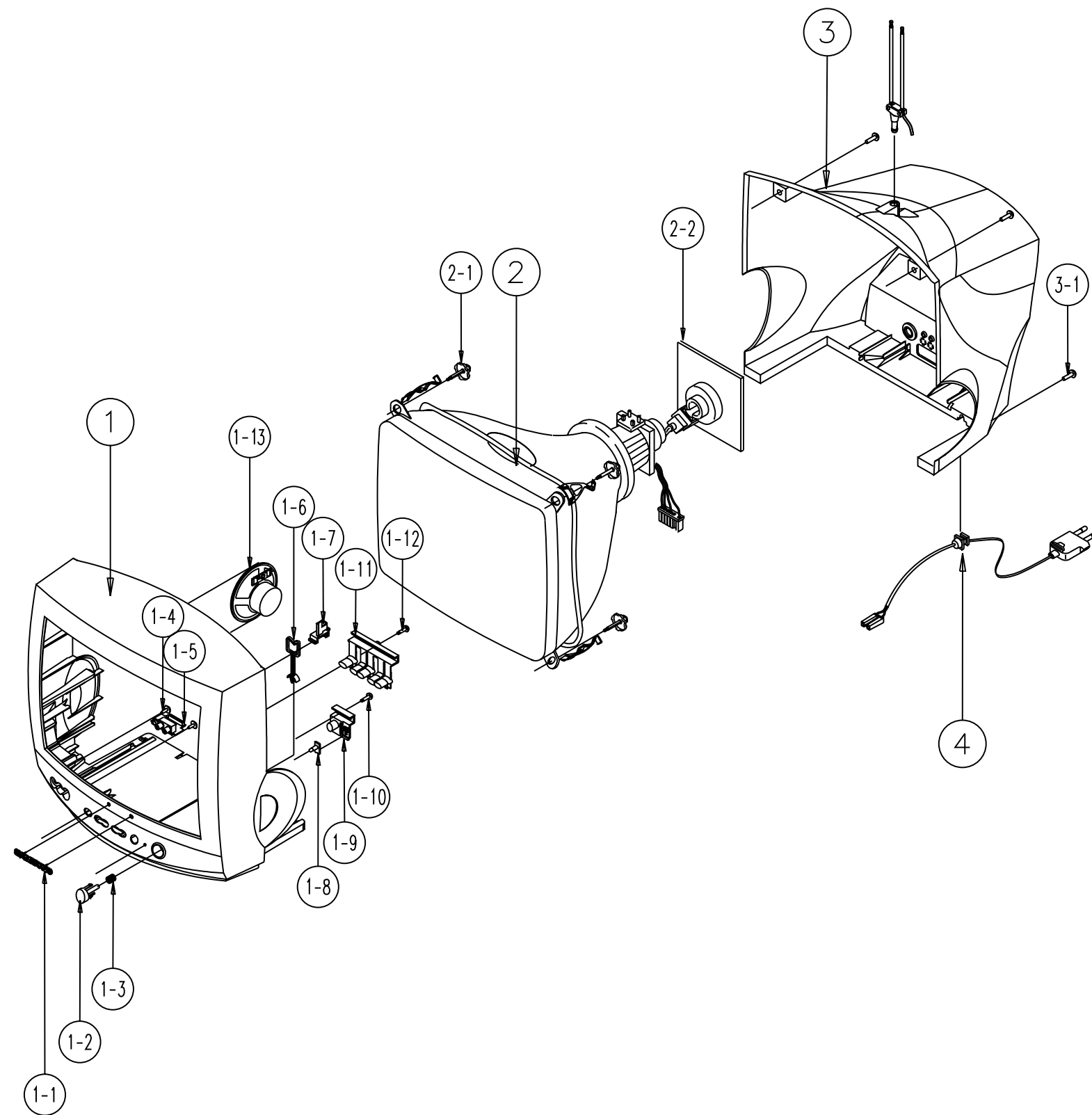
No	Code No	Description	Specification	Q'ty	Remark
1	AA64-00152A	CABINET-FRONT;20F2,BK708P,HIPS,VO,BLK		1	F/C
1-1	AA64-70127F	BADGE-BRAND;AL,SS,SILVER,R800		1	BADGE
1-2	AA64-00156B	KNOB-POWER;- ,20F2,NO-SILK,ABS,HB,BLK		1	KP
1-3	AA61-60003J	SPRING-CS;-,-,SUS304,0.5,OD6,H		1	SPRING
1-4	AA61-40113A	STOPPER-PCB;- ,ABS,HB,NTR.		1	STOPPER
1-5		ASSY-PCB,A/V FRONT		1	
1-6	6006-001095	SCREW-ASS'Y TAPT;WP,BH,+ ,M4,L12,ZPC(YEL)		2	PA+CF
1-7	AA65-30018A	CLAMP-WIRE;- ,NYLON6.6,-,-,DATL		1	CWIRE2
1-8	AA64-00158B	INDICATOR-LED;20F2,ACRYL,CLR,		1	IL
1-9	AA64-00157B	WINDOW-REMOCON;- ,20F2,-,PC,VO,VIOLET,-		1	WR
1-10	6002-000512	SCREW-TAPPING;RH,+ ,2,M4,L12,ZP		1	WR+CF
1-11	AA64-00155B	KNOB-CONTROL;- ,20F2,-,ABS,HB,BLK		1	KC
1-12	6002-000512	SCREW-TAPPING;RH,+ ,2,M4,L12,ZP		1	KF+CF
1-13	3001-001020	SPEAKER;3W,8ohm,90dB,140Hz		1	SPK
1-14	6003-001026	SCREW-TAPTITE;RH,+ ,B,M4,L15,ZPC(BLK),SWR		2	SPK+CF
2	AA03-10029W	CRT-COLOR;A48KRD82X(H),+380MG,SEMI-TINT.		1	CRT
2-1	AA27-00200A	COIL DEGAUSSING;- ,1.2MH,10%,30T,1.5OHM,20		1	D-COIL
2-2	AA60-10050R	SCREW-ASSY;WC,HH,+ ,M5,L31.5,SWR		4	CRT+CF
2-3	3704-001105	SOCKET-CRT;11P,20PI,26.5PI,NI,-		1	V999S
3	AA64-00154B	CABINET-BACK;- ,20F2 R1,-,HIPS,VO,BLK,-,-		1	B/C
3-1	6003-001026	SCREW-TAPTITE;RH,+ ,B,M4,L15,ZPC(BLK),SWR		4	CB+CF
4	AA96-20129A	ASSY-POWER,CORD;- ,EP2/YES,H/C300,ME301P,		1	PWR/AC

6-4 TXM1367X/XAA



No	Code No	Description	Specification	Q'ty	Remark
1	AA64-00162A	CABINET-FRONT;14F2,BK708P,HIPS,V0,BLK		1	F/C
1-1	AA64-70127F	BADGE-BRAND;AL,SS,SILVER,R800		1	BADGE
1-2	AA64-00165B	KNOB-POWER;14F2,NO-SILK,ABS,HB,BLK		1	KP
1-3	AA61-60003J	SPRING-CS;-,-,SUS304,0.5,0D6,H		1	SPRING
1-4		ASSY-PCB,A/V FRONT		1	
1-5	6006-001095	SCREW-ASS'Y TAPT;WP,BH,+,M4,L12,ZPC(YEL)		2	PA+CF
1-6	AA65-30105A	CLAMP-WIRE;NYLON 66N,V0,NTR,15MM		1	CWIRFC
1-7	AA61-40113A	STOPPER-PCB;-,-ABS,HB,NTR.		1	STTOPER
1-8	AA64-00167B	INDICATOR-LED;14F2,ACRYL,CLR,		1	INLED
1-9	AA64-00166B	WINDOW-REMOCON;14F2,PC,VIOLET		1	WINDOW
1-10	6002-000512	SCREW-TAPPING;RH,+,2,M4,L12,ZP		2	WR+CF
1-11	AA64-00164B	KNOB-CONTROL;14F2,ABS,HB,BLK		1	KC
1-12		SCREW-TAPPING;RH,+,2,M4,L12,ZP		1	
1-13	AA96-10014A	ASSY-SPEAKER;80HM,2.5W,3(2),F/200		1	A/SPK
2	AA03-10002M	CRT-COLOR;-,-A34KQV42X,0MG,14,		1	CRT
2-1	6006-001095	SCREW-ASS'Y TAPT;WP,BH,+,M4,L12,ZPC(YEL)		2	CRT+CF
2-2	3704-001089	SOCKET CRT;9P,22.5PI,12PI,SN,13		1	V999S
3	AA64-00259A	CABINET-BACK;-,-14F2,-,HIPS,V0,BLK.		1	B/C
3-1	6003-001026	SCREW-TAPTITE;RH,+,B,M4,L15,ZPC(BLK),SWR		4	CB+CF
4	AA96-20129C	ASSY-POWER,CORD;-,-EP2/YES,H/C200,ME301P,		1	PWR/AC

6-5 TXM1367X/XAC



No	Code No	Description	Specification	Q'ty	Remark
1	AA64-00162A	CABINET-FRONT;14F2,BK708P,HIPS,V0,BLK		1	F/C
1-1	AA64-70127F	BADGE-BRAND;AL,SS,SILVER,R800		1	BADGE
1-2	AA64-00165B	KNOB-POWER;14F2,NO-SILK,ABS,HB,BLK		1	KP
1-3	AA61-60003J	SPRING-CS;-,-,SUS304,0.5,OD6,H		1	SPRING
1-4		ASSY-PCB,A/V FRONT		1	
1-5	6006-001095	SCREW-ASS'Y TAPT;WP,BH,+,M4,L12,ZPC(YEL)		2	PA+CF
1-6	AA65-30105A	CLAMP-WIRE;NYLON 66N,V0,NTR,15MM		1	CWIRFC
1-7	AA61-40113A	STOPPER-PCB;-,-ABS,HB,NTR.		1	STTOPER
1-8	AA64-00167B	INDICATOR-LED;14F2,ACRYL,CLR,		1	INLED
1-9	AA64-00166B	WINDOW-REMOCON;14F2,PC,VIOLET		1	WINDOW
1-10	6002-000512	SCREW-TAPPING;RH,+,2,M4,L12,ZP		1	WR+CF
1-11	AA64-00164B	KNOB-CONTROL;14F2,ABS,HB,BLK		1	KC
1-12		SCREW-TAPPING;RH,+,2,M4,L12,ZP		1	
1-13	AA96-10014A	ASSY-SPEAKER;80HM,2.5W,3(2),F/200		1	A/SPK
2	AA03-10002M	CRT-COLOR;-,-A34KQV42X,0MG,14,		1	CRT
2-1	AA60-10050Q	SCREW-ASSY;WC,HH,M5,L26.5,SWRCH,		4	CRT+CF
2-2	3704-001089	SOCKET CRT;9P,22.5PI,12PI,SN,13		1	V999S
3	AA64-00259A	CABINET-BACK;-,-14F2,-,HIPS,V0,BLK.		1	B/C
3-1	6003-001026	SCREW-TAPTITE;RH,+,B,M4,L15,ZPC(BLK),SWR		4	CB+CF
4	AA96-20129C	ASSY-POWER,CORD;-,-EP2/YES,H/C200,ME301P,		1	PWR/AC

7. Electrical Parts List

7-1 TXM1967X/XAA

Loc. No.	Code No.	Description ; Specification	Remark	Loc. No.	Code No.	Description ; Specification	Remark
ASSY-CHASSIS							
1	A/CHASSI	AA91-04207A	ASSY-CHASSIS;K15D,19,U5A	...	D304	0402-001105	DIODE-RECTIFIER;ERB43-04SV1,40
..2	AC+BC	AA65-30008A	CLAMP-CORD;-;PE,HB,BLK,-,-	...	D401	0402-001105	DIODE-RECTIFIER;ERB43-04SV1,40
..2	CLW/HS	AA65-30018A	CLAMP-WIRE;-;NYLON6.6,-,-,DATL	...	D502	0402-001105	DIODE-RECTIFIER;ERB43-04SV1,40
..2	CWIRE2	AA65-30018A	CLAMP-WIRE;-;NYLON6.6,-,-,DATL	...	D503	0402-001105	DIODE-RECTIFIER;ERB43-04SV1,40
..2	FBT	AA65-30018A	CLAMP-WIRE;-;NYLON6.6,-,-,DATL	...	D504	0402-001105	DIODE-RECTIFIER;ERB43-04SV1,40
..2	A/MAIN	AA94-08282F	ASSY PCB MAIN;TXM1966,K15D,SAMEX	△	D812	0402-001105	DIODE-RECTIFIER;ERB43-04SV1,40
...3	Q401	0502-001115	TR-POWER;KSC5386,NPN,50W,TO-3PF,ST,8	△	D801S	0402-001111	AB01-19ACTIFIER;1N5397GP,600V,1.5A,DO-20
△	...3	PC801S	0604-001038	△	D802S	0402-001111	AB01-19ACTIFIER;1N5397GP,600V,1.5A,DO-20
...3	IC902	1103-001209	IC-EEPROM;AT24C04-PC27 C,512Kx8Bit,DIP,8	△	D803S	0402-001111	AB01-19ACTIFIER;1N5397GP,600V,1.5A,DO-20
△	...3	CX801S	2306-000318	△	D804S	0402-001111	AB01-19ACTIFIER;1N5397GP,600V,1.5A,DO-20
△	...3	CR401S	2303-001015	△	DR002S	0403-000508	DIODE-ZENER;MTZJ5.6B,5.6V,5.45-5.73V,500
△	...3	SF101S	2904-001221	...4	DZ211	0403-000508	DIODE-ZENER;MTZJ5.6B,5.6V,5.45-5.73V,500
△	...3	SWN01	3404-000295	...4	DZ401	0403-000508	DIODE-ZENER;MTZJ5.6B,5.6V,5.45-5.73V,500
△	...3	FP801S	3601-000144	...4	DZ402	0403-000508	DIODE-ZENER;MTZJ5.6B,5.6V,5.45-5.73V,500
△	...3	V999S	3704-001105	...4	DZ903	0403-000508	DIODE-ZENER;MTZJ5.6B,5.6V,5.45-5.73V,500
...3	CN704	3711-002646	POST-HEADER;67094-007(AUTO)	...4	DZ905	0403-000508	DIODE-ZENER;MTZJ5.6B,5.6V,5.45-5.73V,500
...3	JA701	3722-000162	JACK-PIN;2P,3.4MM,-,SN	...4	DZ803	0403-000699	DIODE-ZENER;TZP27B,27V,27-30.8
△	...3	IC201S	AA09-00295A	...4	DZ101	0403-000700	DIODE-ZENER;TZP33A,33V,31-35V,
△	...3	T801S	AA26-00172A	...4	DZ303	0403-000700	DIODE-ZENER;TZP33A,33V,31-35V,
△	...3	T444S	AA26-00065A	...4	DZ604	0403-000719	DIODE-ZENER;MTZJ7.5B,7.5V,7.07-7.45V,500
△	...3	T401	AA26-50001B	...4	DZ201	0403-000720	DIODE-ZENER;MTZJ9.1B,9.1V,8.57-9.01V,500
△	...3	LR401S	AA27-00053A	...4	DZ202	0403-000720	DIODE-ZENER;MTZJ9.1B,9.1V,8.57-9.01V,500
△	...3	LX801S	AA29-30001D	...4	DZ205	0403-000720	DIODE-ZENER;MTZJ9.1B,9.1V,8.57-9.01V,500
△	...3	RM901	AA32-00015A	...4	DZ306	0403-000720	DIODE-ZENER;MTZJ9.1B,9.1V,8.57-9.01V,500
...3	CN501	AA39-20620B	LEAD-CONNECTOR;ASSY,9P,YNH250-09,S,400m	...4	DZ501	0403-000720	DIODE-ZENER;MTZJ9.1B,9.1V,8.57-9.01V,500
△	...3	TU01S	AA40-00073A	...4	DZ502	0403-000720	DIODE-ZENER;MTZJ9.1B,9.1V,8.57-9.01V,500
...3	IC301	AA96-00244A	ASSY H/S;-;AA62-00046A,LA7840,-	...4	DZ503	0403-000720	DIODE-ZENER;MTZJ9.1B,9.1V,8.57-9.01V,500
...4		0205-000129	GREASE-SILICON;SC102,JAPAN	...4	DZ504	0403-000720	DIODE-ZENER;MTZJ9.1B,9.1V,8.57-9.01V,500
...4		1204-001483	IC-VERTICAL PROCESSOR;LA7840,SIP,7P,708MI	...4	DZ806	0403-000720	DIODE-ZENER;MTZJ9.1B,9.1V,8.57-9.01V,500
...4		6003-000335	SCREW-TAPTITE;RH,+2S,M3,L8,ZPC(YEL),SWR	...4	DZ807	0403-000720	DIODE-ZENER;MTZJ9.1B,9.1V,8.57-9.01V,500
...4		AA62-00046A	HEAT SINK-PS;-;T1.0,-,D1(DREAM) 60X25X	...4	DZ808	0403-000720	DIODE-ZENER;MTZJ9.1B,9.1V,8.57-9.01V,500
...3	IC601	AA96-00244D	ASSY H/S;-;SOUND,AA62-00046A,TDA7266M,-	...4	DZ801	0403-001140	DIODE-ZENER;RD10ESAB-T4,10V,9.19-10.30V,
...4		0205-000129	GREASE-SILICON;SC102,JAPAN	...4	DZ204	0403-001211	DIODE-ZENER;MTZJ12B,12V,11.44-12.03V,500MW,D
...4		1201-001600	IC-AUDIO AMP;7266,ZSIP,15P,-,SINGLE,26dB	...4	DZ302	0403-001221	DIODE-ZENER;UZ39BSB,35.36-37.19V,500MW,D
...4		6003-000335	SCREW-TAPTITE;RH,+2S,M3,L8,ZPC(YEL),SWR	...4	DZ802	0403-001318	DIODE-ZENER;MTZJ4.3B,4.3V,4.17-4.43V,500mW,DO
...4		AA62-00046A	HEAT SINK-PS;-;T1.0,-,D1(DREAM) 60X25X	...4	DZ901	0403-001373	DIODE-ZENER;MTZJ5.1A,4.81V,5.07V,500mW,D
△	...3	IC802	AA96-00245A	...4	DZ805	0403-001327	DIODE-ZENER;MTZJ18A,16.22-17.06V,500mW,D
...4		1203-001939	IC-POS.FIXED REG.;7632,SIP,10P,-,PLASTI	...4	DZ301	0403-001328	DIODE-ZENER;MTZJ22A,20.15-21.20V,500mW,D
...4		6003-000334	SCREW-TAPTITE;RH,+2S,M3,L6,ZP	...4	DZ305	0403-001328	DIODE-ZENER;MTZJ22A,20.15-21.20V,500mW,D
...4		AA62-00055A	HEAT SINK-PS;-;T1.0,-,35*15*25,D1,-,-,	...4	Q201	0501-000283	TRANSISTOR;KSA539-Y(TAPG)/YTAM
...3	LD901	AA96-00055A	ASSY LED GUIDE;-;UEX-LD-030,GREEN	...4	Q901	0501-000283	TRANSISTOR;KSA539-Y(TAPG)/YTAM
...3	IC501	AA96-50311A	ASSY-H/S;-;VIDEO,AA62-30175D,TDA6107Q,-	△	QR001S	0501-000283	TRANSISTOR;KSA539-Y(TAPG)/YTAM
...4		1201-001159	ICVIDEOAMP;TDA6107Q,ZIP,9P,300	...4	Q402	0501-000369	TRANSISTOR;KSC2331-Y(TAPG)
...4		6003-000334	SCREW-TAPTITE;RH,+2S,M3,L6,ZP	...4	Q202	0501-002183	TR-SMALL SIG;KTC9014,NPN,625MW,TO-92,100
...4		AA62-30175D	HEATSINK-PS;-;SECC,T1.0,-,33X15X30FT-2	...4	Q601	0501-002183	TR-SMALL SIG;KTC9014,NPN,625MW,TO-92,100
△	...3	IC801S	AA96-50395F	...4	Q802	0501-002183	TR-SMALL SIG;KTC9014,NPN,625MW,TO-92,100
...4		0205-000129	GREASE-SILICON;SC102,JAPAN	...4	IC802	1203-001217	IC-POST,ADJUSTREG;431,TO-92,3P4.58MIL,P
...4		1203-002466	IC-PWM CONTROLLER;KA500740RT,TO220F-5L,5	...4	R207	2001-000005	R-CARBON;390OHM,5%,1/8W,AA,TP
...4		6003-000334	SCREW-TAPTITE;RH,+2S,M3,L6,ZP	...4	R905	2001-000005	R-CARBON;390OHM,5%,1/8W,AA,TP
...4		AA62-30190A	-;SECC-CA,T1.0,-,-,Cr03 A	...4	R906	2001-000005	R-CARBON;390OHM,5%,1/8W,AA,TP
...3	A/AUTO	AA97-07230G	ASSY AUTO-MAIN;K15D,SAMEX	...4	R206	2001-000010	R-CARBON;68Kohm,5%,1/8W,AA,TP,1.8x3.2mm
...4	D201	0401-000005	DIODE;1N4148,100V,300mA,1V,8nS,TAPING	...4	R301	2001-000016	R-CARBON(S);10HM,5%,1/2W,AA,TP
...4	D601	0401-000005	DIODE;1N4148,100V,300mA,1V,8nS,TAPING	...4	R843	2001-000019	R-CARBON(S);10ohm,5%,1/2W,AA,TP,2.4x6.4mm
△	...4	D804	0401-000005	...4	R409	2001-000022	R-CARBON(S);330HM,5%,1/2W,AA,T
△	...4	D808	0401-000005	...4	R823	2001-000037	R-CARBON(S);330OHM,5%,1/2W,AA,
△	...4	D811	0401-000005	...4	R808	2001-000109	R-CARBON(S);470OHM,5%,1/2W,AA,
△	...4	DR003S	0401-000005	...4	R902	2001-000241	R-CARBON;1.5KOHM,5%,1/8W,AA,TP
△	...4	D803	0401-000006	...4	R904	2001-000241	R-CARBON;1.5KOHM,5%,1/8W,AA,TP
...4	D303	0402-000132	DIODE-RECTIFIER;1N4004,400V,1A,DO-41	...4	R287	2001-000273	R-CARBON;100KOHM,5%,1/8W,AA,TP
△	...4	D809	0402-000132	...4	R211	2001-000281	R-CARBON;100OHM,5%,1/8W,AA,TP
...4	D501	0402-000254	DIODE-RECTIFIER;RGP10J,600V,1A,DO-41	...4	R233	2001-000281	R-CARBON;100OHM,5%,1/8W,AA,TP
△	...4	DR001S	0402-000254	...4	R501	2001-000281	R-CARBON;100OHM,5%,1/8W,AA,TP
△	...4	D807	0402-000493	...4	R502	2001-000281	R-CARBON;100OHM,5%,1/8W,AA,TP
...4	D302	0402-000534	DIODE-RECTIFIER;RG10V,400V,1.5	...4	R506	2001-000281	R-CARBON;100OHM,5%,1/8W,AA,TP
△	...4	D805	0402-000540	...4	R510	2001-000281	R-CARBON;100OHM,5%,1/8W,AA,TP
...4	D301	0402-001105	DIODE-RECTIFIER;ERB43-04SV1,40				

Electrical Parts List

Loc. No.	Code No.	Description ; Specification	Remark	Loc. No.	Code No.	Description ; Specification	Remark
....4	R511	2001-000281 R-CARBON;1000HM,5%,1/8W,AA,TP,	4	R503	2002-001008 R-COMPOSITION;1.8KOHM,10%1/2W,AA,TP,3.7	
....4	R512	2001-000281 R-CARBON;1000HM,5%,1/8W,AA,TP,		△....4	RP801S	2002-001010 R-COMPOSITION;1.8MOHM,5%,1/2W,AA,TP,3.7X	
....4	R909	2001-000281 R-CARBON;1000HM,5%,1/8W,AA,TP,		△....4	RY801S	2002-001013 R-COMPOSITION;4.7MOhm,5%,1/2W,AA,TP,3.7X	
....4	R911	2001-000281 R-CARBON;1000HM,5%,1/8W,AA,TP,	4	R402	2003-002178 R-METAL OXIDE(S) 1Kohm,5%,2W,AG,TP,3.9X1	
....4	R912	2001-000281 R-CARBON;1000HM,5%,1/8W,AA,TP,	4	R316	2003-000652 R-METAL OXIDE(S);330ohm,5%,2W,AF,TP,4x12	
....4	R913	2001-000281 R-CARBON;1000HM,5%,1/8W,AA,TP,	4	R413	2003-000664 R-METAL OXIDE(S);330HM,5%,2W,AF,TP,4X12M	
....4	R914	2001-000281 R-CARBON;1000HM,5%,1/8W,AA,TP,	4	R403	2003-002173 R-METAL OXIDE(S);7.5Kohm,5%,2W,AG,TP,3.9	
....4	R917	2001-000281 R-CARBON;1000HM,5%,1/8W,AA,TP,	4	R827	2003-001023 R-METALOXIDE(S);1200HM,5%,2W,A	
....4	R933	2001-000281 R-CARBON;1000HM,5%,1/8W,AA,TP,	4	R7407	2003-001040 R-METALOXIDE(S);47Kohm,5%,2W,AF,TP,3.9x1	
....4	R934	2001-000281 R-CARBON;1000HM,5%,1/8W,AA,TP,	4	R803	2003-002102 R-METAL OXIDE;68Kohm,5%,2W,AF,TP,4x12mm	
....4	R942	2001-000281 R-CARBON;1000HM,5%,1/8W,AA,TP,	4	R804	2003-002102 R-METAL OXIDE;68Kohm,5%,2W,AF,TP,4x12mm	
....4	R943	2001-000281 R-CARBON;1000HM,5%,1/8W,AA,TP,	4	R603	2004-000195 R-METAL;100Kohm,1%,1/8W,AA,TP,1.8x3.2m	
....4	R291A	2001-000290 R-CARBON;10KOHM,5%,1/8W,AA,TP,	4	R423	2004-001373 R-METAL.FILM;RM1/2T100K-F	
....4	R601	2001-000290 R-CARBON;10KOHM,5%,1/8W,AA,TP,	4	R817	2004-001377 R-METAL(S);120KOHM,1%,1/2W,AA,TP,2.4X6.4	
....4	R612	2001-000290 R-CARBON;10KOHM,5%,1/8W,AA,TP,		△....4	RR003S	2004-001376 R-METAL(S);11KOHM,1%,1/2W,AA,T	
....4	R807	2001-000290 R-CARBON;10KOHM,5%,1/8W,AA,TP,	4	R424	2004-001402 R-METAL(S);6.8KOHM,1%,1/2W,AA,	
....4	R828	2001-000290 R-CARBON;10KOHM,5%,1/8W,AA,TP,	4	R219	2004-001914 R-METAL;39KOHM,2%,1/8W,AA,TP,1	
....4	R910	2001-000290 R-CARBON;10KOHM,5%,1/8W,AA,TP,	4	R822	2004-001983 R-METAL-2.49KOHM,1%,1/2W,AA,TP,2.4X6.4	
....4	R606	2001-000290 R-CARBON;10KOHM,5%,1/8W,AA,TP,		△....4	RR004S	2004-004048 R-METAL(S);3.9Kohm,1%,1/2W,AA,TP,2.5x6.5	
....4	R224	2001-000290 R-CARBON;10KOHM,5%,1/8W,AA,TP,	4	R302	2004-001371 R-METAL(S);1.5KOHM,1%,1/2W,AA,	
....4	R225	2001-000325 R-CARBON;1200HM,5%,1/8W,AA,TP,	4	R306	2004-001371 R-METAL(S);1.5KOHM,1%,1/2W,AA,	
....4	R205	2001-000397 R-CARBON;180KOHM,5%,1/8W,AA,TP	4	R304	2008-000253 R-FUSIBLE(S);0.470HM,5%,1W,AF,	
△....4	RR005S	2001-000397 R-CARBON;180KOHM,5%,1/8W,AA,TP	4	R305	2008-000253 R-FUSIBLE(S);0.470HM,5%,1W,AF,	
....4	R218	2001-000411 R-CARBON;18KOHM,5%,1/8W,AA,TP,	4	R801	2008-001107 R-FUSIBLE(S);300ohm,5%,2W,AG,TP,3.9x12mm	
△....4	RR002S	2001-000411 R-CARBON;18KOHM,5%,1/8W,AA,TP,	4	R825	2008-000266 R-FUSIBLE(S);10HM,5%,2W,AF,TP,	
....4	R602	2001-000429 R-CARBON;1Kohm,5%,1/8W,AA,TP,1.8x3.2mm	4	R608	2008-000284 R-FUSIBLE(S);0.10HM,10%,2W,AF,TP,3.9X10M	
....4	R604	2001-000429 R-CARBON;1Kohm,5%,1/8W,AA,TP,1.8x3.2mm	4	R609	2008-000284 R-FUSIBLE(S);0.10HM,10%,2W,AF,TP,3.9X10M	
....4	R926	2001-000429 R-CARBON;1Kohm,5%,1/8W,AA,TP,1.8x3.2mm	4	R824	2008-000294 R-FUSIBLE;330HM,5%,2W,AF,TP,3	
....4	R944	2001-000429 R-CARBON;1Kohm,5%,1/8W,AA,TP,1.8x3.2mm	4	R422	2008-001011 R-FUSIBLE(S);0.180HM,10%,2W,AF	
....4	R918	2001-000449 R-CARBON;2.2KOHM,5%,1/8W,AA,TP	4	R421	2008-001011 R-FUSIBLE(S);0.180HM,10%,2W,AF	
....4	R940	2001-000449 R-CARBON;2.2KOHM,5%,1/8W,AA,TP	4	R420	2008-001047 R-FUSIBLE(S);68ohm,5%,2W,AF,TP,3.9x10mm	
....4	R941	2001-000449 R-CARBON;2.2KOHM,5%,1/8W,AA,TP	4	C806A	2201-000108 C-CERAMIC,DISC;1.5NF,10%,1KV,Y	
....4	R220	2001-000472 R-CARBON;2.7KOHM,5%,1/8W,AA,TP	4	C501	2201-000193 C-CERAMIC,DISC;10PF,0.25PF,50V	
....4	R901	2001-000472 R-CARBON;2.7KOHM,5%,1/8W,AA,TP	4	C302	2201-000259 C-CERAMIC,DISC;180PF,10%,500V,Y5P,6X4MM,	
....4	R903	2001-000472 R-CARBON;2.7KOHM,5%,1/8W,AA,TP	4	C816	2201-000375 C-CERAMIC,DISC;220PF,5%,50V,RH	
....4	R907	2001-000472 R-CARBON;2.7KOHM,5%,1/8W,AA,TP		△....4	CR409S	2201-002028 C-CERAMIC,DISC;0.47nF,10%,2KV,Y5P,TP,7.5	
....4	R908	2001-000472 R-CARBON;2.7KOHM,5%,1/8W,AA,TP	4	C908	2201-000573 C-CERAMIC,DISC;47PF,5%,50V,NPO	
....4	R607	2001-000472 R-CARBON;2.7KOHM,5%,1/8W,AA,TP	4	C909	2201-000573 C-CERAMIC,DISC;47PF,5%,50V,NPO	
....4	R214	2001-000490 R-CARBON;2000HM,5%,1/8W,AA,TP,	4	C907	2201-000573 C-CERAMIC,DISC;47PF,5%,50V,NPO	
....4	R829	2001-000563 R-CARBON;27KOHM,5%,1/8W,AA,TP,1.8X3.2MM	4	C408	2201-000599 C-CERAMIC,DISC;560PF,10%,500V,	
....4	R208	2001-000591 R-CARBON;3.3KOHM,5%,1/8W,AA,TP		△....4	CR404S	2201-000639 C-CERAMIC,DISC;680PF,10%,2KV,Y5P,-5MM,T	
△....4	RR001S	2001-000660 R-CARBON;33KOHM,5%,1/8W,AA,TP	4	C503	2201-000723 C-CERAMIC,DISC;4.7nF,20%,3KV,Y5U,TP,16x5	
....4	R202	2001-000689 R-CARBON;390KOHM,5%,1/8W,AA,TP	4	C811	2201-000991 C-CERAMIC,HIC,CK45(T)B2KV561-K	
....4	R830	2001-000734 R-CARBON;4.7KOHM,5%,1/8W,AA,TP	4	C105	2202-000127 C-CERAMIC,MLC-AXIAL;10NF,+80-2	
....4	R925	2001-000734 R-CARBON;4.7KOHM,5%,1/8W,AA,TP	4	C111	2202-000127 C-CERAMIC,MLC-AXIAL;10NF,+80-2	
....4	R708	2001-000734 R-CARBON;4.7KOHM,5%,1/8W,AA,TP	4	C912	2202-000127 C-CERAMIC,MLC-AXIAL;10NF,+80-2	
....4	R227	2001-000739 R-CARBON;4.7MOHM,5%,1/8W,AA,TP	4	C223	2202-000796 C-CERAMIC,MLC-AXIAL;1NF,10%,50	
....4	R228	2001-000739 R-CARBON;4.7MOHM,5%,1/8W,AA,TP	4	C224	2202-000796 C-CERAMIC,MLC-AXIAL;1NF,10%,50	
....4	R109	2001-000786 R-CARBON;47KOHM,5%,1/8W,AA,TP,	4	C602	2202-000796 C-CERAMIC,MLC-AXIAL;1NF,10%,50	
....4	R927	2001-000793 R-CARBON;47OHM,5%,1/8W,AA,TP,1	4	C906	2202-000796 C-CERAMIC,MLC-AXIAL;1NF,10%,50	
....4	R207	2001-000857 R-CARBON;5600HM,5%,1/8W,AA,TP,	4	C505	2202-000106 C-CERAMIC,MLC-AXIAL;1.5nF,20%,16V,Y5P,TP	
....4	R110	2001-000924 R-CARBON;680ohm,5%,1/8W,AA,TP,1.8x3.2mm	4	C226	2202-000829 C-CERAMIC,MLC-AXIAL;820pf,10%,50V,Y5P,TP	
....4	R915	2001-000924 R-CARBON;680ohm,5%,1/8W,AA,TP,1.8x3.2mm	4	C211	2202-002037 C-CERAMIC,MLC-AXIAL;100NF,+80-20	
....4	R108	2001-000947 R-CARBON;7.5KOHM,5%,1/8W,AA,TP	4	C502	2301-000213 C-FILM,PEF;220NF,5%,250V,21.5X	
....4	R222	2001-000947 R-CARBON;7.5KOHM,5%,1/8W,AA,TP	4	C109	2301-000224 C-FILM,PEF;22NF,5%,50V,7.4X3.9	
....4	R605	2001-000947 R-CARBON;7.5KOHM,5%,1/8W,AA,TP	4	C804	2301-000224 C-FILM,PEF;22NF,5%,50V,7.4X3.9	
....4	R212	2001-000969 R-CARBON;75OHM,5%,1/8W,AA,TP,1	4	C810	2301-000224 C-FILM,PEF;22NF,5%,50V,7.4X3.9	
....4	R215	2001-000969 R-CARBON;75OHM,5%,1/8W,AA,TP,1	4	C309	2301-000254 C-FILM,PEF;39NF,5%,50V,7.5X3.5X6.5MM,5MM	
....4	R610	2001-000969 R-CARBON;75OHM,5%,1/8W,AA,TP,1	4	C227	2301-000301 C-FILM,PEF;6.8NF,5%,50V,6.5X4.	
....4	R408	2001-001037 R-CARBON(S);0.390HM,5%,1/2W,AA	4	C604	2301-000301 C-FILM,PEF;6.8NF,5%,50V,6.5X5.	
....4	R504	2001-001062 R-CARBON(S);10MOHM,5%,1/2W,AA,	4	C217	2301-000342 C-FILM,PEF;2.2nF,5%,50V,TP,7.4x3.9x11mm,	
....4	R414	2001-001078 R-CARBON(S);15KOHM,5%,1/2W,AA,	4	C234	2301-000342 C-FILM,PEF;2.2nF,5%,50V,TP,7.4x3.9x12mm,	
....4	R832	2001-001088 R-CARBON(S);1KOHM,5%,1/2W,AA,TP,2.4X6.4	4	C805	2301-000342 C-FILM,PEF;2.2nF,5%,50V,TP,7.4x3.9x13mm,	
....4	R819	2001-001088 R-CARBON(S);1KOHM,5%,1/2W,AA,TP,2.4X6.4	4	C407	2301-000383 C-FILM,PEF;10nF,5%,50V,TP,6x7x3.2mm,5mm	
....4	R820	2001-001088 R-CARBON(S);1KOHM,5%,1/2W,AA,TP,2.4X6.4	4	C248	2301-000445 C-FILM,PEF;4.7nF,5%,50V,TP,5.5x7x3mm,4mm	
....4	R303	2003-002238 R-METAL OXIDE(S)1.30HM,5%2W,AF,TP,3.9X10	4	C232	2301-000445 C-FILM,PEF;4.7nF,5%,50V,TP,5.5x7x3mm,5mm	
....4	R840	2001-001108 R-CARBON(S);22KOHM,5%,1/2W,AA,	4	C420	2301-001065 C-FILM,MPPF;47NF,55,630V,TP,19	
....4	R411	2001-001114 R-CARBON(S);2700HM,5%,1/2W,AA,	4	C312	2305-000149 C-FILM;CF922N100VT104-J-40/105	
....4	R821	2001-001131 R-CARBON(S);33KOHM,5%,1/2W,AA,	4	C301	2305-000285 C-FILM,MPEF;220NF,5%,100V,-.5M	
....4	R809	2001-001150 R-CARBON(S);470KOHM,5%,1/2W,AA	4	C215	2305-000289 C-FILM,MPEF;220NF,5%,63V,-.3MM	
....4	R810	2001-001150 R-CARBON(S);470KOHM,5%,1/2W,AA	4	C216	2305-000289 C-FILM,MPEF;220NF,5%,63V,-.4MM	
....4	R818	2001-001154 R-CARBON(S);5.1KOHM,5%,1/2W,AB	4	C233	2305-000289 C-FILM,MPEF;220NF,5%,63V,-.5MM	
....4	R805	2001-001170 R-CARBON(S);6.80HM,5%,1/2W,AB,		△....4	CR405S	2305-000382 C-FILM,MPEF;4.7NF,5%,400V,TP,-5MM.	
....4	R405	2001-001187 R-CARBON(S);75OHM,5%,1/2W,AA,T	4	C916	2305-000411 C-FILM,MPEF;470NF,5%,50V,7.3X4	
....4	R831	2001-001192 R-CARBON(S);820HM,5%,1/2W,AB,	4	C103	2305-000665 C-FILM;104J, 60V,5MM TAPING	
....4	R501H	2002-001008 R-COMPOSITION;1.8KOHM,10%1/2W,AA,TP,3.7	4	C207	2305-000665 C-FILM;104J, 60V,4MM TAPING	
....4	R502H	2002-001008 R-COMPOSITION;1.8KOHM,10%1/2W,AA,TP,3.7	4	C208	2305-000665 C-FILM;104J, 60V,3MM TAPING	

Loc. No.	Code No.	Description ; Specification	Remark	Loc. No.	Code No.	Description ; Specification	Remark
...4	C210	2305-000665	C-FILM;104J, 60V,2MM TAPING	...4	DZ804	3812-000219	WIRE-SO,COPPER;TAO.6SN/52M/M(A
...4	C218	2305-000665	C-FILM;104J, 60V,1MM TAPING	...4	J101	3812-000219	WIRE-SO,COPPER;TAO.6SN/52M/M(A
...4	C222	2305-000665	C-FILM;104J, 60V,0MM TAPING	...4	J102	3812-000219	WIRE-SO,COPPER;TAO.6SN/52M/M(A
...4	C230	2305-000665	C-FILM;104J, 60V,1MM TAPING	...4	J103	3812-000219	WIRE-SO,COPPER;TAO.6SN/52M/M(A
...4	C803	2305-000665	C-FILM;104J, 60V,2MM TAPING	...4	J104	3812-000219	WIRE-SO,COPPER;TAO.6SN/52M/M(A
...4	C819	2305-000665	C-FILM;104J, 60V,3MM TAPING	...4	J105	3812-000219	WIRE-SO,COPPER;TAO.6SN/52M/M(A
...4	C913	2305-000665	C-FILM;104J, 60V,4MM TAPING	...4	J106	3812-000219	WIRE-SO,COPPER;TAO.6SN/52M/M(A
...4	C920	2305-000665	C-FILM;104J, 60V,5MM TAPING	...4	J107	3812-000219	WIRE-SO,COPPER;TAO.6SN/52M/M(A
...4	C225	2309-000138	C-FILM,PE-PPF;100NF,5%,50V,TP,	...4	J108	3812-000219	WIRE-SO,COPPER;TAO.6SN/52M/M(A
...4	C812	2401-000262	C-AL;100UF,20%,160V,GP,16X25MM,5MM,	...4	J110	3812-000219	WIRE-SO,COPPER;TAO.6SN/52M/M(A
...4	C817	2401-000302	C-AL;100UF,20%,25V,GP,6X11MM,3	...4	J111	3812-000219	WIRE-SO,COPPER;TAO.6SN/52M/M(A
...4	C821	2401-000302	C-AL;100UF,20%,25V,GP,6X11MM,4	...4	J112	3812-000219	WIRE-SO,COPPER;TAO.6SN/52M/M(A
...4	C823	2401-000302	C-AL;100UF,20%,25V,GP,6X11MM,5	...4	J113	3812-000219	WIRE-SO,COPPER;TAO.6SN/52M/M(A
...4	C307	2401-000360	C-AL;100UF,20%,50V,GP,8X11MM,4	...4	J114	3812-000219	WIRE-SO,COPPER;TAO.6SN/52M/M(A
...4	C308	2401-000360	C-AL;100UF,20%,50V,GP,8X11MM,5	...4	J115	3812-000219	WIRE-SO,COPPER;TAO.6SN/52M/M(A
...4	C506	2401-000430	C-ELECTROLYTIC;CE04WTPAG250V10	...4	J117	3812-000219	WIRE-SO,COPPER;TAO.6SN/52M/M(A
△	CR01S	2401-000480	C-AL;10UF,20%,50V,GP,5X11MM,4M	...4	J120	3812-000219	WIRE-SO,COPPER;TAO.6SN/52M/M(A
△	CR02S	2401-000480	C-AL;10UF,20%,50V,GP,5X11MM,5M	...4	J121	3812-000219	WIRE-SO,COPPER;TAO.6SN/52M/M(A
...4	CE01	2401-000480	C-AL;10UF,20%,50V,GP,5X11MM,5M	...4	J122	3812-000219	WIRE-SO,COPPER;TAO.6SN/52M/M(A
...4	C403	2401-000560	-AL;1UF,20%,160V,GP,GT,6.3,11MM	...4	J123	3812-000219	WIRE-SO,COPPER;TAO.6SN/52M/M(A
...4	C219	2401-000603	C-AL;1UF,20%,50V,GP,5X11MM,3MM	...4	J124	3812-000219	WIRE-SO,COPPER;TAO.6SN/52M/M(A
...4	C601	2401-000603	C-AL;1UF,20%,50V,GP,5X11MM,4MM	...4	J128	3812-000219	WIRE-SO,COPPER;TAO.6SN/52M/M(A
...4	C603	2401-000603	C-AL;1UF,20%,50V,GP,5X11MM,5MM	...4	J129	3812-000219	WIRE-SO,COPPER;TAO.6SN/52M/M(A
...4	C221	2401-000660	C-ELECTROLYTIC;CE04WTPAG50V2.1	...4	J130	3812-000219	WIRE-SO,COPPER;TAO.6SN/52M/M(A
...4	C212	2401-000660	C-ELECTROLYTIC;CE04WTPAG50V2.2	...4	J131	3812-000219	WIRE-SO,COPPER;TAO.6SN/52M/M(A
...4	C827	2401-000927	C-AL;22UF,20%,250V,GP,13X20MM,	...4	J132	3812-000219	WIRE-SO,COPPER;TAO.6SN/52M/M(A
...4	C110	2401-000962	C-AL;22uF,20%,50V,GP,TP,5x11.5	...4	J135	3812-000219	WIRE-SO,COPPER;TAO.6SN/52M/M(A
...4	C802	2401-001192	C-AL;33UF,20%,50V,GP,6X11MM,5MM,TP	...4	J137	3812-000219	WIRE-SO,COPPER;TAO.6SN/52M/M(A
...4	C504	2401-001232	C-AL;4.7UF,20%,250V,GP,10X12.5	...4	J138	3812-000219	WIRE-SO,COPPER;TAO.6SN/52M/M(A
...4	C304	2401-001397	C-AL;470UF,20%,25V,GP,10X16MM,	...4	J139	3812-000219	WIRE-SO,COPPER;TAO.6SN/52M/M(A
...4	C306	2401-002288	C-ELEC;CE04-55/10525VT471-MWVRG	...4	J140	3812-000219	WIRE-SO,COPPER;TAO.6SN/52M/M(A
...4	C209	2401-001840	C-AL;100UF,20%,16V,GP,TP,6.3X3	...4	J142	3812-000219	WIRE-SO,COPPER;TAO.6SN/52M/M(A
...4	C213	2401-001840	C-AL;100UF,20%,16V,GP,TP,6.3X2	...4	J150	3812-000219	WIRE-SO,COPPER;TAO.6SN/52M/M(A
...4	C229	2401-001840	C-AL;100UF,20%,16V,GP,TP,6.3X1	...4	J401	3812-000219	WIRE-SO,COPPER;TAO.6SN/52M/M(A
...4	C903	2401-001840	C-AL;100UF,20%,16V,GP,TP,6.3X0	...4	J604	3812-000219	WIRE-SO,COPPER;TAO.6SN/52M/M(A
...4	C910	2401-001840	C-AL;100UF,20%,16V,GP,TP,6.3X1	...4	J605	3812-000219	WIRE-SO,COPPER;TAO.6SN/52M/M(A
...4	C605	2401-001998	C-AL;1000UF,20%,25V,GP,TP,10X20	...4	J6060	3812-000219	WIRE-SO,COPPER;TAO.6SN/52M/M(A
...4	C203	2401-002235	C-ELECTROLYTIC;CE04W(T)16V7M	...4	J8001	3812-000219	WIRE-SO,COPPER;TAO.6SN/52M/M(A
...4	C206	2401-002235	C-ELECTROLYTIC;CE04W(T)16V8M	...4	J802	3812-000219	WIRE-SO,COPPER;TAO.6SN/52M/M(A
...4	C220	2401-002235	C-ELECTROLYTIC;CE04W(T)16V9M	...4	J803	3812-000219	WIRE-SO,COPPER;TAO.6SN/52M/M(A
...4	C231	2401-002235	C-ELECTROLYTIC;CE04W(T)16V10M	...4	J804	3812-000219	WIRE-SO,COPPER;TAO.6SN/52M/M(A
...4	C820	2401-002235	C-ELECTROLYTIC;CE04W(T)16V10M	...4	J806	3812-000219	WIRE-SO,COPPER;TAO.6SN/52M/M(A
...4	C813	2401-002290	C-AL;47uF,20%,160V,GP,TP,13x20,5	...4	J807	3812-000219	WIRE-SO,COPPER;TAO.6SN/52M/M(A
...4	C101	2401-002594	C-AL;220uF,20%,16V,GP,TP,8x11.5,5	...4	J808	3812-000219	WIRE-SO,COPPER;TAO.6SN/52M/M(A
...4	C406	2401-002619	C-AL;47uF,20%,25V,GP,TP,5x11.5	...4	JAW02	3812-000219	WIRE-SO,COPPER;TAO.6SN/52M/M(A
...4	C808	2401-003028	C-AL;100UF,20%,25V,GP,TP,6.3X1	...4	L403	3812-000219	WIRE-SO,COPPER;TAO.6SN/52M/M(A
...4	L103	2701-000114	INDUCTOR-AXIAL;10UH,10%,2.5X1.	...4	R229	3812-000219	WIRE-SO,COPPER;TAO.6SN/52M/M(A
...4	L202	2701-000114	INDUCTOR-AXIAL;10UH,10%,2.5X0.	...4	R309	3812-000219	WIRE-SO,COPPER;TAO.6SN/52M/M(A
...4	L903	2701-000114	INDUCTOR-AXIAL;10UH,10%,2.5X1.	...4	R507	3812-000219	WIRE-SO,COPPER;TAO.6SN/52M/M(A
...4	R101	2701-000114	INDUCTOR-AXIAL;10UH,10%,2.5X2.	...4	R508	3812-000219	WIRE-SO,COPPER;TAO.6SN/52M/M(A
...4	R102	2701-000114	INDUCTOR-AXIAL;10UH,10%,2.5X3.	...4	R509	3812-000219	WIRE-SO,COPPER;TAO.6SN/52M/M(A
...4	L203	2701-000127	INDUCTOR-AXIAL;15UH,10%,2.5X3.	...4	R850	3812-000219	WIRE-SO,COPPER;TAO.6SN/52M/M(A
...4	L301	2701-000142	INDUCTOR-AXIAL;1UH,10%,2.5X3.4	...4	R822	3812-000219	WIRE-SO,COPPER;TAO.6SN/52M/M(A
...4	L302	2701-000142	INDUCTOR-AXIAL;1UH,10%,2.5X3.4	...4	J125	3812-000219	WIRE-SO,COPPER;TAO.6SN/52M/M(A
...4	L404	2701-000142	INDUCTOR-AXIAL;1UH,10%,2.5X3.4	...4	L805	3812-000219	WIRE-SO,COPPER;TAO.6SN/52M/M(A
...4	L102	2701-000159	INDUCTORAXIAL;22uH,10%,4.2x9.8mm	...4	J601	3812-000219	WIRE-SO,COPPER;TAO.6SN/52M/M(A
...4	L201	2701-000159	INDUCTORAXIAL;22uH,10%,4.2x9.8mm	...4	J811	3812-000219	WIRE-SO,COPPER;TAO.6SN/52M/M(A
...4	L230	2701-000159	INDUCTORAXIAL;22uH,10%,4.2x9.8mm	...4	L206	3812-000219	WIRE-SO,COPPER;TAO.6SN/52M/M(A
...4	L405	2701-000159	INDUCTORAXIAL;22uH,10%,4.2x9.9mm	...4	00VER	AA41-00625A	PCB-MAIN;CT2188,FR-1,1L,A,1.6T,245X245,K
...4	L902	2701-000177	INDUCTOR-AXIAL;33UH,10%,2.5X3.4MM	...4	EY401	AA60-40011A	EYELET;-ID2.0,0D2.8,-,BST
...4	L904	2701-000177	INDUCTOR-AXIAL;33UH,10%,2.5X3.4MM	...4	EY402	AA60-40011A	EYELET;-ID2.0,0D2.8,-,BST
...4	L804	2701-001030	INDUCTOR-AXIAL;43uH,10%,14x4.5mm	...4	EY403	AA60-40011A	EYELET;-ID2.0,0D2.8,-,BST
...4	L807	2701-001030	INDUCTOR-AXIAL;43uH,10%,14x4.5mm	...4	EY404	AA60-40011A	EYELET;-ID2.0,0D2.8,-,BST
...4	X901	2801-003433	CRYSTAL-UNIT;12MHZ,30PPM,28-AAM,30PF,300	...4	EY405	AA60-40011A	EYELET;-ID2.0,0D2.8,-,BST
...4	L808	2901-000297	FILTER-EMI ON BOARD;-3A,-,-,3.5x5,TP,-	...4	EY414	AA60-40011A	EYELET;-ID2.0,0D2.8,-,BST
...4	L806	3301-000287	CORE-FERRITEBEAD;AA,3.5X1.0X6.	...4	EY415	AA60-40011A	EYELET;-ID2.0,0D2.8,-,BST
...4	L802	3301-000287	CORE-FERRITEBEAD;AA,3.5X1.0X6.	...4	EY416	AA60-40011A	EYELET;-ID2.0,0D2.8,-,BST
...4	L803	3301-000287	CORE-FERRITEBEAD;AA,3.5X1.0X6.	...4	EY417	AA60-40011A	EYELET;-ID2.0,0D2.8,-,BST
...4	J127	3301-000287	CORE-FERRITEBEAD;AA,3.5X1.0X6.	...4	EY418	AA60-40011A	EYELET;-ID2.0,0D2.8,-,BST
...4	SW901	3404-000244	SWITCH-TACT;15V,20MA,90-170GF,	...4	EY419	AA60-40011A	EYELET;-ID2.0,0D2.8,-,BST
...4	SW902	3404-000244	SWITCH-TACT;15V,20MA,90-170GF,	...4	EY420	AA60-40011A	EYELET;-ID2.0,0D2.8,-,BST
...4	SW903	3404-000244	SWITCH-TACT;15V,20MA,90-170GF,	...4	EY421	AA60-40011A	EYELET;-ID2.0,0D2.8,-,BST
...4	SW904	3404-000244	SWITCH-TACT;15V,20MA,90-170GF,	...4	EY501	AA60-40011A	EYELET;-ID2.0,0D2.8,-,BST
...4	SW905	3404-000244	SWITCH-TACT;15V,20MA,90-170GF,	...4	EY819	AA60-40011A	EYELET;-ID2.0,0D2.8,-,BST
△	FD801S	3601-001086	FUSE-AXIAL LEAD;125V,5A,FAST-ACTING,GLAS	...4	EY827	AA60-40011A	EYELET;-ID2.0,0D2.8,-,BST
△	F801A	3602-000114	FUSE-HOLDER;-,-,30MOHM	...4	EY829	AA60-40011A	EYELET;-ID2.0,0D2.8,-,BST
...4	F801B	3602-000114	FUSE-HOLDER;-,-,30MOHM	...4	EY833	AA60-40011A	EYELET;-ID2.0,0D2.8,-,BST

Electrical Parts List

Loc. No.	Code No.	Description ; Specification	Remark
....4	EY701	AA60-40011A EYELET;-ID2.0,OD2.8,-,BST	
....4	EY702	AA60-40011A EYELET;-ID2.0,OD2.8,-,BST	
....4	EL401	AA60-40011B EYELET;-ID2.2,OD3.2,-,BSP	
....4	EL402	AA60-40011B EYELET;-ID2.2,OD3.2,-,BSP	
....4	EL801	AA60-40011B EYELET;-ID2.2,OD3.2,-,BSP	
....4	EL802	AA60-40011B EYELET;-ID2.2,OD3.2,-,BSP	
....4	GT301	AA60-40014A PIN-GT,ASSY;1P,-,AUTO	
....4	GT302	AA60-40014A PIN-GT,ASSY;1P,-,AUTO	
....4	GT401	AA60-40014A PIN-GT,ASSY;1P,-,AUTO	
....4	GT402	AA60-40014A PIN-GT,ASSY;1P,-,AUTO	
....4	GT501	AA60-40014A PIN-GT,ASSY;1P,-,AUTO	
....4	GT801	AA60-40014A PIN-GT,ASSY;1P,-,AUTO	
....4	GT802	AA60-40014A PIN-GT,ASSY;1P,-,AUTO	
....4	GT803	AA60-40014A PIN-GT,ASSY;1P,-,AUTO	
....4	GT804	AA60-40014A PIN-GT,ASSY;1P,-,AUTO	
....4	GT805	AA60-40014A PIN-GT,ASSY;1P,-,AUTO	
....4	Z201	2903-000129 FILTER-CERAMIC;BR,4.5MHz,-,TP,-	
....4	RE01	2001-000117 R-CARBON(S);68ohm,5%,1/2W,AA,TP,2.4x6.4mm	
....4	RE02	2001-000117 R-CARBON(S);68ohm,5%,1/2W,AA,TP,2.4x6.4mm	
....4	C915	2401-002009 C-AL;100UF,20%,16V,GP,TP,6.3X7	
....4	R505	2008-000264 R-FUSIBLE(S);10HM,5%,1W,AF,TP	
△4	CR403S 2306-000179 C-FILM,MPPF;300nF,5%,250V,TP,20x18.5x10.	
△4	C815 2401-000703 C-ELEC;CE04-40/8525VT222-MWSD	
△	...3	PWR/A AA96-20129A ASSY-POWER,CORD;-;EP2/YES,H/C300,ME301P,	
....4		AA39-10007Y POWER-CORD;-;EP2/YES,SPT-2 18AWGx2C,2.4mm	
....4		AA61-20284A HOLDER P CORD;PPVO,BLK,KE-002	
...3		0204-000442 SOLVENT;CH3-CH5H-CH396%IM-1000	
...3		0202-000008 SOLDER-WIRE;S63S-D3.0,S63A,D3.63/37	
...3		0204-001024 FLUX;DF-96TVS,-,20%,-	
...3		0202-000187 SOLDER-WIREFLUX;-;RS60S,D1.2,6	
...3	C801	2401-000822 C-ELECTROLYTIC;CE04W200V220U-H	
△	...3	NT801S 1404-001045 THERMISTOR NTC;4.70HM,15%,2900K,35.0MW,T	
△	...3	CY801S 2201-000202 C-CERAMIC,DISC;4700PF,20%,400V	
...3	JA703	3722-000184 JACK-RCA;2P,3.4MM,-,AG	
...3	JE601	3722-000143 JACK-PHONE;1P,3.4MM,-,MBAG	
...3	CN702A	AA39-20070D LEAD-CONNECTOR,ASSY;-;YBNH025-07,67096-0	
...3	CN603	3711-002642 POST-HEADER;67094-003(AUTO)	
△	...3	P803S 1404-001247 THERMISTOR-PTC;1.50HM;+30/-20,110V,140VA	

ASSY-COVER;FRONT

1	A/CFRN	AA90-03255A ASSY-COVER;FRONT;K15D,19,USA	
..2	SPK+CF	6003-001026 SCREW-TAPTITE;RH,+;B,M4,L15,ZPC(BLK),SWR	
..2	PA+CF	6006-001095 SCREW-ASSY TAPT;VP,BH,+;M4,L12,ZPC(YEL)	
..2	S/CRT	AA60-00038A SPACER-CRT;PS,SHEET,T1.0,BLK,OD22,ID10.	
..2	CRT+CF	AA60-10050R SCREW-ASSY;WC,HH,+;M5,L31.5,SWR	
..2	STOPPER	AA61-40113A STOPPER-PCB;-;ABS,HB,NTR.	
..2	F/C	AA64-00152A CABINET-FRONT;20F2,BK708P,HIPS,VO,BLK	
..3	KF+CF	6002-000512 SCREW-TAPPING;RH,+;2,M4,L12,ZP	
..3	WR+CF	6002-000512 SCREW-TAPPING;RH,+;2,M4,L12,ZP	
..3	SPRING	AA61-60003J SPRING-CS;-;SUS304,0.5,OD6,H	
..3	KC	AA64-00155B KNOB-CONTROL;-;20F2,-;ABS,HB,BLK	
..3	KP	AA64-00156B KNOB-POWER;-;20F2,NO-SILK,ABS,HB,BLK	
..3	WR	AA64-00157B WINDOW-REMOCON;-;20F2,-;PC,VO,VIOLET,-	
..3	IL	AA64-00158B INDICATOR-LED;20F2,ACRYL,CLR	
..2	BADGE	AA64-70127F BADGE-BRAND;AL,SS,SILVER,R800	
..2	CWFC	AA65-30105A CLAMP-WIRE;NYLON 66N,VO,NTR,15MM	
..2	L/IND	AA68-00524A LABEL-INDICATOR;A/P 90(G),CXJ1352X/XAA,U	
..2	L/QMS	AA68-02391A LABEL-QMS;ART-PAPER(90)G,110x24mm	
..2	L/WARN	AA68-01618A LABEL-WARNING;WHTPAPER100	
..2	A/SPK	AA96-10141A ASSY-SPEAKER;3W,80HMX1,700	
..3	SPK	3001-001020 SPEAKER;3W,80ohm,90dB,140Hz	
..3	L/SPK	AA39-20501C LEAD CONNECTOR-ASSY;-;67096-003,REC,3(2)	
..2	CWIRE2	AA65-30018A CLAMP-WIRE;-;NYLON6.6,-,DATL	

ASSY COVER/REAR

1	A/REAR	AA90-01711A ASSY COVER/REAR;TXJ1996MHX/XAA	
..2	TAPE-DY	0203-001279 TAPE-OPP MASKING;#232,T0.14,W15,L50000,Y	
..2	CB+CF	6003-001026 SCREW-TAPTITE;RH,+;B,M4,L15,ZPC(BLK),SWR	
..2	B/C	AA64-00154B CABINET-BACK;-;20F2 R1,-;HIPS,VO,BLK,-	

Loc. No.	Code No.	Description ; Specification	Remark
..2	AC+BC	AA65-30008A CLAMP-CORD;-;PE,HB,BLK,-	
..2	FBT	AA65-30018A CLAMP-WIRE;-;NYLON6.6,-,DATL	

ASSY-CPT

1	A/CPT	AA91-04393A ASSY-CPT;A48KRD82X(H),+380MG,SEMI-TINT	
△	..2	CRT+DCOI 0203-001160 TAPE FILAMENT SCOTCH#8915,T0.16,W24,L0.1	
..2	CRT	AA03-10029W CRT-COLOR;A48KRD82X(H),+380MG,SEMI-TINT.	
..2	C-Y	AA27-00002A MAGNET-CONVERGENCE;JH291-SC-OB,29.1M	
..2	D-COIL	AA27-00200A COIL DEGAUSSING;-;1.2MH,10%,30T,1.50HM,20	
..2	D-Y	AA27-50004W DEFL-YOKE;-;DSE-1992LL(1H),20'/A48KRD82X	
..2	SPACER	AA63-60028A SPACER-DY;-;NEOPRENE,-;BLK,VOW	
..2	A/TBC	AA98-70014B ASSY-TBC,WIRE;20,NTSC,1P	
..2	CDCOIL	AA61-00734A HOLDER;25POLYVINYL,DEGAUSSING,CHLORI	
..2	TAPE-DY	0203-001303 TAPE-ACETATE;#1554,T0.25,W19,L30000,WH	

ASSY BOX

1	A/BOX	AA92-02113A ASSY BOX;TXJ1996MHX/XAA	
..2	BOX	AA68-01542A LABEL;(UNIBOX),PAPER WHT ALLMD	
..2	PCK	AA69-00415A PACKING-CASE;CBDW,KRFT-LNR,275,20R1	

MANUAL USERS

1	I/B	AA68-02340A MANUAL USERS;-;ENG,USA,W/P100(G),B5,K15D,	
---	-----	---	--

ASSY LABEL

1	A/LABEL	AA92-02390A ASSY LABEL;TXJ1996MHX/XAA	
..2	L/RAT	AA68-02371A LABEL-RATING;ART-PAPER,90(S),SEA	
..2	L/CRT	AA68-01557A LABEL ENERGY;STAR,STATIC FREE FILM	
..2	L/SET	AA68-01568A LABEL;SET,A48KRD82X,SAMS.23-28KV	

ASSY P/MATERIAL

1	A/PACK	AA92-02667A ASSY P/MATERIAL;TXJ1996MHX/XAA	
..2	BXTAPE	0203-001295 TAPE-OPP MASKING;1242,T0.06,W100,L91.4M,	
..2	STAPLE	AA60-40006A PIN-STAPLE;-;H18,33X17.8X2	
..2	C/SET	AA69-01637A CUSHION-SET;20R1/F2NEW,(SAMEX),EPS,C=0.0	
..2	PE-BAG	AA69-01192A BAG PE;CT20S1BZ,19-20COM,W40',H48,2	

ASSY-ACCESSORY

1	A/ACCE	AA92-05387A ASSY-ACCESSORY;K15D,19,USA	
..2	AC-TAPE	0203-001279 TAPE-OPP MASKING;#232,T0.14,W15,L50000,Y	
..2	C/WARR	AA68-01433A CARD WARRANTY;TV/TVCR,ALL,W/P100(G),B5,	
..2	B/WARR	AA68-01561A CARD WARRANTY;BLOCK,STATEMENT ONLY,SEA/S	
..2	C/REG	AA68-01969A CARD;REGISTRATION PRODUCT,W/P120(G),SEA	
..2	BAG-PE	AA69-01195A BAG PE;CLZ9A6W8X,HDPETO.012,93/4X151	
..2	RMT	AA59-10101M REMOCON; DP,TM59,-,AA59-10095T	

7-2 TXM1997X/XAA

Loc. No.	Code No.	Description ; Specification	Remark
ASSY-CHASSIS			
1	A/CHASSI	AA91-04207A	ASSY-CHASSIS;K15D,19,USA
.2	AC+BC	AA65-30008A	CLAMP-CORD,-,PE,HB,BLK,-,-
.2	CLW/HS	AA65-30018A	CLAMP-WIRE,-,NYLON6.6,-,-,DATL
.2	CWIRE2	AA65-30018A	CLAMP-WIRE,-,NYLON6.6,-,-,DATL
.2	FBT	AA65-30018A	CLAMP-WIRE,-,NYLON6.6,-,-,DATL
.2	A/MAIN	AA94-08282F	ASSY PCB MAIN;TXM1966,K15D,SAMEX
...3	Q401	0502-001115	TR-POWER;KSC5386,NPN,50W,TO-3PF,ST,8
△ ...3	PC801S	0604-001038	PHOTOCOUPLER;TR,130-260%,200MW
...3	IC902	1103-001209	IC-EEPROM;AT24C04-PC27 C,512Kx8Bit,DIP,8
△ ...3	CX801S	2306-000318	C-FILM,MPPF;220NF,20%,250V,-,2
△ ...3	CR401S	2303-001015	C-FILM,PPFF;5.5NF,5%,1.6KV,TP
△ ...3	SF101S	2904-001221	FILTER-SAW AV,45.75MHz,SIP5K,ST,14.2dB,M
...3	SWN01	3404-000295	SW-TACT.V;KPT1122R1KEYSTT-0.3M
△ ...3	FP801S	3601-000144	FUSE-FERRULE;125V,4A,SLOWBLOW,
△ ...3	V999S	3704-001105	SOCKET-CRT;1P,20PI,26.5PI,NL,-
...3	CN704	3711-002646	POST-HEADER;67094-007(AUTO)
...3	JA701	3722-000162	JACK-PIN;2P,3.4MM,-,SN
△ ...3	IC201S	AA09-00295A	IC MICOM;TDA9377PS/N2/AI,SPM-458AN,64P3
△ ...3	T801S	AA26-00172A	TRANS-SWITCHING;EER3543,K15D,90-264,PM2A
△ ...3	T444S	AA26-00065A	TRANS FBT,-,FSV-14A004C(S),14-22,125V
△ ...3	T401	AA26-50001B	HORIZ.DRIVE,-,7.1MH,102UH,10-2
△ ...3	LR401S	AA27-00053A	COIL-LINEARLITY,-,193uH,DR10X10 C:4.35,7
△ ...3	LR801S	AA29-30001D	FILTER-LINE,-,6.0MH,2A,-,SQ191
...3	RM901	AA32-00015A	MODULE-REMOCON;FRP-3521H31,38KHZ,940MM,M
...3	CN501	AA39-20620B	LEAD-CONNECTOR;ASSY,9P,YBNH250-09,S,400m
△ ...3	TU01S	AA40-00073A	TUNER-TECC1040PG32A(S),181CH,45.75MHZ,75
...3	IC301	AA96-00244A	ASSY H/S,-,AA62-00046A,LA7840,-
...4		0205-000129	GREASE-SILICON;SC102,JAPAN
...4		1204-001483	IC-VERTICAL PROCESSOR;LA7840,SIP,7P,708MI
...4		6003-000335	SCREW-TAPTITE;RH,+2S,M3,L8,ZPC(YEL),SWR
...4		AA62-00046A	HEAT SINK-PS,-,T1.0,-,D1(DREAM) 60X25X
...3	IC601	AA96-00244D	ASSY H/S,-,SOUND,AA62-00046A,TDA7266M,-
...4		0205-000129	GREASE-SILICON;SC102,JAPAN
...4		1201-001600	IC-AUDIO AMP;7266,ZSIP,15P,-,SINGLE,26dB
...4		6003-000335	SCREW-TAPTITE;RH,+2S,M3,L8,ZPC(YEL),SWR
...4		AA62-00046A	HEAT SINK-PS,-,T1.0,-,D1(DREAM) 60X25X
△ ...3	IC802	AA96-00245A	ASSY H/S,-,AA62-00055A,KA7632,-
...4		1203-001939	IC-POS.FIXED REG.;7632,SIP,10P,-,PLASTI
...4		6003-000334	SCREW-TAPTITE;RH,+2S,M3,L6,ZP
...4		AA62-00055A	HEAT SINK-PS,-,T1.0,-,35*15*25,D1,-,-
...3	LD901	AA96-00055A	ASSY LED GUIDE,-,JUEX-LD-030,GREEN
...3	IC501	AA96-50311A	ASSY-H/S,-,VIDEO,AA62-30175D,TDA6107Q,-
...4		1201-001159	IC-VIDEOAMP;TDA6107Q,ZIP,9P,300
...4		6003-000334	SCREW-TAPTITE;RH,+2S,M3,L6,ZP
...4		AA62-30175D	HEATSINK-PS,-,SECC,T1.0,-,33X15X30FT-2
△ ...3	IC801S	AA96-50395F	ASSY H/S,-,POWER,AA62-30190A,5Q0740RT
...4		0205-000129	GREASE-SILICON;SC102,JAPAN
...4		1203-002466	IC-PWM CONTROLLER;KA500740RT,TO220F-5L,5
...4		6003-000334	SCREW-TAPTITE;RH,+2S,M3,L6,ZP
...4		AA62-30190A	-,SECC-CA,T1.0,-,-,Cr03 A
...3	A/AUTO	AA97-07230G	ASSY AUTO-MAIN;K15D,SAMEX
...4	D201	0401-000005	DIODE;1N4148,100V,300mA,1V,8nS,TAPING
...4	D601	0401-000005	DIODE;1N4148,100V,300mA,1V,8nS,TAPING
△ ...4	D804	0401-000005	DIODE;1N4148,100V,300mA,1V,8nS,TAPING
△ ...4	D808	0401-000005	DIODE;1N4148,100V,300mA,1V,8nS,TAPING
△ ...4	D811	0401-000005	DIODE;1N4148,100V,300mA,1V,8nS,TAPING
△ ...4	DR003S	0401-000005	DIODE;1N4148,100V,300mA,1V,8nS,TAPING
△ ...4	D803	0401-000006	DIODE-SWITCHING;BAV21,250MA,400MW,50NS,2
△ ...4	D303	0402-000132	DIODE-RECTIFIER;1N4004,400V,1A,DO-41
△ ...4	D809	0402-000132	DIODE-RECTIFIER;1N4004,400V,1A,DO-41
△ ...4	D501	0402-000254	DIODE-RECTIFIER;RGP10J,600V,1A,DO-41
△ ...4	DR001S	0402-000254	DIODE-RECTIFIER;RGP10J,600V,1A,DO-41
△ ...4	D807	0402-000493	DIODE-RECTIFIER;1R5GU41,400V,1
...4	D302	0402-000534	DIODE-RECTIFIER;RG10V,400V,1.5
△ ...4	D805	0402-000540	DIODE-RECTIFIER;RU20A,600V,1.5
...4	D301	0402-001105	DIODE-RECTIFIER;ERB43-04SV1,40
...4	D304	0402-001105	DIODE-RECTIFIER;ERB43-04SV1,40
...4	D401	0402-001105	DIODE-RECTIFIER;ERB43-04SV1,40
...4	D502	0402-001105	DIODE-RECTIFIER;ERB43-04SV1,40

Loc. No.	Code No.	Description ; Specification	Remark
...4	D503	0402-001105	DIODE-RECTIFIER;ERB43-04SV1,40
...4	D504	0402-001105	DIODE-RECTIFIER;ERB43-04SV1,40
△ ...4	D812	0402-001105	DIODE-RECTIFIER;ERB43-04SV1,40
△ ...4	D801S	0402-001111	AB01-19ACTIFIER;1N5397GP,600V,1.5A,DO-20
△ ...4	D802S	0402-001111	AB01-19ACTIFIER;1N5397GP,600V,1.5A,DO-20
△ ...4	D803S	0402-001111	AB01-19ACTIFIER;1N5397GP,600V,1.5A,DO-20
△ ...4	D804S	0402-001111	AB01-19ACTIFIER;1N5397GP,600V,1.5A,DO-20
△ ...4	DR002S	0403-000508	DIODE-ZENER;MTZJ5.6B,5.6V,5.45-5.73V,500
...4	DZ211	0403-000508	DIODE-ZENER;MTZJ5.6B,5.6V,5.45-5.73V,500
...4	DZ401	0403-000508	DIODE-ZENER;MTZJ5.6B,5.6V,5.45-5.73V,500
...4	DZ402	0403-000508	DIODE-ZENER;MTZJ5.6B,5.6V,5.45-5.73V,500
...4	DZ903	0403-000508	DIODE-ZENER;MTZJ5.6B,5.6V,5.45-5.73V,500
...4	DZ904	0403-000508	DIODE-ZENER;MTZJ5.6B,5.6V,5.45-5.73V,500
...4	DZ905	0403-000508	DIODE-ZENER;MTZJ5.6B,5.6V,5.45-5.73V,500
...4	DZ803	0403-000699	DIODE-ZENER;TZP27B,27V,27-30.8
...4	DZ101	0403-000700	DIODE-ZENER;TZP33A,33V,31-35V,
...4	DZ303	0403-000700	DIODE-ZENER;TZP33A,33V,31-35V,
...4	DZ604	0403-000719	DIODE-ZENER;MTZJ7.5B,7.5V,7.07-7.45V,500
...4	DZ201	0403-000720	DIODE-ZENER;MTZJ9.1B,9.1V,8.57-9.01V,500
...4	DZ202	0403-000720	DIODE-ZENER;MTZJ9.1B,9.1V,8.57-9.01V,500
...4	DZ205	0403-000720	DIODE-ZENER;MTZJ9.1B,9.1V,8.57-9.01V,500
...4	DZ306	0403-000720	DIODE-ZENER;MTZJ9.1B,9.1V,8.57-9.01V,500
...4	DZ307	0403-000720	DIODE-ZENER;MTZJ9.1B,9.1V,8.57-9.01V,500
...4	DZ501	0403-000720	DIODE-ZENER;MTZJ9.1B,9.1V,8.57-9.01V,500
...4	DZ502	0403-000720	DIODE-ZENER;MTZJ9.1B,9.1V,8.57-9.01V,500
...4	DZ503	0403-000720	DIODE-ZENER;MTZJ9.1B,9.1V,8.57-9.01V,500
...4	DZ504	0403-000720	DIODE-ZENER;MTZJ9.1B,9.1V,8.57-9.01V,500
...4	DZ806	0403-000720	DIODE-ZENER;MTZJ9.1B,9.1V,8.57-9.01V,500
...4	DZ807	0403-000720	DIODE-ZENER;MTZJ9.1B,9.1V,8.57-9.01V,500
...4	DZ808	0403-000720	DIODE-ZENER;MTZJ9.1B,9.1V,8.57-9.01V,500
...4	DZ801	0403-001140	DIODE-ZENER;RD10ESAB-T4,10V,9.19-10.30V,
...4	DZ204	0403-001211	DIODE-ZENER;MTZJ12B,11.44-12.03V,500MW,D
...4	DZ302	0403-001221	DIODE-ZENER;UZ39BSB,35.36-37.19V,500MW,D
...4	DZ802	0403-001318	DIODE-ZENER;MTZJ4.3B,4.17-4.43V,500mW,DO
...4	DZ901	0403-001373	DIODE-ZENER;MTZJ5.1A,4.81V-5.07V,500mW,D
...4	DZ905	0403-001327	DIODE-ZENER;MTZJ18A,16.22-17.06V,500mW,D
...4	DZ301	0403-001328	DIODE-ZENER;MTZJ22A,20.15-21.20V,500mW,D
...4	DZ305	0403-001328	DIODE-ZENER;MTZJ22A,20.15-21.20V,500mW,D
...4	Q201	0501-000283	TRANSISTOR;KSA539-Y(TAPG)/YTAM
...4	Q901	0501-000283	TRANSISTOR;KSA539-Y(TAPG)/YTAM
△ ...4	QR001S	0501-000283	TRANSISTOR;KSA539-Y(TAPG)/YTAM
...4	Q402	0501-000369	TRANSISTOR;KSC2331-Y(TAPG)
...4	Q202	0501-002183	TR-SMALL SIG;KTC9014,NPN,625MW,TO-92,100
...4	Q601	0501-002183	TR-SMALL SIG;KTC9014,NPN,625MW,TO-92,100
...4	Q802	0501-002183	TR-SMALL SIG;KTC9014,NPN,625MW,TO-92,100
...4	IC803	1203-001217	IC-POST,ADJUSTREG;431,TO-92,3P4.58MIL,P
...4	R207	2001-000005	R-CARBON;390OHM,5%,1/8W,AA,TP
...4	R905	2001-000005	R-CARBON;390OHM,5%,1/8W,AA,TP
...4	R906	2001-000005	R-CARBON;390OHM,5%,1/8W,AA,TP
...4	R206	2001-000010	R-CARBON;68Kohm,5%,1/8W,AA,TP,1.8x3.2mm
...4	R301	2001-000016	R-CARBON(S);10OHM,5%,1/2W,AA,TP
...4	R843	2001-000019	R-CARBON(S);10ohm,5%,1/2W,AA,TP,2.4x6.4mm
...4	R409	2001-000022	R-CARBON(S);330OHM,5%,1/2W,AA,T
...4	R823	2001-000037	R-CARBON(S);330OHM,5%,1/2W,AA,
...4	R808	2001-000109	R-CARBON(S);470OHM,5%,1/2W,AA,
...4	R902	2001-000241	R-CARBON;1.5KOHM,5%,1/8W,AA,TP
...4	R904	2001-000241	R-CARBON;1.5KOHM,5%,1/8W,AA,TP
...4	R287	2001-000273	R-CARBON;100KOHM,5%,1/8W,AA,TP
...4	R211	2001-000281	R-CARBON;100OHM,5%,1/8W,AA,TP
...4	R233	2001-000281	R-CARBON;100OHM,5%,1/8W,AA,TP
...4	R501	2001-000281	R-CARBON;100OHM,5%,1/8W,AA,TP
...4	R502	2001-000281	R-CARBON;100OHM,5%,1/8W,AA,TP
...4	R506	2001-000281	R-CARBON;100OHM,5%,1/8W,AA,TP
...4	R510	2001-000281	R-CARBON;100OHM,5%,1/8W,AA,TP
...4	R511	2001-000281	R-CARBON;100OHM,5%,1/8W,AA,TP
...4	R512	2001-000281	R-CARBON;100OHM,5%,1/8W,AA,TP
...4	R909	2001-000281	R-CARBON;100OHM,5%,1/8W,AA,TP
...4	R911	2001-000281	R-CARBON;100OHM,5%,1/8W,AA,TP
...4	R912	2001-000281	R-CARBON;100OHM,5%,1/8W,AA,TP
...4	R913	2001-000281	R-CARBON;100OHM,5%,1/8W,AA,TP
...4	R914	2001-000281	R-CARBON;100OHM,5%,1/8W,AA,TP
...4	R917	2001-000281	R-CARBON;100OHM,5%,1/8W,AA,TP
...4	R933	2001-000281	R-CARBON;100OHM,5%,1/8W,AA,TP

Electrical Parts List

Loc. No.	Code No.	Description ; Specification	Remark	Loc. No.	Code No.	Description ; Specification	Remark
....4	R934	2001-000281	R-CARBON;1000HM,5%,1/8W,AA,TP,4	R803	2003-002102	R-METAL OXIDE;68Kohm,5%,2W,AF,TP,4x12mm
....4	R942	2001-000281	R-CARBON;1000HM,5%,1/8W,AA,TP,4	R804	2003-002102	R-METAL OXIDE;68Kohm,5%,2W,AF,TP,4x12mm
....4	R943	2001-000281	R-CARBON;1000HM,5%,1/8W,AA,TP,4	R603	2004-000195	R-METAL;100Kohm,1%,1/8W,AA,TP,1.8x3.2mm
....4	R291A	2001-000290	R-CARBON;10KOHM,5%,1/8W,AA,TP,4	R423	2004-001373	R-METAL,FILM;RM1/2T100K-F
....4	R601	2001-000290	R-CARBON;10KOHM,5%,1/8W,AA,TP,4	R817	2004-001377	R-METAL(S);120KOHM,1%,1/2W,AA,TP,2.4X6.4
....4	R612	2001-000290	R-CARBON;10KOHM,5%,1/8W,AA,TP,	△....4	RR003S	2004-001376	R-METAL(S);11KOHM,1%,1/2W,AA,T
....4	R807	2001-000290	R-CARBON;10KOHM,5%,1/8W,AA,TP,4	R424	2004-001402	R-METAL(S);6.8KOHM,1%,1/2W,AA,
....4	R828	2001-000290	R-CARBON;10KOHM,5%,1/8W,AA,TP,4	R219	2004-001914	R-METAL;39KOHM,2%,1/8W,AA,TP,1
....4	R910	2001-000290	R-CARBON;10KOHM,5%,1/8W,AA,TP,4	R822	2004-001983	R-METAL;2.49KOHM,1%,1/2W,AA,TP,2.4X6.4
....4	R606	2001-000290	R-CARBON;10KOHM,5%,1/8W,AA,TP,	△....4	RR004S	2004-004048	R-METAL(S);3.9Kohm,1%,1/2W,AA,TP,2.5x6.5
....4	R224	2001-000290	R-CARBON;10KOHM,5%,1/8W,AA,TP,4	R302	2004-001371	R-METAL(S);1.5KOHM,1%,1/2W,AA,
....4	R225	2001-000325	R-CARBON;1200HM,5%,1/8W,AA,TP,4	R306	2004-001371	R-METAL(S);1.5KOHM,1%,1/2W,AA,
....4	R205	2001-000397	R-CARBON;180KOHM,5%,1/8W,AA,TP4	R304	2008-000253	R-FUSIBLE(S);0.470HM,5%,1W,AF,
△....4	RR005S	2001-000397	R-CARBON;180KOHM,5%,1/8W,AA,TP4	R305	2008-000253	R-FUSIBLE(S);0.470HM,5%,1W,AF,
....4	R218	2001-000411	R-CARBON;18KOHM,5%,1/8W,AA,TP,4	R801	2008-001107	R-FUSIBLE(S);300ohm,5%,2W,AG,TP,3.9x12mm
△....4	RR002S	2001-000411	R-CARBON;18KOHM,5%,1/8W,AA,TP,4	R825	2008-000266	R-FUSIBLE(S);10HM,5%,2W,AF,TP,
....4	R602	2001-000429	R-CARBON;1Kohm,5%,1/8W,AA,TP,1.8x3.2mm4	R608	2008-000284	R-FUSIBLE(S);0.10HM,10%,2W,AF,TP,3.9X10M
....4	R604	2001-000429	R-CARBON;1Kohm,5%,1/8W,AA,TP,1.8x3.2mm4	R609	2008-000284	R-FUSIBLE(S);0.10HM,10%,2W,AF,TP,3.9X10M
....4	R926	2001-000429	R-CARBON;1Kohm,5%,1/8W,AA,TP,1.8x3.2mm4	R824	2008-000294	R-FUSIBLE;330HM,5%,2W,AF,TP,3
....4	R944	2001-000429	R-CARBON;1Kohm,5%,1/8W,AA,TP,1.8x3.2mm4	R422	2008-001011	R-FUSIBLE(S);0.180HM,10%,2W,AF
....4	R918	2001-000449	R-CARBON;2.2KOHM,5%,1/8W,AA,TP4	R421	2008-001011	R-FUSIBLE(S);0.180HM,10%,2W,AF
....4	R940	2001-000449	R-CARBON;2.2KOHM,5%,1/8W,AA,TP4	R420	2008-001047	R-FUSIBLE(S);68ohm,5%,2W,AF,TP,3.9x10mm
....4	R941	2001-000449	R-CARBON;2.2KOHM,5%,1/8W,AA,TP4	C806A	2201-000108	C-CERAMIC,DISC;1.5NF,10%,1KV,Y
....4	R220	2001-000472	R-CARBON;2.7KOHM,5%,1/8W,AA,TP4	C501	2201-000193	C-CERAMIC,DISC;10PF,0.25PF,50V
....4	R901	2001-000472	R-CARBON;2.7KOHM,5%,1/8W,AA,TP4	C302	2201-000259	C-CERAMIC,DISC;180PF,10%,500V,Y5P,6X4MM,
....4	R903	2001-000472	R-CARBON;2.7KOHM,5%,1/8W,AA,TP4	C816	2201-000375	C-CERAMIC,DISC;220PF,5%,50V,RH
....4	R907	2001-000472	R-CARBON;2.7KOHM,5%,1/8W,AA,TP	△....4	CR409S	2201-002028	C-CERAMIC,DISC;0.47nF,10%,2kV,Y5P,TP,7.5
....4	R908	2001-000472	R-CARBON;2.7KOHM,5%,1/8W,AA,TP4	C908	2201-000573	C-CERAMIC,DISC;47PF,5%,50V,NPO
....4	R607	2001-000472	R-CARBON;2.7KOHM,5%,1/8W,AA,TP4	C909	2201-000573	C-CERAMIC,DISC;47PF,5%,50V,NPO
....4	R214	2001-000490	R-CARBON;2000HM,5%,1/8W,AA,TP,4	C408	2201-000599	C-CERAMIC,DISC;560PF,10%,500V,
....4	R829	2001-000563	R-CARBON;27KOHM,5%,1/8W,AA,TP,1.8X3.2MM	△....4	CR404S	2201-000639	C-CERAMIC,DISC;680PF,10%,2KV,Y5P,-5MM,T
....4	R208	2001-000591	R-CARBON;3.3KOHM,5%,1/8W,AA,TP4	C503	2201-000723	C-CERAMIC,DISC;4.7nF,20%,3KV,Y5U,TP,16x5
△....4	RR001S	2001-000660	R-CARBON;33KOHM,5%,1/8W,AA,TP,4	C811	2201-000991	C-CERAMIC,HIC,CK45(T)B2KV561-K
....4	R202	2001-000689	R-CARBON;390KOHM,5%,1/8W,AA,TP4	C105	2202-000127	C-CERAMIC,MLC-AXIAL;10NF,+80-2
....4	R830	2001-000734	R-CARBON;4.7KOHM,5%,1/8W,AA,TP4	C111	2202-000127	C-CERAMIC,MLC-AXIAL;10NF,+80-2
....4	R925	2001-000734	R-CARBON;4.7KOHM,5%,1/8W,AA,TP4	C912	2202-000127	C-CERAMIC,MLC-AXIAL;10NF,+80-2
....4	R708	2001-000734	R-CARBON;4.7KOHM,5%,1/8W,AA,TP4	C223	2202-000796	C-CERAMIC,MLC-AXIAL;1NF,10%,50
....4	R227	2001-000739	R-CARBON;4.7MOHM,5%,1/8W,AA,TP4	C224	2202-000796	C-CERAMIC,MLC-AXIAL;1NF,10%,50
....4	R228	2001-000739	R-CARBON;4.7MOHM,5%,1/8W,AA,TP4	C602	2202-000796	C-CERAMIC,MLC-AXIAL;1NF,10%,50
....4	R109	2001-000786	R-CARBON;47KOHM,5%,1/8W,AA,TP,4	C906	2202-000796	C-CERAMIC,MLC-AXIAL;1NF,10%,50
....4	R927	2001-000793	R-CARBON;470HM,5%,1/8W,AA,TP,14	C505	2202-000106	C-CERAMIC,MLC-AXIAL;1.5nF,20%,16V,Y5P,TP
....4	R203	2001-000857	R-CARBON;560OHM,5%,1/8W,AA,TP,4	C226	2202-000829	C-CERAMIC,MLC-AXIAL;820pF,10%,50V,Y5P,TP
....4	R110	2001-000924	R-CARBON;680ohm,5%,1/8W,AA,TP,1.8x3.2mm4	C211	2202-002037	C-CERAMIC,MLC-AXIAL;100NF,+80-20
....4	R915	2001-000924	R-CARBON;680ohm,5%,1/8W,AA,TP,1.8x3.2mm4	C502	2301-000213	C-FILM,PEF;220NF,5%,250V,21.5X
....4	R108	2001-000947	R-CARBON;7.5KOHM,5%,1/8W,AA,TP4	C109	2301-000224	C-FILM,PEF;22NF,5%,50V,7.4X3.9
....4	R222	2001-000947	R-CARBON;7.5KOHM,5%,1/8W,AA,TP4	C804	2301-000224	C-FILM,PEF;22NF,5%,50V,7.4X3.9
....4	R605	2001-000947	R-CARBON;7.5KOHM,5%,1/8W,AA,TP4	C810	2301-000224	C-FILM,PEF;22NF,5%,50V,7.4X3.9
....4	R212	2001-000969	R-CARBON;75OHM,5%,1/8W,AA,TP,14	C309	2301-000254	C-FILM,PEF;39NF,5%,50V,7.5X3.5X6.5MM,5MM
....4	R215	2001-000969	R-CARBON;75OHM,5%,1/8W,AA,TP,14	C227	2301-000301	C-FILM,PEF;6.8NF,5%,50V,6.5X5.
....4	R610	2001-000969	R-CARBON;75OHM,5%,1/8W,AA,TP,14	C604	2301-000301	C-FILM,PEF;6.8NF,5%,50V,6.5X5.
....4	R408	2001-001037	R-CARBON(S);0.390HM,5%,1/2W,AA4	C217	2301-000342	C-FILM,PEF;2.2nF,5%,50V,TP,7.4x3.9x13mm,
....4	R504	2001-001062	R-CARBON(S);10MOHM,5%,1/2W,AA,4	C234	2301-000342	C-FILM,PEF;2.2nF,5%,50V,TP,7.4x3.9x13mm,
....4	R414	2001-001078	R-CARBON(S);15KOHM,5%,1/2W,AA,4	C805	2301-000342	C-FILM,PEF;2.2nF,5%,50V,TP,7.4x3.9x13mm,
....4	R832	2001-001088	R-CARBON(S);1KOHM,5%,1/2W,AA,TP,2.4X6.44	C407	2301-000383	C-FILM,PEF;10nF,5%,50V,TP,6x7x3.2mm,5mm
....4	R819	2001-001088	R-CARBON(S);1KOHM,5%,1/2W,AA,TP,2.4X6.44	C248	2301-000445	C-FILM,PEF;4.7nF,5%,50V,TP,5.5x7x3mm,5mm
....4	R820	2001-001088	R-CARBON(S);1KOHM,5%,1/2W,AA,TP,2.4X6.44	C232	2301-000445	C-FILM,PEF;4.7nF,5%,50V,TP,5.5x7x3mm,5mm
....4	R303	2003-002238	R-METAL OXIDE(S)1.30HM,5%2W,AF,TP,3.9X104	C420	2301-001065	C-FILM,MPEF;47NF,55,630V,TP,19
....4	R840	2001-001108	R-CARBON(S);22KOHM,5%,1/2W,AA,4	C312	2305-000149	C-FILM;CF922N100VT104-J-40/105
....4	R411	2001-001114	R-CARBON(S);270OHM,5%,1/2W,AA,4	C301	2305-000285	C-FILM,MPEF;220NF,5%,100V,-5M
....4	R821	2001-001131	R-CARBON(S);33KOHM,5%,1/2W,AA,4	C215	2305-000289	C-FILM,MPEF;220NF,5%,63V,-5MM
....4	R809	2001-001150	R-CARBON(S);470KOHM,5%,1/2W,AA4	C216	2305-000289	C-FILM,MPEF;220NF,5%,63V,-5MM
....4	R810	2001-001150	R-CARBON(S);470KOHM,5%,1/2W,AA4	C233	2305-000289	C-FILM,MPEF;220NF,5%,63V,-5MM
....4	R818	2001-001154	R-CARBON(S);5.1KOHM,5%,1/2W,AB	△....4	CR405S	2305-000382	C-FILM,MPEF;4.7NF,5%,400V,TP,-5MM.
....4	R805	2001-001170	R-CARBON(S);6.8OHM,5%,1/2W,AB,4	C916	2305-000411	C-FILM,MPEF;470NF,5%,50V,7.3X4
....4	R405	2001-001187	R-CARBON(S);750HM,5%,1/2W,AA,T4	C103	2305-000665	C-FILM;104J, 60V,5MM TAPING
....4	R831	2001-001192	R-CARBON(S);820OHM,5%,1/2W,AB,4	C207	2305-000665	C-FILM;104J, 60V,5MM TAPING
....4	R501H	2002-001008	R-COMPOSITION;1.8KOHM,10%1/2W,AA,TP,3.74	C208	2305-000665	C-FILM;104J, 60V,5MM TAPING
....4	R502H	2002-001008	R-COMPOSITION;1.8KOHM,10%1/2W,AA,TP,3.74	C210	2305-000665	C-FILM;104J, 60V,5MM TAPING
....4	R503	2002-001008	R-COMPOSITION;1.8KOHM,10%1/2W,AA,TP,3.74	C218	2305-000665	C-FILM;104J, 60V,5MM TAPING
△....4	RP801S	2002-001010	R-COMPOSITION;1.8MOHM,5%,1/2W,AA,TP,3.7X4	C222	2305-000665	C-FILM;104J, 60V,5MM TAPING
△....4	RY801S	2002-001013	R-COMPOSITION;4.7MOhm,5%,1/2W,AA,TP,3.7X4	C230	2305-000665	C-FILM;104J, 60V,5MM TAPING
....4	R402	2003-002178	R-METAL OXIDE(S) 1Kohm,5%,2W,AG,TP,3.9X14	C803	2305-000665	C-FILM;104J, 60V,5MM TAPING
....4	R316	2003-000652	R-METAL OXIDE(S);330ohm,5%,2W,AF,TP,4x124	C819	2305-000665	C-FILM;104J, 60V,5MM TAPING
....4	R413	2003-000664	R-METAL OXIDE(S);330HM,5%,2W,AF,TP,4X12M4	C913	2305-000665	C-FILM;104J, 60V,5MM TAPING
....4	R403	2003-002173	R-METAL OXIDE(S);7.5Kohm,5%,2W,AG,TP,3.94	C920	2305-000665	C-FILM;104J, 60V,5MM TAPING
....4	R827	2003-001023	R-METALOXIDE(S);120OHM,5%,2W,A4	C225	2309-000138	C-FILM,PE-PPE;100NF,5%,50V,TP,
....4	R407	2003-001040	R-METALOXIDE(S);47Kohm,5%,2W,AF,TP,3.9x14	C812	2401-000262	C-AL;100UF,20%,160V,GP,16X25MM,5MM,

Loc. No.	Code No.	Description ; Specification	Remark	Loc. No.	Code No.	Description ; Specification	Remark	
....4	C817	2401-000302	C-AL;100UF,20%,25V,GP,6X11MM,54	J110	3812-000219	WIRE-SO,COPPER;TAO.6SN/52M/M(A	
....4	C821	2401-000302	C-AL;100UF,20%,25V,GP,6X11MM,54	J111	3812-000219	WIRE-SO,COPPER;TAO.6SN/52M/M(A	
....4	C823	2401-000302	C-AL;100UF,20%,25V,GP,6X11MM,54	J112	3812-000219	WIRE-SO,COPPER;TAO.6SN/52M/M(A	
....4	C307	2401-000360	C-AL;100UF,20%,50V,GP,8X11MM,54	J113	3812-000219	WIRE-SO,COPPER;TAO.6SN/52M/M(A	
....4	C308	2401-000360	C-AL;100UF,20%,50V,GP,8X11MM,54	J114	3812-000219	WIRE-SO,COPPER;TAO.6SN/52M/M(A	
....4	C506	2401-000430	C-ELECTROLYTIC;CE04WTAPG250V104	J115	3812-000219	WIRE-SO,COPPER;TAO.6SN/52M/M(A	
△4	CR01S	2401-000480	C-AL;10UF,20%,50V,GP,5X11MM,5M4	J117	3812-000219	WIRE-SO,COPPER;TAO.6SN/52M/M(A
△4	CR02S	2401-000480	C-AL;10UF,20%,50V,GP,5X11MM,5M4	J120	3812-000219	WIRE-SO,COPPER;TAO.6SN/52M/M(A
....4	CE01	2401-000480	C-AL;10UF,20%,50V,GP,5X11MM,5M4	J121	3812-000219	WIRE-SO,COPPER;TAO.6SN/52M/M(A	
....4	C403	2401-000560	-AL;1UF,20%,160V,GP,GT,6.3,11MM4	J122	3812-000219	WIRE-SO,COPPER;TAO.6SN/52M/M(A	
....4	C219	2401-000603	C-AL;1UF,20%,50V,GP,5X11MM,5MM4	J123	3812-000219	WIRE-SO,COPPER;TAO.6SN/52M/M(A	
....4	C601	2401-000603	C-AL;1UF,20%,50V,GP,5X11MM,5MM4	J124	3812-000219	WIRE-SO,COPPER;TAO.6SN/52M/M(A	
....4	C603	2401-000603	C-AL;1UF,20%,50V,GP,5X11MM,5MM4	J128	3812-000219	WIRE-SO,COPPER;TAO.6SN/52M/M(A	
....4	C221	2401-000660	C-ELECTROLYTIC;CE04WTAPG50V2.24	J129	3812-000219	WIRE-SO,COPPER;TAO.6SN/52M/M(A	
....4	C212	2401-000660	C-ELECTROLYTIC;CE04WTAPG50V2.24	J130	3812-000219	WIRE-SO,COPPER;TAO.6SN/52M/M(A	
....4	C827	2401-000927	C-AL;22UF,20%,250V,GP,13X20MM,4	J131	3812-000219	WIRE-SO,COPPER;TAO.6SN/52M/M(A	
....4	C110	2401-000962	C-AL;22UF,20%,50V,GP,TP,5x11,54	J132	3812-000219	WIRE-SO,COPPER;TAO.6SN/52M/M(A	
....4	C802	2401-001192	C-AL;33UF,20%,50V,GP,6X11MM,5MM,TP4	J135	3812-000219	WIRE-SO,COPPER;TAO.6SN/52M/M(A	
....4	C504	2401-001232	C-AL;4.7UF,20%,250V,GP,10X12.54	J137	3812-000219	WIRE-SO,COPPER;TAO.6SN/52M/M(A	
....4	C304	2401-001397	C-AL;470UF,20%,25V,GP,10X16MM,4	J138	3812-000219	WIRE-SO,COPPER;TAO.6SN/52M/M(A	
....4	C306	2401-002288	C-ELEC;CE04-55/10525VT471-MWVRG4	J139	3812-000219	WIRE-SO,COPPER;TAO.6SN/52M/M(A	
....4	C209	2401-001840	C-AL;100UF,20%,16V,GP,TP,6.3X14	J140	3812-000219	WIRE-SO,COPPER;TAO.6SN/52M/M(A	
....4	C213	2401-001840	C-AL;100UF,20%,16V,GP,TP,6.3X14	J142	3812-000219	WIRE-SO,COPPER;TAO.6SN/52M/M(A	
....4	C229	2401-001840	C-AL;100UF,20%,16V,GP,TP,6.3X14	J150	3812-000219	WIRE-SO,COPPER;TAO.6SN/52M/M(A	
....4	C903	2401-001840	C-AL;100UF,20%,16V,GP,TP,6.3X14	J401	3812-000219	WIRE-SO,COPPER;TAO.6SN/52M/M(A	
....4	C910	2401-001840	C-AL;100UF,20%,16V,GP,TP,6.3X14	J604	3812-000219	WIRE-SO,COPPER;TAO.6SN/52M/M(A	
....4	C605	2401-001998	C-AL;1000UF,20%,25V,GP,TP,10X204	J605	3812-000219	WIRE-SO,COPPER;TAO.6SN/52M/M(A	
....4	C901	2401-002144	C-AL;47UF,20%,16V,GP,TP,5x11,54	J606	3812-000219	WIRE-SO,COPPER;TAO.6SN/52M/M(A	
....4	C203	2401-002235	C-ELECTROLYTIC;CE04W(T)16V10M4	J801	3812-000219	WIRE-SO,COPPER;TAO.6SN/52M/M(A	
....4	C206	2401-002235	C-ELECTROLYTIC;CE04W(T)16V10M4	J802	3812-000219	WIRE-SO,COPPER;TAO.6SN/52M/M(A	
....4	C220	2401-002235	C-ELECTROLYTIC;CE04W(T)16V10M4	J803	3812-000219	WIRE-SO,COPPER;TAO.6SN/52M/M(A	
....4	C231	2401-002235	C-ELECTROLYTIC;CE04W(T)16V10M4	J804	3812-000219	WIRE-SO,COPPER;TAO.6SN/52M/M(A	
....4	C820	2401-002235	C-ELECTROLYTIC;CE04W(T)16V10M4	J806	3812-000219	WIRE-SO,COPPER;TAO.6SN/52M/M(A	
....4	C813	2401-002290	C-AL;47UF,20%,160V,GP,TP,13x20,54	J807	3812-000219	WIRE-SO,COPPER;TAO.6SN/52M/M(A	
....4	C101	2401-002594	C-AL;220UF,20%,16V,GP,TP,8x11.5,54	J808	3812-000219	WIRE-SO,COPPER;TAO.6SN/52M/M(A	
....4	C406	2401-002619	C-AL;47UF,20%,25V,GP,TP,5x11,54	JAW02	3812-000219	WIRE-SO,COPPER;TAO.6SN/52M/M(A	
....4	C818	2401-003028	C-AL;100UF,20%,25V,GP,TP,6.3X14	L403	3812-000219	WIRE-SO,COPPER;TAO.6SN/52M/M(A	
....4	L103	2701-000114	INDUCTOR-AXIAL;10UH,10%,2.5X3.4	R229	3812-000219	WIRE-SO,COPPER;TAO.6SN/52M/M(A	
....4	L202	2701-000114	INDUCTOR-AXIAL;10UH,10%,2.5X3.4	R309	3812-000219	WIRE-SO,COPPER;TAO.6SN/52M/M(A	
....4	L903	2701-000114	INDUCTOR-AXIAL;10UH,10%,2.5X3.4	R507	3812-000219	WIRE-SO,COPPER;TAO.6SN/52M/M(A	
....4	R101	2701-000114	INDUCTOR-AXIAL;10UH,10%,2.5X3.4	R508	3812-000219	WIRE-SO,COPPER;TAO.6SN/52M/M(A	
....4	R102	2701-000114	INDUCTOR-AXIAL;10UH,10%,2.5X3.4	R509	3812-000219	WIRE-SO,COPPER;TAO.6SN/52M/M(A	
....4	L203	2701-000127	INDUCTOR-AXIAL;15UH,10%,2.5X3.4	R850	3812-000219	WIRE-SO,COPPER;TAO.6SN/52M/M(A	
....4	L301	2701-000142	INDUCTOR-AXIAL;1UH,10%,2.5X3.44	J822	3812-000219	WIRE-SO,COPPER;TAO.6SN/52M/M(A	
....4	L302	2701-000142	INDUCTOR-AXIAL;1UH,10%,2.5X3.44	J125	3812-000219	WIRE-SO,COPPER;TAO.6SN/52M/M(A	
....4	L404	2701-000142	INDUCTOR-AXIAL;1UH,10%,2.5X3.44	L805	3812-000219	WIRE-SO,COPPER;TAO.6SN/52M/M(A	
....4	L102	2701-000159	INDUCTORAXIAL;22uH,10%,4.2x9.8mm4	J601	3812-000219	WIRE-SO,COPPER;TAO.6SN/52M/M(A	
....4	L201	2701-000159	INDUCTORAXIAL;22uH,10%,4.2x9.8mm4	J811	3812-000219	WIRE-SO,COPPER;TAO.6SN/52M/M(A	
....4	L230	2701-000159	INDUCTORAXIAL;22uH,10%,4.2x9.8mm4	L206	3812-000219	WIRE-SO,COPPER;TAO.6SN/52M/M(A	
....4	L405	2701-000159	INDUCTORAXIAL;22uH,10%,4.2x9.8mm4	00VER	AA41-00625A	PCB-MAIN;CT2188,FR-1,1L,A,1.6T,245X245,K	
....4	L902	2701-000177	INDUCTOR-AXIAL;33UH,10%,2.5X3.4MM4	EY401	AA60-40011A	EYELET;-ID2.0,OD2.8,-,BST	
....4	L904	2701-000177	INDUCTOR-AXIAL;33UH,10%,2.5X3.4MM4	EY402	AA60-40011A	EYELET;-ID2.0,OD2.8,-,BST	
....4	L804	2701-001030	INDUCTOR-AXIAL;43uH,10%,14x4.5mm4	EY403	AA60-40011A	EYELET;-ID2.0,OD2.8,-,BST	
....4	L807	2701-001030	INDUCTOR-AXIAL;43uH,10%,14x4.5mm4	EY404	AA60-40011A	EYELET;-ID2.0,OD2.8,-,BST	
....4	X901	2801-003433	CRYSTAL-UNIT;12MHZ,30PPM,28-AAAM,30PF,3004	EY405	AA60-40011A	EYELET;-ID2.0,OD2.8,-,BST	
....4	L808	2901-000297	FILTER-EMI ON BOARD;-3A,-,-,3.5x5,TP,-4	EY414	AA60-40011A	EYELET;-ID2.0,OD2.8,-,BST	
....4	L806	3301-000287	CORE-FERRITEBEAD;AA,3.5X1.0X6.4	EY415	AA60-40011A	EYELET;-ID2.0,OD2.8,-,BST	
....4	L802	3301-000287	CORE-FERRITEBEAD;AA,3.5X1.0X6.4	EY416	AA60-40011A	EYELET;-ID2.0,OD2.8,-,BST	
....4	L803	3301-000287	CORE-FERRITEBEAD;AA,3.5X1.0X6.4	EY417	AA60-40011A	EYELET;-ID2.0,OD2.8,-,BST	
....4	J127	3301-000287	CORE-FERRITEBEAD;AA,3.5X1.0X6.4	EY418	AA60-40011A	EYELET;-ID2.0,OD2.8,-,BST	
....4	SW901	3404-000244	SWITCH-TACT;15V,20MA,90-170GF,4	EY419	AA60-40011A	EYELET;-ID2.0,OD2.8,-,BST	
....4	SW902	3404-000244	SWITCH-TACT;15V,20MA,90-170GF,4	EY420	AA60-40011A	EYELET;-ID2.0,OD2.8,-,BST	
....4	SW903	3404-000244	SWITCH-TACT;15V,20MA,90-170GF,4	EY421	AA60-40011A	EYELET;-ID2.0,OD2.8,-,BST	
....4	SW904	3404-000244	SWITCH-TACT;15V,20MA,90-170GF,4	EY501	AA60-40011A	EYELET;-ID2.0,OD2.8,-,BST	
....4	SW905	3404-000244	SWITCH-TACT;15V,20MA,90-170GF,4	EY819	AA60-40011A	EYELET;-ID2.0,OD2.8,-,BST	
△4	FD801S	FUSE-AXIAL LEAD;125V,5A,FAST-ACTING,GLAS4	EY827	AA60-40011A	EYELET;-ID2.0,OD2.8,-,BST	
....4	F801A	3602-000114	FUSE-HOLDER;-,-,30MOHM4	EY829	AA60-40011A	EYELET;-ID2.0,OD2.8,-,BST	
....4	F801B	3602-000114	FUSE-HOLDER;-,-,30MOHM4	EY833	AA60-40011A	EYELET;-ID2.0,OD2.8,-,BST	
....4	DZ804	3812-000219	WIRE-SO,COPPER;TAO.6SN/52M/M(A4	EY701	AA60-40011A	EYELET;-ID2.0,OD2.8,-,BST	
....4	J101	3812-000219	WIRE-SO,COPPER;TAO.6SN/52M/M(A4	EY702	AA60-40011A	EYELET;-ID2.0,OD2.8,-,BST	
....4	J102	3812-000219	WIRE-SO,COPPER;TAO.6SN/52M/M(A4	EL401	AA60-40011B	EYELET;-ID2.2,OD3.2,-,BSP	
....4	J103	3812-000219	WIRE-SO,COPPER;TAO.6SN/52M/M(A4	EL402	AA60-40011B	EYELET;-ID2.2,OD3.2,-,BSP	
....4	J104	3812-000219	WIRE-SO,COPPER;TAO.6SN/52M/M(A4	EL801	AA60-40011B	EYELET;-ID2.2,OD3.2,-,BSP	
....4	J105	3812-000219	WIRE-SO,COPPER;TAO.6SN/52M/M(A4	EL802	AA60-40011B	EYELET;-ID2.2,OD3.2,-,BSP	
....4	J106	3812-000219	WIRE-SO,COPPER;TAO.6SN/52M/M(A4	GT301	AA60-40014A	PIN-GT,ASSY;1P,-,-,AUTO	
....4	J107	3812-000219	WIRE-SO,COPPER;TAO.6SN/52M/M(A4	GT302	AA60-40014A	PIN-GT,ASSY;1P,-,-,AUTO	
....4	J108	3812-000219	WIRE-SO,COPPER;TAO.6SN/52M/M(A4	GT401	AA60-40014A	PIN-GT,ASSY;1P,-,-,AUTO	

Loc. No.	Code No.	Description ; Specification	Remark
....4	GT402	AA60-40014A PIN-GT,ASSY;1P,-,-,AUTO	
....4	GT501	AA60-40014A PIN-GT,ASSY;1P,-,-,AUTO	
....4	GT801	AA60-40014A PIN-GT,ASSY;1P,-,-,AUTO	
....4	GT802	AA60-40014A PIN-GT,ASSY;1P,-,-,AUTO	
....4	GT803	AA60-40014A PIN-GT,ASSY;1P,-,-,AUTO	
....4	GT804	AA60-40014A PIN-GT,ASSY;1P,-,-,AUTO	
....4	GT805	AA60-40014A PIN-GT,ASSY;1P,-,-,AUTO	
....4	Z201	2903-000129 FILTER-CERAMIC;BR,4.5MHz,-,-,TP,-	
....4	RE01	2001-000117 R-CARBON(S);68ohm,5%,1/2W,AA,TP,2.4x6.4mm	
....4	RE02	2001-000117 R-CARBON(S);68ohm,5%,1/2W,AA,TP,2.4x6.4mm	
....4	C915	2401-002009 C-AL;100UF,20%,16V,GP,TP,6.3X7	
....4	R505	2008-000264 R-FUSIBLE(S);10HM,5%,1W,AF,TP	
△4	CR403S 2306-000179 C-FILM,MPPF;300nF,5%,250V,TP,20x18.5x10.	
....4	C815	2401-000703 C-ELEC;CE04-40/8525VT222-MWSD	
△3	PWR/AC AA96-20129A ASSY-POWER,CORD,-,EP2/YES,H/C300,ME301P,AA39-10007Y POWER-CORD,-,EP2/YES,SPT-2 18AWGx2C,2.4mm AA61-20284A HOLDER P CORD;PPVO,BLK,KE-002	
....4		0204-000442 SOLVENT;CH3-CH5H-CH396%IM-1000	
....3		0202-000008 SOLDER-WIRE;S63S-D3.0,S63A,D3,63/37	
....3		0204-001024 FLUX;DF-96TVS,-,20%,	
....3		0202-000187 SOLDER-WIREFLUX,-,RS60S,D1,2.6	
....3	C801	2401-000822 C-ELECTROLYTIC;CE04W200V220U-H	
△3	NT801S 1404-001045 THERMISTOR NTC;4.70HM,15%,2900K,35.0MW,T	
△3	CY801S 2201-002002 C-CERAMIC,DISC;4700PF,20%,400V	
....3	JA703	3722-000184 JACK-RCA;2P;3.4MM,-,AG	
....3	JE601	3722-000143 JACK-PHONE;1P;3.4MM,-,MBAG	
....3	CN702A	AA39-20070D LEAD-CONNECTOR,ASSY,-,YBNH025-07,67096-0	
....3	CN603	3711-002642 POST-HEADER;67094-003(AUTO)	
△3	P803S 1404-001247 THERMISTOR-PTC;1.50HM;+30/-20,110V,140VA	

ASSY-COVER;FRONT

1	A/CFRNT	AA90-03255A ASSY-COVER;FRONT;K15D,19,USA	
..2	SPK+CF	6003-001026 SCREW-TAPTITE;RH,+B,M4,L15,ZPC(BLK),SWR	
..2	PA+CF	6006-001095 SCREW-ASSY TAPT;WP,BH,+M4,L12,ZPC(YEL)	
..2	S/CRT	AA60-00038A SPACER-CRT;PS,SHEET,T1.0,BLK,OD22,ID10.	
..2	CRT+CF	AA60-10050R SCREW-ASSY;WC,HH,+M5,L31.5,SWR	
..2	STOPPER	AA61-40113A STOPPER-PCB,-,ABS,HB,NTR.	
..2	F/C	AA64-00152A CABINET-FRONT;20F2,BK708P,HIPS,VO,BLK	
....3	KF+CF	6002-000512 SCREW-TAPPING;RH,+2,M4,L12,ZP	
....3	WR+CF	6002-000512 SCREW-TAPPING;RH,+2,M4,L12,ZP	
....3	SPRING	AA61-60003J SPRING-CS,-,SUS304,0.5,OD6,H	
....3	KC	AA64-00155B KNOB-CONTROL,-,20F2,-,ABS,HB,BLK	
....3	KP	AA64-00156B KNOB-POWER,-,20F2,NO-SILK,ABS,HB,BLK	
....3	WR	AA64-00157B WINDOW-REMOCON,-,20F2,-,PC,VO,VIOLET,-	
....3	IL	AA64-00158B INDICATOR-LED;20F2,ACRYL,CLR.	
..2	BADGE	AA64-70127F BADGE-BRAND;AL,SS,SILVER,R800	
..2	CWFC	AA65-30105A CLAMP-WIRE;NYLON 66N,VO,NTR,15MM	
..2	L/IND	AA68-00524A LABEL-INDICATOR;A/P 90(G),CXJ1352X/XAA,U	
..2	L/QMS	AA68-02391A LABEL-QMS;ART-PAPER(90)G,110x24mm	
..2	L/WARN	AA68-01618A LABEL-WARNING;WHTPAPER100	
..2	A/SPK	AA96-10141A ASSY-SPEAKER;3W,80HMX1,700	
....3	SPK	3001-001020 SPEAKER;3W,8ohm,90dB,140Hz	
....3	L/SPK	AA39-20501C LEAD CONNECTOR-ASSY,-,67096-003,REC,3(2)	
..2	CWIRE2	AA65-30018A CLAMP-WIRE,-,NYLON6.6,-,DATL	

ASSY COVER/REAR

1	A/REAR	AA90-01711A ASSY COVER/REAR;TXJ1996MHX/XAA	
..2	TAPE-DY	0203-001279 TAPE-OPP MASKING;#232,TO.14,W15,L50000,Y	
..2	CB+CF	6003-001026 SCREW-TAPTITE;RH,+B,M4,L15,ZPC(BLK),SWR	
..2	B/C	AA64-00154B CABINET-BACK,-,20F2 R1,-,HIPS,VO,BLK,-,-	
..2	AC+BC	AA65-30008A CLAMP-CORD,-,PE,HB,BLK,-,-	
..2	FBT	AA65-30018A CLAMP-WIRE,-,NYLON6.6,-,DATL	

Loc. No.	Code No.	Description ; Specification	Remark
ASSY-CPT			
1	A/CPT	AA91-04393A ASSY-CPT;A48KRD82X(H),+380MG,SEMI-TINT	
..2	CRT+DCOI	0203-001160 TAPE FILAMENT SCOTCH#8915,TO.16,W24,LO.1	
△	..2	CRT AA03-10029W CRT-COLOR;A48KRD82X(H),+380MG,SEMI-TINT.	
..2	C-Y	AA27-00002A MAGNET-CONVERGENCE;JH291-SC-OB,29.1M	
..2	D-COIL	AA27-00200A COIL DEGAUSSING,-,1.2MH,10%,30T,1.50HM,20	
..2	D-Y	AA27-50004W DEFL-YOKE,-,DSE-1992LL(1H),20/A48KRD82X	
..2	SPACER	AA63-60028A SPACER-DY,-,NEOPRENE,-,BLK,VOV	
..2	A/TBC	AA98-70014B ASSY-TBC,WIRE,20,NTSC,1P	
..2	CDCOIL	AA61-00734A HOLDER;25POLYVINYL,DEGAUSSING,CHLORI	
..2	TAPE-DY	0203-001303 TAPE-ACETATE;#1554,TO.25,W19,L30000,WHT	

ASSY BOX

1	A/BOX	AA92-02113A ASSY BOX;TXJ1996MHX/XAA	
..2	BOX	AA68-01542A LABEL;(UNIBOX),PAPER WHT ALLMD	
..2	PCK	AA69-00415A PACKING-CASE;CBDW,KRFT-LNR,275,20R1	

ASSY LABEL

1	A/LABEL	AA92-06256A ASSY LABEL;K15D,USA	
..2	L/RAT	AA68-02371A LABEL-RATING;ART-PAPER,90(S),SEA	
..2	L/CRT	AA68-01557A LABEL ENERGY;STAR,STATIC FREE FILM	
..2	L/SET	AA68-01568A LABEL;SET,A48KRD82X,SAMS.23-28KV	

ASSY P/MATERIAL

1	A/PACK	AA92-02667A ASSY P/MATERIAL;TXJ1996MHX/XAA	
..2	BXTAPE	0203-001295 TAPE-OPP MASKING;1242,TO.06,W100,L91.4M,	
..2	STAPLE	AA60-40006A PIN-STAPLE,-,-,H18,33X17.8X2	
..2	C/SET	AA69-01637A CUSHION-SET;20R1/F2NEW,(SAMEX),EPS,C=0.0	
..2	PE-BAG	AA69-01192A BAG PE;CT20S1BZ,19-20C0M,W40,H48,2	

ASSY-ACCESSORY

1	A/ACCE	AA92-05389A ASSY-ACCESSORY;K15D,19,USA	
..2	AC-TAPE	0203-001279 TAPE-OPP MASKING;#232,TO.14,W15,L50000,Y	
..2	C/WARR	AA68-01433A CARD WARRANTY;TV/TVCR,ALL,W/P100(G),B5,	
..2	B/WARR	AA68-01561A CARD WARRANTY;BLOCK,STATEMENT ONLY,SEA/S	
..2	C/REG	AA68-01969A CARD;REGISTRATION PRODUCT,W/P120(G),SEA	
..2	BAG-PE	AA69-01195A BAG PE;CL29A6W8X,HDPETO.012,93/4X151	
..2	RMT	AA59-10102B REMOCON;DP,TM58,AA59-10100B,	
..2	I/B	AA68-02340A MANUAL USERS,-,ENG,USA,W/P100(G),B5,K15D,	

7-3 TXM1997X/XAC

Loc. No.	Code No.	Description ; Specification	Remark
ASSY-CHASSIS			
1	A/CHASSI AA91-04207A	ASSY-CHASSIS;K15D,19,USA	
.2	AC+BC AA65-30008A	CLAMP-CORD;-PE,HB,BLK,-,-	
.2	CLW/HS AA65-30018A	CLAMP-WIRE;-NYLON6.6,-,-,DATL	
.2	CWIRE2 AA65-30018A	CLAMP-WIRE;-NYLON6.6,-,-,DATL	
.2	FBT AA65-30018A	CLAMP-WIRE;-NYLON6.6,-,-,DATL	
.2	A/MAIN AA94-08282F	ASSY PCB MAIN;TXM1966,K15D,SAMEX	
...3	Q401 0502-001115	TR-POWER;KSC5386,NPN,50W,TO-3PF,ST,8	
△...3	PC801S 0604-001038	PHOTOCOUPLER;TR,130-260%,200MW	
...3	IC902 1103-001209	IC-EEPROM;AT24C04-PC27 C,512Kx8Bit,DIP,8	
△...3	CX801S 2306-000318	C-FILM,MPPF;220NF,20%,250V,-,2	
△...3	CR401S 2303-001015	C-FILM,PPFF;5.5NF,5%,1.6KV,TP	
△...3	SF101S 2904-001221	FILTER-SAW AV,45.75MHz,SIP5K,ST,14.2dB,M	
...3	SWN01 3404-000295	SW-TACT,V;KPT1122R1KEYSTT-0.3M	
△...3	FP801S 3601-000144	FUSE-FERRULE;125V,4A,SLOWBLOW,	
△...3	V999S 3704-001105	SOCKET-CRT;11P,20PI,26.5PI,NL,-	
...3	CN704 3711-002646	POST-HEADER;67094-007(AUTO)	
...3	JA701 3722-000162	JACK-PIN;2P,3.4MM,-,SN	
△...3	IC201S AA09-00295A	IC MICOM;TDA9377PS/N2/AI,SPM-458AN,64P,3	
△...3	T801S AA26-00172A	TRANS-SWITCHING;EER3543,K15D,90-264,PM2A	
△...3	T444S AA26-00065A	TRANS FBT;-FSV-14A004C(S),14-22,125V	
△...3	T401 AA26-50001B	HORIZ.DRIVE;-;7.1MH,102UH,10-2	
△...3	LR401S AA27-00053A	COIL-LINEARLITY;-;193uH,DR10X10 C.4.35,7	
△...3	LR801S AA29-30001D	FILTER-LINE;-;6.0MH,2A,-,SQ191	
...3	RM901 AA32-00015A	MODULE-REMOCON;FRP-3521H31,38KHZ,940MM,M	
...3	CN501 AA39-20620B	LEAD-CONNECTOR;ASSY,9P,YBNH250-09,S,400m	
△...3	TU01S AA40-00073A	TUNER-TECC1040PG32A(S),181CH,45.75MHZ,75	
...3	IC301 AA96-00244A	ASSY H/S;-;AA62-00046A,LA7840,-	
...4	0205-000129	GREASE-SILICON;SC102,JAPAN	
...4	1204-001483	IC-VERTICAL PROCCSSO;LA7840,SIP,7P,708MI	
...4	6003-000335	SCREW-TAPTITE;RH,+,2S,M3,L8,ZPC(YEL),SWR	
...4	AA62-00046A	HEAT SINK-PS;-;T1.0,-,D1(DREAM) 60X25X	
...3	IC601 AA96-00244D	ASSY H/S;-;SOUND,AA62-00046A,TDA7266M,-	
...4	0205-000129	GREASE-SILICON;SC102,JAPAN	
...4	1201-001600	IC-AUDIO AMP;7266,ZSIP,15P,-,SINGLE,26dB	
...4	6003-000335	SCREW-TAPTITE;RH,+,2S,M3,L8,ZPC(YEL),SWR	
...4	AA62-00046A	HEAT SINK-PS;-;T1.0,-,D1(DREAM) 60X25X	
△...3	IC802 AA96-00245A	ASSY H/S;-;AA62-00055A,KA7632,-	
...4	1203-001939	IC-POSIFIXED REG.;7632,SIP,10P,-,PLASTI	
...4	6003-000334	SCREW-TAPTITE;RH,+,2S,M3,L6,ZP	
...4	AA62-00055A	HEAT SINK-PS;-;T1.0,-,35*15*25,D1,-,-	
...3	LD901 AA96-00555A	ASSY LED GUIDE;-;LJEX-LD-030,GREEN	
...3	IC501 AA96-50311A	ASSY-H/S;-;VIDEO,AA62-30175D,TDA6107Q,-	
...4	1201-001159	ICVIDEOAMP;TDA6107Q,ZIP,9P,300	
...4	6003-000334	SCREW-TAPTITE;RH,+,2S,M3,L6,ZP	
...4	AA62-30175D	HEATSINK-PS;-;SECC,T1.0,-,33X15X30FT-2	
△...3	IC801S AA96-50395F	ASSY H/S;-;POWER,AA62-30190A,5Q0740RT	
...4	0205-000129	GREASE-SILICON;SC102,JAPAN	
...4	1203-002466	IC-PWM CONTROLLER;KA500740RT,TO220F-5L,5	
...4	6003-000334	SCREW-TAPTITE;RH,+,2S,M3,L6,ZP	
...4	AA62-30190A	-;SECC-CA,T1.0,-,-,Cr03 A	
...3	AA97-07230G	ASSY AUTO-MAIN;-;K15D,SAMEX	
...4	D201 0401-000005	DIODE;1N4148,100V,300mA,-,1V,8nS,TAPING	
...4	D601 0401-000005	DIODE;1N4148,100V,300mA,-,1V,8nS,TAPING	
△...4	D804 0401-000005	DIODE;1N4148,100V,300mA,-,1V,8nS,TAPING	
△...4	D808 0401-000005	DIODE;1N4148,100V,300mA,-,1V,8nS,TAPING	
△...4	D811 0401-000005	DIODE;1N4148,100V,300mA,-,1V,8nS,TAPING	
△...4	DR003S 0401-000005	DIODE;1N4148,100V,300mA,-,1V,8nS,TAPING	
△...4	D803 0401-000006	DIODE-SWITCHING;BAV21,250MA,400MW,50NS,2	
△...4	D303 0402-000132	DIODE-RECTIFIER;1N4004,400V,1A,DO-41	
△...4	D809 0402-000132	DIODE-RECTIFIER;1N4004,400V,1A,DO-41	
...4	D501 0402-000254	DIODE-RECTIFIER;RGP10J,600V,1A,DO-41	
△...4	DR001S 0402-000254	DIODE-RECTIFIER;RGP10J,600V,1A,DO-41	
△...4	D807 0402-000493	DIODE-RECTIFIER;1R5GU41,400V,1	
△...4	D302 0402-000534	DIODE-RECTIFIER;RG10V,400V,1.5	
△...4	D805 0402-000540	DIODE-RECTIFIER;RU20A,600V,1.5	
...4	D301 0402-001105	DIODE-RECTIFIER;ERB43-04SV1,40	
...4	D304 0402-001105	DIODE-RECTIFIER;ERB43-04SV1,40	
...4	D401 0402-001105	DIODE-RECTIFIER;ERB43-04SV1,40	
...4	D502 0402-001105	DIODE-RECTIFIER;ERB43-04SV1,40	

Loc. No.	Code No.	Description ; Specification	Remark
...4	D503 0402-001105	DIODE-RECTIFIER;ERB43-04SV1,40	
...4	D504 0402-001105	DIODE-RECTIFIER;ERB43-04SV1,40	
△...4	D812 0402-001105	DIODE-RECTIFIER;ERB43-04SV1,40	
△...4	D801S 0402-001111	AB01-19ACTIFIER;1N5397GP600V,1.5A,DO-20	
△...4	D802S 0402-001111	AB01-19ACTIFIER;1N5397GP600V,1.5A,DO-20	
△...4	D803S 0402-001111	AB01-19ACTIFIER;1N5397GP600V,1.5A,DO-20	
△...4	D804S 0402-001111	AB01-19ACTIFIER;1N5397GP600V,1.5A,DO-20	
△...4	DR002S 0403-000508	DIODE-ZENER;MTZJ5.6B,5.6V,5.45-5.73V,500	
...4	DZ211 0403-000508	DIODE-ZENER;MTZJ5.6B,5.6V,5.45-5.73V,500	
...4	DZ401 0403-000508	DIODE-ZENER;MTZJ5.6B,5.6V,5.45-5.73V,500	
...4	DZ402 0403-000508	DIODE-ZENER;MTZJ5.6B,5.6V,5.45-5.73V,500	
...4	DZ903 0403-000508	DIODE-ZENER;MTZJ5.6B,5.6V,5.45-5.73V,500	
...4	DZ904 0403-000508	DIODE-ZENER;MTZJ5.6B,5.6V,5.45-5.73V,500	
...4	DZ905 0403-000508	DIODE-ZENER;MTZJ5.6B,5.6V,5.45-5.73V,500	
...4	DZ803 0403-000699	DIODE-ZENER;TZP27B,27V,27-30.8	
...4	DZ101 0403-000700	DIODE-ZENER;TZP33A,33V,31-35V,	
...4	DZ303 0403-000700	DIODE-ZENER;TZP33A,33V,31-35V,	
...4	DZ604 0403-000719	DIODE-ZENER;MTZJ7.5B,7.5V,7.07-7.45V,500	
...4	DZ201 0403-000720	DIODE-ZENER;MTZJ9.1B,9.1V,8.57-9.01V,500	
...4	DZ202 0403-000720	DIODE-ZENER;MTZJ9.1B,9.1V,8.57-9.01V,500	
...4	DZ205 0403-000720	DIODE-ZENER;MTZJ9.1B,9.1V,8.57-9.01V,500	
...4	DZ306 0403-000720	DIODE-ZENER;MTZJ9.1B,9.1V,8.57-9.01V,500	
...4	DZ307 0403-000720	DIODE-ZENER;MTZJ9.1B,9.1V,8.57-9.01V,500	
...4	DZ501 0403-000720	DIODE-ZENER;MTZJ9.1B,9.1V,8.57-9.01V,500	
...4	DZ502 0403-000720	DIODE-ZENER;MTZJ9.1B,9.1V,8.57-9.01V,500	
...4	DZ503 0403-000720	DIODE-ZENER;MTZJ9.1B,9.1V,8.57-9.01V,500	
...4	DZ504 0403-000720	DIODE-ZENER;MTZJ9.1B,9.1V,8.57-9.01V,500	
...4	DZ806 0403-000720	DIODE-ZENER;MTZJ9.1B,9.1V,8.57-9.01V,500	
...4	DZ807 0403-000720	DIODE-ZENER;MTZJ9.1B,9.1V,8.57-9.01V,500	
...4	DZ808 0403-000720	DIODE-ZENER;MTZJ9.1B,9.1V,8.57-9.01V,500	
...4	DZ801 0403-001140	DIODE-ZENER;RD10ESAB-T4,10V,9.19-10.30V,	
...4	DZ204 0403-001211	DIODE-ZENER;MTZJ12B,11.44-12.03V,500MW,D	
...4	DZ302 0403-001221	DIODE-ZENER;UZ39B8,35.36-37.19V,500MW,D	
...4	DZ802 0403-001318	DIODE-ZENER;MTZJ4.3B,4.17-4.43V,500mW,DO	
...4	DZ901 0403-001373	DIODE-ZENER;MTZJ5.1A,4.81V-5.07V,500mW,D	
...4	DZ805 0403-001327	DIODE-ZENER;MTZJ18A,16.22-17.06V,500mW,D	
...4	DZ301 0403-001328	DIODE-ZENER;MTZJ22A,20.15-21.20V,500mW,D	
...4	DZ305 0403-001328	DIODE-ZENER;MTZJ22A,20.15-21.20V,500mW,D	
...4	Q201 0501-000283	TRANSISTOR;KSA539-Y(TAPG)/YTAM	
...4	Q901 0501-000283	TRANSISTOR;KSA539-Y(TAPG)/YTAM	
△...4	QR001S 0501-000283	TRANSISTOR;KSA539-Y(TAPG)/YTAM	
...4	Q402 0501-000369	TRANSISTOR;KSC2331-Y(TAPG)	
...4	Q202 0501-002183	TR-SMALL SIG;KTC9014,NPN,625MW,TO-92,100	
...4	Q601 0501-002183	TR-SMALL SIG;KTC9014,NPN,625MW,TO-92,100	
...4	Q802 0501-002183	TR-SMALL SIG;KTC9014,NPN,625MW,TO-92,100	
...4	IC803 1203-001217	IC-POST,ADJUSTREG;431,TO-92,3P,4.58MIL,P	
...4	R207 2001-000005	R-CARBON;390OHM,5%,1/8W,AA,TP	
...4	R905 2001-000005	R-CARBON;390OHM,5%,1/8W,AA,TP	
...4	R906 2001-000005	R-CARBON;390OHM,5%,1/8W,AA,TP	
...4	R206 2001-000010	R-CARBON;68Kohm,5%,1/8W,AA,TP,1.8x3.2mm	
...4	R301 2001-000016	R-CARBON(S);10HM,5%,1/2W,AA,TP	
...4	R843 2001-000019	R-CARBON(S);10ohm,5%,1/2W,AA,TP,2.4x6.4m	
...4	R409 2001-000022	R-CARBON(S);330HM,5%,1/2W,AA,T	
...4	R823 2001-000037	R-CARBON(S);330OHM,5%,1/2W,AA,	
...4	R808 2001-000109	R-CARBON(S);470OHM,5%,1/2W,AA,	
...4	R902 2001-000241	R-CARBON;1.5KOHM,5%,1/8W,AA,TP	
...4	R904 2001-000241	R-CARBON;1.5KOHM,5%,1/8W,AA,TP	
...4	R287 2001-000273	R-CARBON;100KOHM,5%,1/8W,AA,TP	
...4	R211 2001-000281	R-CARBON;100OHM,5%,1/8W,AA,TP	
...4	R233 2001-000281	R-CARBON;100OHM,5%,1/8W,AA,TP	
...4	R501 2001-000281	R-CARBON;100OHM,5%,1/8W,AA,TP	
...4	R502 2001-000281	R-CARBON;100OHM,5%,1/8W,AA,TP	
...4	R506 2001-000281	R-CARBON;100OHM,5%,1/8W,AA,TP	
...4	R510 2001-000281	R-CARBON;100OHM,5%,1/8W,AA,TP	
...4	R511 2001-000281	R-CARBON;100OHM,5%,1/8W,AA,TP	
...4	R512 2001-000281	R-CARBON;100OHM,5%,1/8W,AA,TP	
...4	R909 2001-000281	R-CARBON;100OHM,5%,1/8W,AA,TP	
...4	R911 2001-000281	R-CARBON;100OHM,5%,1/8W,AA,TP	
...4	R912 2001-000281	R-CARBON;100OHM,5%,1/8W,AA,TP	
...4	R913 2001-000281	R-CARBON;100OHM,5%,1/8W,AA,TP	
...4	R914 2001-000281	R-CARBON;100OHM,5%,1/8W,AA,TP	
...4	R917 2001-000281	R-CARBON;100OHM,5%,1/8W,AA,TP	
...4	R933 2001-000281	R-CARBON;100OHM,5%,1/8W,AA,TP	

Electrical Parts List

Loc. No.	Code No.	Description ; Specification	Remark	Loc. No.	Code No.	Description ; Specification	Remark
....4	R934	2001-000281	R-CARBON;1000HM,5%,1/8W,AA,TP,4	R803	2003-002102	R-METAL OXIDE;68Kohm,5%,2W,AF,TP,4x12mm
....4	R942	2001-000281	R-CARBON;1000HM,5%,1/8W,AA,TP,4	R804	2003-002102	R-METAL OXIDE;68Kohm,5%,2W,AF,TP,4x12mm
....4	R943	2001-000281	R-CARBON;1000HM,5%,1/8W,AA,TP,4	R603	2004-000195	R-METAL;100Kohm,1%,1/8W,AA,TP,1.8x3.2mm
....4	R291A	2001-000290	R-CARBON;10KOHM,5%,1/8W,AA,TP,4	R423	2004-001373	R-METAL,FILM;RM1/2T100K-F
....4	R601	2001-000290	R-CARBON;10KOHM,5%,1/8W,AA,TP,4	R817	2004-001377	R-METAL(S);120KOHM,1%,1/2W,AA,TP,2.4X6.4
....4	R612	2001-000290	R-CARBON;10KOHM,5%,1/8W,AA,TP,	△....4	RR003S	2004-001376	R-METAL(S);11KOHM,1%,1/2W,AA,T
....4	R807	2001-000290	R-CARBON;10KOHM,5%,1/8W,AA,TP,4	R424	2004-001402	R-METAL(S);6.8KOHM,1%,1/2W,AA,
....4	R828	2001-000290	R-CARBON;10KOHM,5%,1/8W,AA,TP,4	R219	2004-001914	R-METAL;39KOHM,2%,1/8W,AA,TP,1
....4	R910	2001-000290	R-CARBON;10KOHM,5%,1/8W,AA,TP,4	R822	2004-001983	R-METAL;2.49KOHM,1%,1/2W,AA,TP,2.4X6.4
....4	R606	2001-000290	R-CARBON;10KOHM,5%,1/8W,AA,TP,	△....4	RR004S	2004-004048	R-METAL(S);3.9Kohm,1%,1/2W,AA,TP,2.5x6.5
....4	R224	2001-000290	R-CARBON;10KOHM,5%,1/8W,AA,TP,4	R302	2004-001371	R-METAL(S);1.5KOHM,1%,1/2W,AA,
....4	R225	2001-000325	R-CARBON;1200HM,5%,1/8W,AA,TP,4	R306	2004-001371	R-METAL(S);1.5KOHM,1%,1/2W,AA,
....4	R205	2001-000397	R-CARBON;180KOHM,5%,1/8W,AA,TP4	R304	2008-000253	R-FUSIBLE(S);0.470HM,5%,1W,AF,
△....4	RR005S	2001-000397	R-CARBON;180KOHM,5%,1/8W,AA,TP4	R305	2008-000253	R-FUSIBLE(S);0.470HM,5%,1W,AF,
....4	R218	2001-000411	R-CARBON;18KOHM,5%,1/8W,AA,TP,4	R801	2008-001107	R-FUSIBLE(S);300ohm,5%,2W,AG,TP,3.9x12mm
△....4	RR002S	2001-000411	R-CARBON;18KOHM,5%,1/8W,AA,TP,4	R825	2008-000266	R-FUSIBLE(S);10HM,5%,2W,AF,TP,
....4	R602	2001-000429	R-CARBON;1Kohm,5%,1/8W,AA,TP,1.8x3.2mm4	R608	2008-000284	R-FUSIBLE(S);0.10HM,10%,2W,AF,TP,3.9X10M
....4	R604	2001-000429	R-CARBON;1Kohm,5%,1/8W,AA,TP,1.8x3.2mm4	R609	2008-000284	R-FUSIBLE(S);0.10HM,10%,2W,AF,TP,3.9X10M
....4	R926	2001-000429	R-CARBON;1Kohm,5%,1/8W,AA,TP,1.8x3.2mm4	R824	2008-000294	R-FUSIBLE;330HM,5%,2W,AF,TP,3
....4	R944	2001-000429	R-CARBON;1Kohm,5%,1/8W,AA,TP,1.8x3.2mm4	R422	2008-001011	R-FUSIBLE(S);0.180HM,10%,2W,AF
....4	R918	2001-000449	R-CARBON;2.2KOHM,5%,1/8W,AA,TP4	R421	2008-001011	R-FUSIBLE(S);0.180HM,10%,2W,AF
....4	R940	2001-000449	R-CARBON;2.2KOHM,5%,1/8W,AA,TP4	R420	2008-001047	R-FUSIBLE(S);68ohm,5%,2W,AF,TP,3.9x10mm
....4	R941	2001-000449	R-CARBON;2.2KOHM,5%,1/8W,AA,TP4	C806A	2201-000108	C-CERAMIC,DISC;1.5NF,10%,1KV,Y
....4	R220	2001-000472	R-CARBON;2.7KOHM,5%,1/8W,AA,TP4	C501	2201-000193	C-CERAMIC,DISC;10PF,0.25PF,50V
....4	R901	2001-000472	R-CARBON;2.7KOHM,5%,1/8W,AA,TP4	C302	2201-000259	C-CERAMIC,DISC;180PF,10%,500V,Y5P,6X4MM,
....4	R903	2001-000472	R-CARBON;2.7KOHM,5%,1/8W,AA,TP4	C816	2201-000375	C-CERAMIC,DISC;220PF,5%,50V,RH
....4	R907	2001-000472	R-CARBON;2.7KOHM,5%,1/8W,AA,TP	△....4	CR409S	2201-002028	C-CERAMIC,DISC;0.47nF,10%,2kV,Y5P,TP,7.5
....4	R908	2001-000472	R-CARBON;2.7KOHM,5%,1/8W,AA,TP4	C908	2201-000573	C-CERAMIC,DISC;47PF,5%,50V,NPO
....4	R607	2001-000472	R-CARBON;2.7KOHM,5%,1/8W,AA,TP4	C909	2201-000573	C-CERAMIC,DISC;47PF,5%,50V,NPO
....4	R214	2001-000490	R-CARBON;2000HM,5%,1/8W,AA,TP,4	C408	2201-000599	C-CERAMIC,DISC;560PF,10%,500V,
....4	R829	2001-000563	R-CARBON;27KOHM,5%,1/8W,AA,TP,1.8X3.2MM	△....4	CR404S	2201-000639	C-CERAMIC,DISC;680PF,10%,2KV,Y5P,-5MM,T
....4	R208	2001-000591	R-CARBON;3.3KOHM,5%,1/8W,AA,TP4	C503	2201-000723	C-CERAMIC,DISC;4.7nF,20%,3KV,Y5U,TP,16x5
△....4	RR001S	2001-000660	R-CARBON;33KOHM,5%,1/8W,AA,TP,4	C811	2201-000991	C-CERAMIC,HIC,CK45(T)B2KV561-K
....4	R202	2001-000689	R-CARBON;390KOHM,5%,1/8W,AA,TP4	C105	2202-000127	C-CERAMIC,MLC-AXIAL;10NF,+80-2
....4	R830	2001-000734	R-CARBON;4.7KOHM,5%,1/8W,AA,TP4	C111	2202-000127	C-CERAMIC,MLC-AXIAL;10NF,+80-2
....4	R925	2001-000734	R-CARBON;4.7KOHM,5%,1/8W,AA,TP4	C912	2202-000127	C-CERAMIC,MLC-AXIAL;10NF,+80-2
....4	R708	2001-000734	R-CARBON;4.7KOHM,5%,1/8W,AA,TP4	C223	2202-000796	C-CERAMIC,MLC-AXIAL;1NF,10%,50
....4	R227	2001-000739	R-CARBON;4.7MOHM,5%,1/8W,AA,TP4	C224	2202-000796	C-CERAMIC,MLC-AXIAL;1NF,10%,50
....4	R228	2001-000739	R-CARBON;4.7MOHM,5%,1/8W,AA,TP4	C602	2202-000796	C-CERAMIC,MLC-AXIAL;1NF,10%,50
....4	R109	2001-000786	R-CARBON;47KOHM,5%,1/8W,AA,TP,4	C906	2202-000796	C-CERAMIC,MLC-AXIAL;1NF,10%,50
....4	R927	2001-000793	R-CARBON;470HM,5%,1/8W,AA,TP,14	C505	2202-000106	C-CERAMIC,MLC-AXIAL;1.5nF,20%,16V,Y5P,TP
....4	R203	2001-000857	R-CARBON;560OHM,5%,1/8W,AA,TP,4	C226	2202-000829	C-CERAMIC,MLC-AXIAL;820pF,10%,50V,Y5P,TP
....4	R110	2001-000924	R-CARBON;680ohm,5%,1/8W,AA,TP,1.8x3.2mm4	C211	2202-002037	C-CERAMIC,MLC-AXIAL;100NF,+80-20
....4	R915	2001-000924	R-CARBON;680ohm,5%,1/8W,AA,TP,1.8x3.2mm4	C502	2301-000213	C-FILM,PEF;220NF,5%,250V,21.5X
....4	R108	2001-000947	R-CARBON;7.5KOHM,5%,1/8W,AA,TP4	C109	2301-000224	C-FILM,PEF;22NF,5%,50V,7.4X3.9
....4	R222	2001-000947	R-CARBON;7.5KOHM,5%,1/8W,AA,TP4	C804	2301-000224	C-FILM,PEF;22NF,5%,50V,7.4X3.9
....4	R605	2001-000947	R-CARBON;7.5KOHM,5%,1/8W,AA,TP4	C810	2301-000224	C-FILM,PEF;22NF,5%,50V,7.4X3.9
....4	R212	2001-000969	R-CARBON;75OHM,5%,1/8W,AA,TP,14	C309	2301-000254	C-FILM,PEF;39NF,5%,50V,7.5X3.5X6.5MM,5MM
....4	R215	2001-000969	R-CARBON;75OHM,5%,1/8W,AA,TP,14	C227	2301-000301	C-FILM,PEF;6.8NF,5%,50V,6.5X5.
....4	R610	2001-000969	R-CARBON;75OHM,5%,1/8W,AA,TP,14	C604	2301-000301	C-FILM,PEF;6.8NF,5%,50V,6.5X5.
....4	R408	2001-001037	R-CARBON(S);0.390HM,5%,1/2W,AA4	C217	2301-000342	C-FILM,PEF;2.2nF,5%,50V,TP,7.4x3.9x13mm,
....4	R504	2001-001062	R-CARBON(S);10MOHM,5%,1/2W,AA,4	C234	2301-000342	C-FILM,PEF;2.2nF,5%,50V,TP,7.4x3.9x13mm,
....4	R414	2001-001078	R-CARBON(S);15KOHM,5%,1/2W,AA,4	C805	2301-000342	C-FILM,PEF;2.2nF,5%,50V,TP,7.4x3.9x13mm,
....4	R832	2001-001088	R-CARBON(S);1KOHM,5%,1/2W,AA,TP,2.4X6.44	C407	2301-000383	C-FILM,PEF;10nF,5%,50V,TP,6x7x3.2mm,5mm
....4	R819	2001-001088	R-CARBON(S);1KOHM,5%,1/2W,AA,TP,2.4X6.44	C248	2301-000445	C-FILM,PEF;4.7nF,5%,50V,TP,5.5x7x3mm,5mm
....4	R820	2001-001088	R-CARBON(S);1KOHM,5%,1/2W,AA,TP,2.4X6.44	C232	2301-000445	C-FILM,PEF;4.7nF,5%,50V,TP,5.5x7x3mm,5mm
....4	R303	2003-002238	R-METAL OXIDE(S)1.30HM,5%2W,AF,TP,3.9X104	C420	2301-001065	C-FILM,MPEF;47NF,55,630V,TP,19
....4	R840	2001-001108	R-CARBON(S);22KOHM,5%,1/2W,AA,4	C312	2305-000149	C-FILM;CF922N100VT104-J-40/105
....4	R411	2001-001114	R-CARBON(S);270OHM,5%,1/2W,AA,4	C301	2305-000285	C-FILM,MPEF;220NF,5%,100V,-5M
....4	R821	2001-001131	R-CARBON(S);33KOHM,5%,1/2W,AA,4	C215	2305-000289	C-FILM,MPEF;220NF,5%,63V,-5MM
....4	R809	2001-001150	R-CARBON(S);470KOHM,5%,1/2W,AA4	C216	2305-000289	C-FILM,MPEF;220NF,5%,63V,-5MM
....4	R810	2001-001150	R-CARBON(S);470KOHM,5%,1/2W,AA4	C233	2305-000289	C-FILM,MPEF;220NF,5%,63V,-5MM
....4	R818	2001-001154	R-CARBON(S);5.1KOHM,5%,1/2W,AB	△....4	CR405S	2305-000382	C-FILM,MPEF;4.7NF,5%,400V,TP,-5MM.
....4	R805	2001-001170	R-CARBON(S);6.8OHM,5%,1/2W,AB,4	C916	2305-000411	C-FILM,MPEF;470NF,5%,50V,7.3X4
....4	R405	2001-001187	R-CARBON(S);750HM,5%,1/2W,AA,T4	C103	2305-000665	C-FILM;104J, 60V,5MM TAPING
....4	R831	2001-001192	R-CARBON(S);820OHM,5%,1/2W,AB,4	C207	2305-000665	C-FILM;104J, 60V,5MM TAPING
....4	R501H	2002-001008	R-COMPOSITION;1.8KOHM,10%1/2W,AA,TP,3.74	C208	2305-000665	C-FILM;104J, 60V,5MM TAPING
....4	R502H	2002-001008	R-COMPOSITION;1.8KOHM,10%1/2W,AA,TP,3.74	C210	2305-000665	C-FILM;104J, 60V,5MM TAPING
....4	R503	2002-001008	R-COMPOSITION;1.8KOHM,10%1/2W,AA,TP,3.74	C218	2305-000665	C-FILM;104J, 60V,5MM TAPING
△....4	RP801S	2002-001010	R-COMPOSITION;1.8MOHM,5%,1/2W,AA,TP,3.7X4	C222	2305-000665	C-FILM;104J, 60V,5MM TAPING
△....4	RY801S	2002-001013	R-COMPOSITION;4.7MOhm,5%,1/2W,AA,TP,3.7X4	C230	2305-000665	C-FILM;104J, 60V,5MM TAPING
....4	R402	2003-002178	R-METAL OXIDE(S) 1Kohm,5%,2W,AG,TP,3.9X14	C803	2305-000665	C-FILM;104J, 60V,5MM TAPING
....4	R316	2003-000652	R-METAL OXIDE(S);330ohm,5%,2W,AF,TP,4x124	C819	2305-000665	C-FILM;104J, 60V,5MM TAPING
....4	R413	2003-000664	R-METAL OXIDE(S);330HM,5%,2W,AF,TP,4X12M4	C913	2305-000665	C-FILM;104J, 60V,5MM TAPING
....4	R403	2003-002173	R-METAL OXIDE(S);7.5Kohm,5%,2W,AG,TP,3.94	C920	2305-000665	C-FILM;104J, 60V,5MM TAPING
....4	R827	2003-001023	R-METALOXIDE(S);120OHM,5%,2W,A4	C225	2309-000138	C-FILM,PE-PPE;100NF,5%,50V,TP,
....4	R407	2003-001040	R-METALOXIDE(S);47Kohm,5%,2W,AF,TP,3.9x14	C812	2401-000262	C-AL;100UF,20%,160V,GP,16X25MM,5MM,

Loc. No.	Code No.	Description ; Specification	Remark	Loc. No.	Code No.	Description ; Specification	Remark
....4	C817	2401-000302	C-AL;100UF,20%,25V,GP,6X11MM,54	J110	3812-000219	WIRE-SO,COPPER;TAO.6SN/52M/M(A
....4	C821	2401-000302	C-AL;100UF,20%,25V,GP,6X11MM,54	J111	3812-000219	WIRE-SO,COPPER;TAO.6SN/52M/M(A
....4	C823	2401-000302	C-AL;100UF,20%,25V,GP,6X11MM,54	J112	3812-000219	WIRE-SO,COPPER;TAO.6SN/52M/M(A
....4	C307	2401-000360	C-AL;100UF,20%,50V,GP,8X11MM,54	J113	3812-000219	WIRE-SO,COPPER;TAO.6SN/52M/M(A
....4	C308	2401-000360	C-AL;100UF,20%,50V,GP,8X11MM,54	J114	3812-000219	WIRE-SO,COPPER;TAO.6SN/52M/M(A
....4	C506	2401-000430	C-ELECTROLYTIC;CE04WTAPG250V104	J115	3812-000219	WIRE-SO,COPPER;TAO.6SN/52M/M(A
△	CR01S	2401-000480	C-AL;10UF,20%,50V,GP,5X11MM,5M4	J117	3812-000219	WIRE-SO,COPPER;TAO.6SN/52M/M(A
△	CR02S	2401-000480	C-AL;10UF,20%,50V,GP,5X11MM,5M4	J120	3812-000219	WIRE-SO,COPPER;TAO.6SN/52M/M(A
....4	CE01	2401-000480	C-AL;10UF,20%,50V,GP,5X11MM,5M4	J121	3812-000219	WIRE-SO,COPPER;TAO.6SN/52M/M(A
....4	C403	2401-000560	-AL;1UF,20%,160V,GP,GT,6.3,11MM4	J122	3812-000219	WIRE-SO,COPPER;TAO.6SN/52M/M(A
....4	C219	2401-000603	C-AL;1UF,20%,50V,GP,5X11MM,5MM4	J123	3812-000219	WIRE-SO,COPPER;TAO.6SN/52M/M(A
....4	C601	2401-000603	C-AL;1UF,20%,50V,GP,5X11MM,5MM4	J124	3812-000219	WIRE-SO,COPPER;TAO.6SN/52M/M(A
....4	C603	2401-000603	C-AL;1UF,20%,50V,GP,5X11MM,5MM4	J128	3812-000219	WIRE-SO,COPPER;TAO.6SN/52M/M(A
....4	C221	2401-000660	C-ELECTROLYTIC;CE04WTAPG50V2.24	J129	3812-000219	WIRE-SO,COPPER;TAO.6SN/52M/M(A
....4	C212	2401-000660	C-ELECTROLYTIC;CE04WTAPG50V2.24	J130	3812-000219	WIRE-SO,COPPER;TAO.6SN/52M/M(A
....4	C827	2401-000927	C-AL;22UF,20%,250V,GP,13X20MM,4	J131	3812-000219	WIRE-SO,COPPER;TAO.6SN/52M/M(A
....4	C110	2401-000962	C-AL;22UF,20%,50V,GP,TP,5x11.54	J132	3812-000219	WIRE-SO,COPPER;TAO.6SN/52M/M(A
....4	C802	2401-001192	C-AL;33UF,20%,50V,GP,6X11MM,5MM,TP4	J135	3812-000219	WIRE-SO,COPPER;TAO.6SN/52M/M(A
....4	C504	2401-001232	C-AL;4.7UF,20%,250V,GP,10X12.54	J137	3812-000219	WIRE-SO,COPPER;TAO.6SN/52M/M(A
....4	C304	2401-001397	C-AL;470UF,20%,25V,GP,10X16MM,4	J138	3812-000219	WIRE-SO,COPPER;TAO.6SN/52M/M(A
....4	C306	2401-002288	C-ELEC;CE04-55/10525VT471-MWVRG4	J139	3812-000219	WIRE-SO,COPPER;TAO.6SN/52M/M(A
....4	C209	2401-001840	C-AL;100UF,20%,16V,GP,TP,6.3X14	J140	3812-000219	WIRE-SO,COPPER;TAO.6SN/52M/M(A
....4	C213	2401-001840	C-AL;100UF,20%,16V,GP,TP,6.3X14	J142	3812-000219	WIRE-SO,COPPER;TAO.6SN/52M/M(A
....4	C229	2401-001840	C-AL;100UF,20%,16V,GP,TP,6.3X14	J150	3812-000219	WIRE-SO,COPPER;TAO.6SN/52M/M(A
....4	C903	2401-001840	C-AL;100UF,20%,16V,GP,TP,6.3X14	J401	3812-000219	WIRE-SO,COPPER;TAO.6SN/52M/M(A
....4	C910	2401-001840	C-AL;100UF,20%,16V,GP,TP,6.3X14	J604	3812-000219	WIRE-SO,COPPER;TAO.6SN/52M/M(A
....4	C605	2401-001998	C-AL;1000UF,20%,25V,GP,TP,10X204	J605	3812-000219	WIRE-SO,COPPER;TAO.6SN/52M/M(A
....4	C901	2401-002144	C-AL;47UF,20%,16V,GP,TP,5x11.54	J606	3812-000219	WIRE-SO,COPPER;TAO.6SN/52M/M(A
....4	C203	2401-002235	C-ELECTROLYTIC;CE04W(T)16V10M4	J801	3812-000219	WIRE-SO,COPPER;TAO.6SN/52M/M(A
....4	C206	2401-002235	C-ELECTROLYTIC;CE04W(T)16V10M4	J802	3812-000219	WIRE-SO,COPPER;TAO.6SN/52M/M(A
....4	C220	2401-002235	C-ELECTROLYTIC;CE04W(T)16V10M4	J803	3812-000219	WIRE-SO,COPPER;TAO.6SN/52M/M(A
....4	C231	2401-002235	C-ELECTROLYTIC;CE04W(T)16V10M4	J804	3812-000219	WIRE-SO,COPPER;TAO.6SN/52M/M(A
....4	C820	2401-002235	C-ELECTROLYTIC;CE04W(T)16V10M4	J806	3812-000219	WIRE-SO,COPPER;TAO.6SN/52M/M(A
....4	C813	2401-002290	C-AL;47UF,20%,160V,GP,TP,13x20,54	J807	3812-000219	WIRE-SO,COPPER;TAO.6SN/52M/M(A
....4	C101	2401-002594	C-AL;220UF,20%,16V,GP,TP,8x11.5,54	J808	3812-000219	WIRE-SO,COPPER;TAO.6SN/52M/M(A
....4	C406	2401-002619	C-AL;47UF,20%,25V,GP,TP,5x11.54	JAW02	3812-000219	WIRE-SO,COPPER;TAO.6SN/52M/M(A
....4	C818	2401-003028	C-AL;100UF,20%,25V,GP,TP,6.3X14	L403	3812-000219	WIRE-SO,COPPER;TAO.6SN/52M/M(A
....4	L103	2701-000114	INDUCTOR-AXIAL;10UH,10%,2.5X3.4	R229	3812-000219	WIRE-SO,COPPER;TAO.6SN/52M/M(A
....4	L202	2701-000114	INDUCTOR-AXIAL;10UH,10%,2.5X3.4	R309	3812-000219	WIRE-SO,COPPER;TAO.6SN/52M/M(A
....4	L903	2701-000114	INDUCTOR-AXIAL;10UH,10%,2.5X3.4	R507	3812-000219	WIRE-SO,COPPER;TAO.6SN/52M/M(A
....4	R101	2701-000114	INDUCTOR-AXIAL;10UH,10%,2.5X3.4	R508	3812-000219	WIRE-SO,COPPER;TAO.6SN/52M/M(A
....4	R102	2701-000114	INDUCTOR-AXIAL;10UH,10%,2.5X3.4	R509	3812-000219	WIRE-SO,COPPER;TAO.6SN/52M/M(A
....4	L203	2701-000127	INDUCTOR-AXIAL;15UH,10%,2.5X3.4	R850	3812-000219	WIRE-SO,COPPER;TAO.6SN/52M/M(A
....4	L301	2701-000142	INDUCTOR-AXIAL;1UH,10%,2.5X3.44	J822	3812-000219	WIRE-SO,COPPER;TAO.6SN/52M/M(A
....4	L302	2701-000142	INDUCTOR-AXIAL;1UH,10%,2.5X3.44	J125	3812-000219	WIRE-SO,COPPER;TAO.6SN/52M/M(A
....4	L404	2701-000142	INDUCTOR-AXIAL;1UH,10%,2.5X3.44	L805	3812-000219	WIRE-SO,COPPER;TAO.6SN/52M/M(A
....4	L102	2701-000159	INDUCTORAXIAL;22uH,10%,4.2x9.8mm4	J601	3812-000219	WIRE-SO,COPPER;TAO.6SN/52M/M(A
....4	L201	2701-000159	INDUCTORAXIAL;22uH,10%,4.2x9.8mm4	J811	3812-000219	WIRE-SO,COPPER;TAO.6SN/52M/M(A
....4	L230	2701-000159	INDUCTORAXIAL;22uH,10%,4.2x9.8mm4	L206	3812-000219	WIRE-SO,COPPER;TAO.6SN/52M/M(A
....4	L405	2701-000159	INDUCTORAXIAL;22uH,10%,4.2x9.8mm4	00VER	AA41-00625A	PCB-MAIN;CT2188,FR-1,1L,A,1.6T,245X245,K
....4	L902	2701-000177	INDUCTOR-AXIAL;33UH,10%,2.5X3.4MM4	EY401	AA60-40011A	EYELET;-ID2.0,OD2.8,-,BST
....4	L904	2701-000177	INDUCTOR-AXIAL;33UH,10%,2.5X3.4MM4	EY402	AA60-40011A	EYELET;-ID2.0,OD2.8,-,BST
....4	L804	2701-001030	INDUCTOR-AXIAL;43uH,10%,14x4.5mm4	EY403	AA60-40011A	EYELET;-ID2.0,OD2.8,-,BST
....4	L807	2701-001030	INDUCTOR-AXIAL;43uH,10%,14x4.5mm4	EY404	AA60-40011A	EYELET;-ID2.0,OD2.8,-,BST
....4	X901	2801-003433	CRYSTAL-UNIT;12MHZ,30PPM,28-AAAM,30PF,3004	EY405	AA60-40011A	EYELET;-ID2.0,OD2.8,-,BST
....4	L808	2901-000297	FILTER-EMI ON BOARD;-3A,-,-,3.5x5,TP,-4	EY414	AA60-40011A	EYELET;-ID2.0,OD2.8,-,BST
....4	L806	3301-000287	CORE-FERRITEBEAD;AA,3.5X1.0X6.4	EY415	AA60-40011A	EYELET;-ID2.0,OD2.8,-,BST
....4	L802	3301-000287	CORE-FERRITEBEAD;AA,3.5X1.0X6.4	EY416	AA60-40011A	EYELET;-ID2.0,OD2.8,-,BST
....4	L803	3301-000287	CORE-FERRITEBEAD;AA,3.5X1.0X6.4	EY417	AA60-40011A	EYELET;-ID2.0,OD2.8,-,BST
....4	J127	3301-000287	CORE-FERRITEBEAD;AA,3.5X1.0X6.4	EY418	AA60-40011A	EYELET;-ID2.0,OD2.8,-,BST
....4	SW901	3404-000244	SWITCH-TACT;15V,20MA,90-170GF,4	EY419	AA60-40011A	EYELET;-ID2.0,OD2.8,-,BST
....4	SW902	3404-000244	SWITCH-TACT;15V,20MA,90-170GF,4	EY420	AA60-40011A	EYELET;-ID2.0,OD2.8,-,BST
....4	SW903	3404-000244	SWITCH-TACT;15V,20MA,90-170GF,4	EY421	AA60-40011A	EYELET;-ID2.0,OD2.8,-,BST
....4	SW904	3404-000244	SWITCH-TACT;15V,20MA,90-170GF,4	EY501	AA60-40011A	EYELET;-ID2.0,OD2.8,-,BST
....4	SW905	3404-000244	SWITCH-TACT;15V,20MA,90-170GF,4	EY819	AA60-40011A	EYELET;-ID2.0,OD2.8,-,BST
△	FD801S	3601-001086	FUSE-AXIAL LEAD;125V,5A,FAST-ACTING,GLAS4	EY827	AA60-40011A	EYELET;-ID2.0,OD2.8,-,BST
....4	F801A	3602-000114	FUSE-HOLDER;-,-,30MOHM4	EY829	AA60-40011A	EYELET;-ID2.0,OD2.8,-,BST
....4	F801B	3602-000114	FUSE-HOLDER;-,-,30MOHM4	EY833	AA60-40011A	EYELET;-ID2.0,OD2.8,-,BST
....4	DZ804	3812-000219	WIRE-SO,COPPER;TAO.6SN/52M/M(A4	EY701	AA60-40011A	EYELET;-ID2.0,OD2.8,-,BST
....4	J101	3812-000219	WIRE-SO,COPPER;TAO.6SN/52M/M(A4	EY702	AA60-40011A	EYELET;-ID2.0,OD2.8,-,BST
....4	J102	3812-000219	WIRE-SO,COPPER;TAO.6SN/52M/M(A4	EL401	AA60-40011B	EYELET;-ID2.2,OD3.2,-,BSP
....4	J103	3812-000219	WIRE-SO,COPPER;TAO.6SN/52M/M(A4	EL402	AA60-40011B	EYELET;-ID2.2,OD3.2,-,BSP
....4	J104	3812-000219	WIRE-SO,COPPER;TAO.6SN/52M/M(A4	EL801	AA60-40011B	EYELET;-ID2.2,OD3.2,-,BSP
....4	J105	3812-000219	WIRE-SO,COPPER;TAO.6SN/52M/M(A4	EL802	AA60-40011B	EYELET;-ID2.2,OD3.2,-,BSP
....4	J106	3812-000219	WIRE-SO,COPPER;TAO.6SN/52M/M(A4	GT301	AA60-40014A	PIN-GT,ASSY;1P,-,-,AUTO
....4	J107	3812-000219	WIRE-SO,COPPER;TAO.6SN/52M/M(A4	GT302	AA60-40014A	PIN-GT,ASSY;1P,-,-,AUTO
....4	J108	3812-000219	WIRE-SO,COPPER;TAO.6SN/52M/M(A4	GT401	AA60-40014A	PIN-GT,ASSY;1P,-,-,AUTO

Loc. No.	Code No.	Description ; Specification	Remark
....4	GT402	AA60-40014A PIN-GT,ASSY;1P,-,-,AUTO	
....4	GT501	AA60-40014A PIN-GT,ASSY;1P,-,-,AUTO	
....4	GT801	AA60-40014A PIN-GT,ASSY;1P,-,-,AUTO	
....4	GT802	AA60-40014A PIN-GT,ASSY;1P,-,-,AUTO	
....4	GT803	AA60-40014A PIN-GT,ASSY;1P,-,-,AUTO	
....4	GT804	AA60-40014A PIN-GT,ASSY;1P,-,-,AUTO	
....4	GT805	AA60-40014A PIN-GT,ASSY;1P,-,-,AUTO	
....4	Z201	2903-000129 FILTER-CERAMIC;BR,4.5MHz,-,-,TP,-	
....4	RE01	2001-000117 R-CARBON(S);68ohm,5%,1/2W,AA,TP,2.4x6.4mm	
....4	RE02	2001-000117 R-CARBON(S);68ohm,5%,1/2W,AA,TP,2.4x6.4mm	
....4	C915	2401-002009 C-AL;100UF,20%,16V,GP,TP,6.3X7	
....4	R505	2008-000264 R-FUSIBLE(S);10HM,5%,1W,AF,TP	
△	CR403S	2306-000179 C-FILM,MPPF;300nF,5%,250V,TP,20x18.5x10.	
....4	C815	2401-000703 C-ELEC;CE04-40/8525VT222-MWSD	
△	...3	PWR/AC AA96-20129A ASSY-POWER,CORD;-,-,EP2/YES,H/C300,ME301P,	
....44	AA39-10007Y POWER-CORD;-,-,EP2/YES,SPT-2 18AWGx2C,2.4mm	
....44	AA61-20284A HOLDER P CORD;PPVO,BLK,KE-002	
....33	0204-000442 SOLVENT;CH3-CH5H-CH396%IM-1000	
....33	0202-000008 SOLDER-WIRE;S63S-D3.0,S63A,D3,63/37	
....33	0204-001024 FLUX;DF-96TVS,-,20%,-	
....33	0204-001024 C-ELECTROLYTIC;CE04W200V220U-H	
....3	C801	2401-000822 C-ELECTROLYTIC;CE04W200V220U-H	
△	...3	NT801S 1404-001045 THERMISTOR NTC;4.70HM,15%,2900K,35.0MW,T	
△	...3	CY801S 2201-002002 C-CERAMIC,DISC;4700PF,20%,400V	
....3	JA703	3722-000184 JACK-RCA;2P;3.4MM,-,AG	
....3	JE601	3722-000143 JACK-PHONE;1P;3.4MM,-,MBAG	
....3	CN702A	AA39-20070D LEAD-CONNECTOR,ASSY;-,-,YBNH025-07,67096-0	
....3	CN603	3711-002642 POST-HEADER;67094-003(AUTO)	
△	...3	P803S 1404-001247 THERMISTOR-PTC;1.50HM;+30/-20,110V,140VA	

ASSY-COVER/FRONT

1	A/CFRNT	AA90-03254A ASSY-COVER/FRONT;K15D,20F2,BLK,CANADA	
..2	SPK+CF	6003-001026 SCREW-TAPTITE;RH,+B,M4,L15,ZPC(BLK),SWR	
..2	PA+CF	6006-001095 SCREW-ASSY TAPT;WP,BH,+M4,L12,ZPC(YEL)	
..2	S/CRT	AA60-00038A SPACER-CRT;PS,SHEET,T1.0,BLK,OD22,ID10.	
..2	CRT+CF	AA60-10050R SCREW-ASSY;WC,HH,+M5,L31.5,SWR	
..2	STOPPER	AA61-40113A STOPPER-PCB;-,-,ABS,HB,NTR.	
..2	F/C	AA64-00152A CABINET-FRONT;20F2,BK708P,HIPS,VO,BLK	
....3	KF+CF	6002-000512 SCREW-TAPPING;RH,+2,M4,L12,ZP	
....3	WR+CF	6002-000512 SCREW-TAPPING;RH,+2,M4,L12,ZP	
....3	SPRING	AA61-60003J SPRING-CS;-,-,SUS304,0.5,OD6,H	
....3	KC	AA64-00155B KNOB-CONTROL;-,-,20F2,-,ABS,HB,BLK	
....3	KP	AA64-00156B KNOB-POWER;-,-,20F2,NO-SILK,ABS,HB,BLK	
....3	WR	AA64-00157B WINDOW-REMOCON;-,-,20F2,-,PC,VO,VIOLET,-	
....3	IL	AA64-00158B INDICATOR-LED;20F2,ACRYL,CLR.	
..2	BADGE	AA64-70127F BADGE-BRAND;AL,SS,SILVER,R800	
..2	CWFC	AA65-30105A CLAMP-WIRE;NYLON 66N,VO,NTR,15MM	
..2	L/QMS	AA68-02391A LABEL-QMS;ART-PAPER(90)G,110x24mm	
..2	L/WARN	AA68-01619A LABELWARNING;ARTPAPER90(S)	
..2	A/SPK	AA96-10141A ASSY-SPEAKER;3W,80HMX1,700	
....3	SPK	3001-001020 SPEAKER;3W,80ohm,90dB,140Hz	
....3	L/SPK	AA39-20501C LEAD CONNECTOR-ASSY;-,-,67096-003,REC,3(2)	
..2	CWIRE2	AA65-30018A CLAMP-WIRE;-,-,NYLON6.6,-,-,DATL	
..2	L/FUSE	AA68-01556A LABEL CAUTION;ARTPAPER90(S)SCSA	

ASSY COVER/REAR

1	A/REAR	AA90-01711A ASSY COVER/REAR;TXJ1996MHX/XAA	
..2	TAPE-DY	0203-001279 TAPE-OPP MASKING;#232,TO.14,W15,L50000,Y	
..2	CB+CF	6003-001026 SCREW-TAPTITE;RH,+B,M4,L15,ZPC(BLK),SWR	
..2	B/C	AA64-00154B CABINET-BACK;-,-,20F2 R1,-,HIPS,VO,BLK,-,-	
..2	AC+BC	AA65-30008A CLAMP-CORD;-,-,PE,HB,BLK,-,-	
..2	FBT	AA65-30018A CLAMP-WIRE;-,-,NYLON6.6,-,-,DATL	

Loc. No.	Code No.	Description ; Specification	Remark
ASSY-CPT			
1	A/CPT	AA91-04393A ASSY-CPT;A48KRD82X(H),+380MG,SEMI-TINT	
..2	CRT+DCOI	0203-001160 TAPE FILAMENT SCOTCH#8915,TO.16,W24,L0.1	
△	..2	CRT AA03-10029W CRT-COLOR;A48KRD82X(H),+380MG,SEMI-TINT.	
..2	C-Y	AA27-00002A MAGNET-CONVERGENCE;JH291-SC-OB,29.1M	
..2	D-COIL	AA27-00200A COIL DEGAUSSING,-,1.2MH,10%,30T,1.50HM,20	
..2	D-Y	AA27-50004W DEFL-YOKE;-,-,DSE-1992LL(1H),20/A48KRD82X	
..2	SPACER	AA63-60028A SPACER-DY;-,-,NEOPRENE,-,BLK,VOW	
..2	A/TBC	AA98-70014B ASSY-TBC,WIRE;20,NTSC,1P	
..2	CDCOIL	AA61-00734A HOLDER;25POLYVINYL,DEGAUSSING,CHLORI	
..2	TAPE-DY	0203-001303 TAPE-ACETATE;#1554,TO.25,W19,L30000,WHT	

ASSY BOX

1	A/BOX	AA92-02113A ASSY BOX;TXJ1996MHX/XAA	
..2	BOX	AA68-01542A LABEL;(UNIBOX),PAPER WHT ALLMD	
..2	PCK	AA69-00415A PACKING-CASE;CBDW,KRFT-LNR,275,20R1	

ASSY-LABEL

1	A/LABEL	AA92-05380A ASSY-LABEL;K15D,19,CANADA	
..2	L/RAT	AA68-01617A LABEL-RATING;TETRONEPAPER90(S)	
..2	L/CRT	AA68-01557A LABEL ENERGY;STAR,STATIC FREE FILM	
..2	L/CSA	AA68-01543A LABEL;CSA A/V ORIGIN,BLUE,CANADA	
..2	L/DOC	AA68-00563A LABEL-DOC;A/P 90(G),CANADA,WHT/BLUE,70X2	
..2	L/WARN	AA68-01620A LABEL-WARNING;ARTPAPER90(S)	

ASSY P/MATERIAL

1	A/PACK	AA92-02667A ASSY P/MATERIAL;TXJ1996MHX/XAA	
..2	BXTAPE	0203-001295 TAPE-OPP MASKING;1242,TO.06,W100,L91.4M,	
..2	STAPLE	AA60-40006A PIN-STAPLE;-,-,H18,33X17.8X2	
..2	C/SET	AA69-01637A CUSHION-SET;20R1/F2NEW,(SAMEX),EPS,C=0.0	
..2	PE-BAG	AA69-01192A BAG PE;CT20S1BZ,19-20COM,W40",H48,2	

ASSY-ACCESSORY

1	A/ACCE	AA92-05440A ASSY-ACCESSORY;K15D,19,CANADA	
..2	AC-TAPE	0203-001279 TAPE-OPP MASKING;#232,TO.14,W15,L50000,Y	
..2	B/WARR	AA68-01561A CARD WARRANTY;BLOCK,STATEMENT ONLY,SEA/S	
..2	C/REG	AA68-01553A CARD-REGISTRATION;WHTPAPER120S,SECA	
..2	BAG-PE	AA69-01195A BAG PE;CL29A6W8X,HDPETO.012,93/4X151	
..2	RMT	AA59-10102B REMOCON;DP,TM58,AA59-10100B,	
..2	BATT	4301-000120 BATTERY-MN;1.5V,-,AA	
..2	W/CARD	AA68-00682C CARD WARRANTY;PDP,W/P120(G),SECA,B5,BOTH	
..2	I/B1	AA68-02458A MANUAL-USERS;ENG,USA,W/P100(G),B5,K15D	
..2	I/B2	AA68-02459A MANUAL-USERS;FRE,W/P100(G),B5,K15D	

7-4 TXM1367X/XAA

Loc. No.	Code No.	Description ; Specification	Remark	Loc. No.	Code No.	Description ; Specification	Remark
ASSY-CHASSIS							
1	*	AA91-04395A	ASSY-CHASSIS;K15D,13,USA	...	D503	0402-001105	DIODE-RECTIFIER;ERB43-04SV1,40
.2	AC+BC	AA65-30008A	CLAMP-CORD;-;PE,HB,BLK,-;-	...	D504	0402-001105	DIODE-RECTIFIER;ERB43-04SV1,40
.2	CLW/HS	AA65-30018A	CLAMP-WIRE;-;NYLON6.6,-;-;DATL	△	D812	0402-001105	DIODE-RECTIFIER;ERB43-04SV1,40
.2	CWIRE2	AA65-30018A	CLAMP-WIRE;-;NYLON6.6,-;-;DATL	△	D801S	0402-001111	AB01-19ACTIFIER;1N5397GP,600V,1.5A,DO-20
.2	FBT	AA65-30018A	CLAMP-WIRE;-;NYLON6.6,-;-;DATL	△	D802S	0402-001111	AB01-19ACTIFIER;1N5397GP,600V,1.5A,DO-20
.2	A/MAIN	AA94-08643A	ASSY PCB MAIN;TXM1366,K15D,SAMEX	△	D803S	0402-001111	AB01-19ACTIFIER;1N5397GP,600V,1.5A,DO-20
...	Q401	0502-001115	TR-POWER;KSC5386,NPN,50W,TO-3PF,ST,8	△	D804S	0402-001111	AB01-19ACTIFIER;1N5397GP,600V,1.5A,DO-20
△	PC801S	0604-001038	PHOTOCOUPLER;TR,130-260%,200MW	△	DR002S	0403-000508	DIODE-ZENER;MTZJ5.6B,5.6V,5.45-5.73V,500
...	C902	1103-001209	IC-EEPROM;AT24C04-PC27 C,512Kx8Bit,DIP,8	△	DZ211	0403-000508	DIODE-ZENER;MTZJ5.6B,5.6V,5.45-5.73V,500
△	CX801S	2306-000318	C-FILM,MPPF;220NF,20%,250V,-,2	...	DZ401	0403-000508	DIODE-ZENER;MTZJ5.6B,5.6V,5.45-5.73V,500
△	CR401S	2303-001015	C-FILM,PPFF;5.5NF,5%,1.6KV,TP,	...	DZ402	0403-000508	DIODE-ZENER;MTZJ5.6B,5.6V,5.45-5.73V,500
△	SF101S	2904-001221	FILTER-SAW AV,45.75MHz,SIP5K,ST,14.2dB,M	...	DZ903	0403-000508	DIODE-ZENER;MTZJ5.6B,5.6V,5.45-5.73V,500
...	SWN01	3404-000295	SW-TACT.V;KPT1122R1KEYSTT-0.3M	...	DZ904	0403-000508	DIODE-ZENER;MTZJ5.6B,5.6V,5.45-5.73V,500
△	FP801S	3601-000144	FUSE-FERRULE;125V,4A,SLOWBLOW,	...	DZ905	0403-000508	DIODE-ZENER;MTZJ5.6B,5.6V,5.45-5.73V,500
△	V999S	3704-001089	SOCKET CRT;9P;22.5PI,12PI,SN,13	...	DZ803	0403-000699	DIODE-ZENER;TZP27B,27V,27-30.8
...	CN704	3711-002646	POST-HEADER;67094-007(AUTO)	...	DZ101	0403-000700	DIODE-ZENER;TZP33A,33V,31-35V
...	JA701	3722-000162	JACK-PIN;2P;3.4MM,-,SN	...	DZ303	0403-000700	DIODE-ZENER;TZP33A,33V,31-35V
△	IC201S	AA09-00295A	IC MICOM;TDA9377PS/N2/AI,SPM-458AN,64P3	...	DZ604	0403-000719	DIODE-ZENER;MTZJ7.5B,7.5V,7.07-7.45V,500
△	T801S	AA26-00172A	TRANS-SWITCHING;EER3543,K15D,90-264,PM2A	...	DZ201	0403-000720	DIODE-ZENER;MTZJ9.1B,9.1V,8.57-9.01V,500
△	T444S	AA26-00065A	TRANS FBT;-;FSV-14A004C(S),14-22,125V	...	DZ202	0403-000720	DIODE-ZENER;MTZJ9.1B,9.1V,8.57-9.01V,500
△	T401	AA26-50001B	HORIZ.DRIVE;-;7.1MH,102UH,10-2	...	DZ205	0403-000720	DIODE-ZENER;MTZJ9.1B,9.1V,8.57-9.01V,500
△	LR401S	AA27-00053A	COIL-LINEARLITY;-;193uH,DR10X10 C:4.35,7	...	DZ307	0403-000720	DIODE-ZENER;MTZJ9.1B,9.1V,8.57-9.01V,500
△	LR801S	AA29-30001D	FILTER-LINE;-;6.0MH,2A,-,SQ191	...	DZ501	0403-000720	DIODE-ZENER;MTZJ9.1B,9.1V,8.57-9.01V,500
△	RM901	AA32-00015A	MODULE-REMOCON;FRP-3521H31,38KHZ,940MM,M	...	DZ502	0403-000720	DIODE-ZENER;MTZJ9.1B,9.1V,8.57-9.01V,500
...	CN501	AA39-20620A	LEADCONNECTOR-ASSY;-;YBNH025-09,S,9P,30	...	DZ503	0403-000720	DIODE-ZENER;MTZJ9.1B,9.1V,8.57-9.01V,500
△	TU01S	AA40-00073A	TUNER-TECC1040PG32A(S),181CH,45.75MHZ,75	...	DZ504	0403-000720	DIODE-ZENER;MTZJ9.1B,9.1V,8.57-9.01V,500
...	IC301	AA96-00244A	ASSY H/S;-;AA62-00046A,LA7840,-	...	DZ806	0403-000720	DIODE-ZENER;MTZJ9.1B,9.1V,8.57-9.01V,500
...	...	0205-000129	GREASE-SILICON;SC102,JAPAN	...	DZ807	0403-000720	DIODE-ZENER;MTZJ9.1B,9.1V,8.57-9.01V,500
...	...	1204-001483	IC-VERTICAL PROCESSOR;LA7840,SIP,7P,708MI	...	DZ808	0403-000720	DIODE-ZENER;MTZJ9.1B,9.1V,8.57-9.01V,500
...	...	6003-000335	SCREW-TAPTITE;RH,+2S,M3,L8,ZPC(YEL),SWR	...	DZ801	0403-001140	DIODE-ZENER;RD10ESAB-T,10V,9.19-10.30V,
...	...	AA62-00046A	HEAT SINK-PS;-;T1.0,-,D1(DREAM) 60X25X	...	DZ204	0403-001211	DIODE-ZENER;MTZJ12B,11.44-12.03V,500MW,D
...	IC601	AA96-00244D	ASSY H/S;-;SOUND,AA62-00046A,TDA7266M,-	...	DZ302	0403-001221	DIODE-ZENER;UZ39BSB,35.36-37.19V,500MW,D
...	...	0205-000129	GREASE-SILICON;SC102,JAPAN	...	DZ802	0403-001318	DIODE-ZENER;MTZJ4.3B,4.17-4.43V,500mW,DO
...	...	1201-001600	C-AUDIO AMP;7266,ZSIP,15P,-,SINGLE,26dB	...	DZ901	0403-001373	DIODE-ZENER;MTZJ5.1A,4.81V-5.07V,500mW,D
...	...	6003-000335	SCREW-TAPTITE;RH,+2S,M3,L8,ZPC(YEL),SWR	...	DZ905	0403-001327	DIODE-ZENER;MTZJ18A,16.22-17.06V,500mW,D
...	...	AA62-00046A	HEAT SINK-PS;-;T1.0,-,D1(DREAM) 60X25X	...	DZ301	0403-001328	DIODE-ZENER;MTZJ22A,20.15-21.20V,500mW,D
△	IC802	AA96-00245A	ASSY H/S;-;AA62-00055A,KA7632,-	...	DZ305	0403-001328	DIODE-ZENER;MTZJ22A,20.15-21.20V,500mW,D
...	...	1203-001939	IC-POS.FIXED REG.;7632,SIP,10P,-,PLASTI	△	Q201	0501-000283	RANSISTOR;KSA539-Y(TAPG)/YTAM
...	...	6003-000334	SCREW-TAPTITE;RH,+2S,M3,L6,ZP	...	Q901	0501-000283	TRANSISTOR;KSA539-Y(TAPG)/YTAM
...	...	AA62-00055A	HEAT SINK-PS;-;T1.0,-,35*15*25,D1,-,,-	△	QR001S	0501-000283	TRANSISTOR;KSA539-Y(TAPG)/YTAM
...	LD901	AA96-00555A	ASSY LED GUIDE;-;UJEX-LD-030,GREEN	...	Q402	0501-000369	TRANSISTOR;KSC2331-Y(TAPG)
...	IC501	AA96-50311A	ASSY-H/S;-;VIDEO,AA62-30175D,TDA6107Q,-	...	Q202	0501-002183	05TR-SMALL SIG;KTC9014,NPN,625MW,TO-92,100
...	...	1201-001159	ICVIDEOAMP;TDA6107Q,ZIP,9P,300	...	Q601	0501-002183	TR-SMALL SIG;KT9014,NPN,625MW,TO-92,100
...	...	6003-000334	SCREW-TAPTITE;RH,+2S,M3,L6,ZP	...	Q802	0501-002183	TR-SMALL SIG;KTC9014,NPN,625MW,TO-92,100
...	...	AA62-30175D	HEATSINK-PS;-;SECC,T1.0,-,33X15X30FT-2	...	IC803	1203-001217	IC-POST.ADJUSTREG;431,TO-92,3P,4.58MIL,P
△	IC801S	AA96-50395F	ASSY H/S;-;POWER,AA62-30190A,5Q0740RT	...	R207	2001-000005	R-CARBON;390OHM,5%,1/8W,AA,TP
...	...	0205-000129	GREASE-SILICON;SC102,JAPAN	...	R905	2001-000005	R-CARBON;390OHM,5%,1/8W,AA,TP
...	...	1203-002466	IC-PWM CONTROLLER;KA500740RT,TO220F-5L,5	...	R906	2001-000005	R-CARBON;390OHM,5%,1/8W,AA,TP
...	...	6003-000334	SCREW-TAPTITE;RH,+2S,M3,L6,ZP	...	R206	2001-000010	R-CARBON;68Kohm,5%,1/8W,AA,TP,1.8x3.2mm
...	...	AA62-30190A	-;SECC-CA,T1.0,-,,-,Cr03 A	...	R301	2001-000016	R-CARBON(S);10HM,5%,1/2W,AA,TP
...	A/AUTO	AA97-07680A	ASSY AUTO-MAIN;K15D,SAMEX;13	...	R843	2001-000019	R-CARBON(S);10ohm,5%,1/2W,AA,TP,2.4x6.4mm
...	D201	0401-000005	DIODE;1N4148,100V,300mA,1V,8nS,TAPING	...	R409	2001-000022	R-CARBON(S);330OHM,5%,1/2W,AA,T
...	D601	0401-000005	DIODE;1N4148,100V,300mA,1V,8nS,TAPING	...	R823	2001-000037	R-CARBON(S);330OHM,5%,1/2W,AA,
△	D804	0401-000005	DIODE;1N4148,100V,300mA,1V,8nS,TAPING	...	R808	2001-000109	R-CARBON(S);470OHM,5%,1/2W,AA,
△	D808	0401-000005	DIODE;1N4148,100V,300mA,1V,8nS,TAPING	...	R902	2001-000241	R-CARBON;1.5KOHM,5%,1/8W,AA,TP
△	D811	0401-000005	DIODE;1N4148,100V,300mA,1V,8nS,TAPING	...	R904	2001-000241	R-CARBON;1.5KOHM,5%,1/8W,AA,TP
△	DR003S	0401-000005	DIODE;1N4148,100V,300mA,1V,8nS,TAPING	...	R287	2001-000273	R-CARBON;100KOHM,5%,1/8W,AA,TP
△	D803	0401-000006	DIODE-SWITCHING;BAV21,250MA,400MW,50NS,2	...	R211	2001-000281	R-CARBON;100OHM,5%,1/8W,AA,TP
...	D303	0402-000132	DIODE-RECTIFIER;1N4004,400V,1A,DO-41	...	R233	2001-000281	R-CARBON;100OHM,5%,1/8W,AA,TP
△	D809	0402-000132	DIODE-RECTIFIER;1N4004,400V,1A,DO-41	...	R501	2001-000281	R-CARBON;100OHM,5%,1/8W,AA,TP
△	D501	0402-000254	DIODE-RECTIFIER;RGP10J,600V,1A,DO-41	...	R502	2001-000281	R-CARBON;100OHM,5%,1/8W,AA,TP
△	DR001S	0402-000254	DIODE-RECTIFIER;RGP10J,600V,1A,DO-41	...	R506	2001-000281	R-CARBON;100OHM,5%,1/8W,AA,TP
△	D807	0402-000493	DIODE-RECTIFIER;1R5GU41,400V,1	...	R510	2001-000281	R-CARBON;100OHM,5%,1/8W,AA,TP
...	D302	0402-000534	DIODE-RECTIFIER;RG10V,400V,1.5	...	R511	2001-000281	R-CARBON;100OHM,5%,1/8W,AA,TP
△	D805	0402-000540	DIODE-RECTIFIER;RU20A,600V,1.5	...	R512	2001-000281	R-CARBON;100OHM,5%,1/8W,AA,TP
...	D301	0402-001105	DIODE-RECTIFIER;ERB43-04SV1,40	...	R909	2001-000281	R-CARBON;100OHM,5%,1/8W,AA,TP
...	D304	0402-001105	DIODE-RECTIFIER;ERB43-04SV1,40	...	R911	2001-000281	R-CARBON;100OHM,5%,1/8W,AA,TP
...	D401	0402-001105	DIODE-RECTIFIER;ERB43-04SV1,40	...	R912	2001-000281	R-CARBON;100OHM,5%,1/8W,AA,TP
...	D502	0402-001105	DIODE-RECTIFIER;ERB43-04SV1,40	...	R913	2001-000281	R-CARBON;100OHM,5%,1/8W,AA,TP
...	R914	2001-000281	R-CARBON;100OHM,5%,1/8W,AA,TP
...	R917	2001-000281	R-CARBON;100OHM,5%,1/8W,AA,TP
...	R933	2001-000281	R-CARBON;100OHM,5%,1/8W,AA,TP

Electrical Parts List

Loc. No.	Code No.	Description ; Specification	Remark	Loc. No.	Code No.	Description ; Specification	Remark
....4	R934	2001-000281	R-CARBON;100OHM,5%,1/8W,AA,TP,4	R804	2003-002102	R-METAL OXIDE;68Kohm,5%,2W,AF,TP,4x12mm
....4	R942	2001-000281	R-CARBON;100OHM,5%,1/8W,AA,TP,4	R603	2004-000195	R-METAL;100Kohm,1%,1/8W,AA,TP,1.8x3.2mm
....4	R943	2001-000281	R-CARBON;100OHM,5%,1/8W,AA,TP,4	R423	2004-004089	R-METAL;123KOHM,1%,1/2W,AA,TP,2.5X6.5
....4	R291A	2001-000290	R-CARBON;10KOHM,5%,1/8W,AA,TP,4	R817	2004-001377	R-METAL(S);120KOHM,1%,1/2W,AA,TP,2.4X6.4
....4	R601	2001-000290	R-CARBON;10KOHM,5%,1/8W,AA,TP,	△....4	RR003S	2004-002019	R-METAL(S);33Kohm,1%,1/2W,AA,TP,2.5x6.5mm
....4	R612	2001-000290	R-CARBON;10KOHM,5%,1/8W,AA,TP,4	R302	2004-001390	R-METAL(S);1KOHM,2%,1/2W,AA,TP
....4	R807	2001-000290	R-CARBON;10KOHM,5%,1/8W,AA,TP,4	R306	2004-001390	R-METAL(S);1KOHM,2%,1/2W,AA,TP
....4	R828	2001-000290	R-CARBON;10KOHM,5%,1/8W,AA,TP,4	R424	2004-001402	R-METAL(S);6.8KOHM,1%,1/2W,AA,
....4	R910	2001-000290	R-CARBON;10KOHM,5%,1/8W,AA,TP,4	R219	2004-001914	R-METAL;39KOHM,2%,1/8W,AA,TP,1
....4	R606	2001-000290	R-CARBON;10KOHM,5%,1/8W,AA,TP,4	R822	2004-001983	R-METAL;2.49KOHM,1%,1/2W,AA,TP,2.4X6.4
....4	R224	2001-000290	R-CARBON;10KOHM,5%,1/8W,AA,TP,	△....4	RR004S	2004-001379	R-METAL(S);12KOHM,1%,1/2W,AA,T
....4	R225	2001-000325	R-CARBON;120OHM,5%,1/8W,AA,TP4	R304	2008-000253	R-FUSIBLE(S);0.47OHM,5%,1W,AF,
....4	R205	2001-000397	R-CARBON;180KOHM,5%,1/8W,AA,TP4	R305	2008-000253	R-FUSIBLE(S);0.47OHM,5%,1W,AF,
△....4	RR005S	2001-000397	R-CARBON;180KOHM,5%,1/8W,AA,TP4	R801	2008-001107	R-FUSIBLE(S);300ohm,5%,2W,AG,TP,3.9x12mm
....4	R218	2001-000411	R-CARBON;18KOHM,5%,1/8W,AA,TP,4	R825	2008-000266	R-FUSIBLE(S);1OHM,5%,2W,AF,TP,
△....4	RR002S	2001-000411	R-CARBON;18KOHM,5%,1/8W,AA,TP,4	R303	2008-000266	R-FUSIBLE(S);1OHM,5%,2W,AF,TP,
....4	R602	2001-000429	R-CARBON;1Kohm,5%,1/8W,AA,TP,1.8x3.2mm4	R608	2008-000284	R-FUSIBLE(S);0.1OHM,10%,2W,AF,TP,3.9X10M
....4	R604	2001-000429	R-CARBON;1Kohm,5%,1/8W,AA,TP,1.8x3.2mm4	R609	2008-000284	R-FUSIBLE(S);0.1OHM,10%,2W,AF,TP,3.9X10M
....4	R926	2001-000429	R-CARBON;1Kohm,5%,1/8W,AA,TP,1.8x3.2mm4	R824	2008-000294	R-FUSIBLE;33OHM,5%,2W,AF,TP,3
....4	R944	2001-000429	R-CARBON;1Kohm,5%,1/8W,AA,TP,1.8x3.2mm4	R422	2008-001011	R-FUSIBLE(S);0.1OHM,10%,2W,AF
....4	R918	2001-000449	R-CARBON;2.2KOHM,5%,1/8W,AA,TP4	R420	2008-001047	R-FUSIBLE(S);68ohm,5%,2W,AF,TP,3.9x10mm
....4	R940	2001-000449	R-CARBON;2.2KOHM,5%,1/8W,AA,TP4	C806A	2201-000108	C-CERAMIC,DISC;1.5NF,10%,1KV,Y
....4	R941	2001-000449	R-CARBON;2.2KOHM,5%,1/8W,AA,TP4	C501	2201-000193	C-CERAMIC,DISC;10PF,0.25PF,50V
....4	R220	2001-000472	R-CARBON;2.7KOHM,5%,1/8W,AA,TP4	C302	2201-000259	C-CERAMIC,DISC;180PF,10%,500V,Y5P,6X4MM,
....4	R901	2001-000472	R-CARBON;2.7KOHM,5%,1/8W,AA,TP4	C816	2201-000375	C-CERAMIC,DISC;220PF,5%,50V,RH
....4	R903	2001-000472	R-CARBON;2.7KOHM,5%,1/8W,AA,TP	△....4	CR409S	2201-000406	C-CERAMIC,HIC;CK45(T)B2KV271-K
....4	R907	2001-000472	R-CARBON;2.7KOHM,5%,1/8W,AA,TP4	C908	2201-000573	C-CERAMIC,DISC;47PF,5%,50V,NPO
....4	R908	2001-000472	R-CARBON;2.7KOHM,5%,1/8W,AA,TP4	C909	2201-000573	C-CERAMIC,DISC;47PF,5%,50V,NPO
....4	R607	2001-000472	R-CARBON;2.7KOHM,5%,1/9W,AA,TP4	C408	2201-000599	C-CERAMIC,DISC;560PF,10%,500V,
....4	R214	2001-000490	R-CARBON;200OHM,5%,1/8W,AA,TP,	△....4	CR404S	2201-000639	C-CERAMIC,DISC;680PF,10%,2KV,Y5P,-5MM,T
....4	R829	2001-000563	R-CARBON;27KOHM,5%,1/8W,AA,TP,1.8X3.2MM4	C503	2201-000723	C-CERAMIC,DISC;4.7nf,20%,3KV,Y5U,TP,16x5
△....4	R208	2001-000591	R-CARBON;3.3KOHM,5%,1/8W,AA,TP4	C811	2201-000991	C-CERAMIC,HIC;CK45(T)B2KV561-K
△....4	RR001S	2001-000660	R-CARBON;33KOHM,5%,1/8W,AA,TP4	C105	2202-000127	C-CERAMIC,MLC-AXIAL;10NF,+80-2
....4	R202	2001-000689	R-CARBON;390KOHM,5%,1/8W,AA,TP4	C111	2202-000127	C-CERAMIC,MLC-AXIAL;10NF,+80-2
....4	R830	2001-000734	R-CARBON;4.7KOHM,5%,1/8W,AA,TP4	C912	2202-000127	C-CERAMIC,MLC-AXIAL;10NF,+80-2
....4	R925	2001-000734	R-CARBON;4.7KOHM,5%,1/8W,AA,TP4	C223	2202-000796	C-CERAMIC,MLC-AXIAL;1NF,10%,50
....4	R708	2001-000734	R-CARBON;4.7KOHM,5%,1/8W,AA,TP4	C224	2202-000796	C-CERAMIC,MLC-AXIAL;1NF,10%,50
....4	R227	2001-000739	R-CARBON;4.7MOHM,5%,1/8W,AA,TP4	C602	2202-000796	C-CERAMIC,MLC-AXIAL;1NF,10%,50
....4	R228	2001-000739	R-CARBON;4.7MOHM,5%,1/8W,AA,TP4	C906	2202-000796	C-CERAMIC,MLC-AXIAL;1NF,10%,50
....4	R109	2001-000786	R-CARBON;47KOHM,5%,1/8W,AA,TP,4	C505	2202-000106	C-CERAMIC,MLC-AXIAL;1.5nf,20%,16V,Y5P,TP
....4	R927	2001-000793	R-CARBON;47OHM,5%,1/8W,AA,TP,14	C226	2202-000829	C-CERAMIC,MLC-AXIAL;820pF,10%,50V,Y5P,TP
....4	R203	2001-000857	R-CARBON;560OHM,5%,1/8W,AA,TP,4	C211	2202-002037	C-CERAMIC,MLC-AXIAL;100NF,+80-20
....4	R110	2001-000924	R-CARBON;680ohm,5%,1/8W,AA,TP,1.8x3.2mm4	C502	2301-000213	C-FILM,PEF;22NF,5%,250V,21.5X
....4	R915	2001-000924	R-CARBON;680ohm,5%,1/8W,AA,TP,1.8x3.2mm4	C109	2301-000224	C-FILM,PEF;22NF,5%,50V,7.4X3.9
....4	R108	2001-000947	R-CARBON;7.5KOHM,5%,1/8W,AA,TP4	C804	2301-000224	C-FILM,PEF;22NF,5%,50V,7.4X3.9
....4	R222	2001-000947	R-CARBON;7.5KOHM,5%,1/8W,AA,TP4	C810	2301-000224	C-FILM,PEF;22NF,5%,50V,7.4X3.9
....4	R605	2001-000947	R-CARBON;7.5KOHM,5%,1/8W,AA,TP4	C309	2301-000254	C-FILM,PEF;39NF,5%,50V,7.5X3.5X6.5MM,5MM
....4	R212	2001-000969	R-CARBON;75OHM,5%,1/8W,AA,TP,14	C227	2301-000301	C-FILM,PEF;6.8NF,5%,50V,6.5X5.
....4	R215	2001-000969	R-CARBON;75OHM,5%,1/8W,AA,TP,14	C604	2301-000301	C-FILM,PEF;6.8NF,5%,50V,6.5X5.
....4	R610	2001-000969	R-CARBON;75OHM,5%,1/8W,AA,TP,14	C217	2301-000342	C-FILM,PEF;2.2nf,5%,50V,TP,7.4x3.9x13mm,
....4	R408	2001-001037	R-CARBON(S);0.39OHM,5%,1/2W,AA4	C234	2301-000342	C-FILM,PEF;2.2nf,5%,50V,TP,7.4x3.9x13mm,
....4	R504	2001-001062	R-CARBON(S);10MOHM,5%,1/2W,AA,4	C805	2301-000342	C-FILM,PEF;2.2nf,5%,50V,TP,7.4x3.9x13mm,
....4	R414	2001-001078	R-CARBON(S);15KOHM,5%,1/2W,AA,4	C407	2301-000383	C-FILM,PEF;10nf,5%,50V,TP,6x7x3.2mm,5mm
....4	R832	2001-001088	R-CARBON(S);1KOHM,5%,1/2W,AA,TP,2.4X6.44	C248	2301-000445	C-FILM,PEF;4.7nf,5%,50V,TP,5.5x7x3mm,5mm
....4	R819	2001-001088	R-CARBON(S);1KOHM,5%,1/2W,AA,TP,2.4X6.44	C232	2301-000445	C-FILM,PEF;4.7nf,5%,50V,TP,5.5x7x3mm,5mm
....4	R820	2001-001088	R-CARBON(S);1KOHM,5%,1/2W,AA,TP,2.4X6.44	C420	2301-001065	C-FILM,MPPF;47NF,55,630V,TP,19
....4	R840	2001-001108	R-CARBON(S);22KOHM,5%,1/2W,AA,4	C312	2305-000149	C-FILM;CF922N100VT104-J-40/105
....4	R411	2001-001114	R-CARBON(S);270OHM,5%,1/2W,AA,4	C301	2305-000285	C-FILM,MPEF;220NF,5%,100V,-5M
....4	R821	2001-001131	R-CARBON(S);33KOHM,5%,1/2W,AA,4	C215	2305-000289	C-FILM,MPEF;220NF,5%,63V,-5MM
....4	R809	2001-001150	R-CARBON(S);470KOHM,5%,1/2W,AA4	C216	2305-000289	C-FILM,MPEF;220NF,5%,63V,-5MM
....4	R810	2001-001150	R-CARBON(S);470KOHM,5%,1/2W,AA4	C233	2305-000289	C-FILM,MPEF;220NF,5%,63V,-5MM
....4	R818	2001-001154	R-CARBON(S);5.1KOHM,5%,1/2W,AB	△....4	CR405S	2305-000382	C-FILM,MPEF;4.7NF,5%,400V,TP,-5MM.
....4	R805	2001-001170	R-CARBON(S);6.8OHM,5%,1/2W,AB,4		2305-000411	C-FILM,MPEF;470NF,5%,50V,7.3X4
....4	R405	2001-001195	R-CARBON(S);820OHM,5%,1/2W,AA,T4	C103	2305-000665	C-FILM;104J, 60V,5MM TAPING
....4	R831	2001-001192	R-CARBON(S);820OHM,5%,1/2W,AB,4	C207	2305-000665	C-FILM;104J, 60V,5MM TAPING
....4	R503	2002-001008	R-COMPOSITION;1.8KOHM,10%1/2W,AA,TP,3.74	C208	2305-000665	C-FILM;104J, 60V,5MM TAPING
....4	R501M	2002-001008	R-COMPOSITION;1.8KOHM,10%1/2W,AA,TP,3.74	C210	2305-000665	C-FILM;104J, 60V,5MM TAPING
....4	R502M	2002-001008	R-COMPOSITION;1.8KOHM,10%1/2W,AA,TP,3.74	C218	2305-000665	C-FILM;104J, 60V,5MM TAPING
△....4	RP801S	2002-001010	R-COMPOSITION;1.8MOHM,5%,1/2W,AA,TP,3.7X4	C222	2305-000665	C-FILM;104J, 60V,5MM TAPING
△....4	RY801S	2002-001013	R-COMPOSITION;4.7MOhm,5%,1/2W,AA,TP,3.7X4	C230	2305-000665	C-FILM;104J, 60V,5MM TAPING
....4	R402	2003-002178	R-METAL OXIDE(S) 1Kohm,5%,2W,AG,TP,3.9X14	C803	2305-000665	C-FILM;104J, 60V,5MM TAPING
....4	R316	2003-002009	R-METALOXIDE(S);390OHM,5%,2W,A4	C819	2305-000665	C-FILM;104J, 60V,5MM TAPING
....4	R413	2003-000664	R-METAL OXIDE(S);330HM,5%,2W,AF,TP,4X12M4	C913	2305-000665	C-FILM;104J, 60V,5MM TAPING
....4	R403	2003-002173	R-METAL OXIDE(S);7.5Kohm,5%,2W,AG,TP,3.94	C920	2305-000665	C-FILM;104J, 60V,5MM TAPING
....4	R827	2003-001023	R-METALOXIDE(S);120OHM,5%,2W,A4	C225	2309-000138	C-FILM,PE-PFF;100NF,5%,50V,TP,
....4	R407	2003-001040	R-METALOXIDE(S);47Kohm,5%,2W,AF,TP,3.9x14	C812	2401-000262	C-AL;100UF,20%,160V,GP,16X25MM,5MM,
....4	R803	2003-002102	R-METAL OXIDE;68Kohm,5%,2W,AF,TP,4x12mm4	C817	2401-000302	C-AL;100UF,20%,25V,GP,6X11MM,5

Loc. No.	Code No.	Description ; Specification	Remark	Loc. No.	Code No.	Description ; Specification	Remark	
....4	C821	2401-000302	C-AL;100UF,20%,25V,GP,6X11MM,54	J111	3812-000219	WIRE-SO,COPPER;TAO.6SN/52M/M(A	
....4	C823	2401-000302	C-AL;100UF,20%,25V,GP,6X11MM,54	J112	3812-000219	WIRE-SO,COPPER;TAO.6SN/52M/M(A	
....4	C307	2401-000360	C-AL;100UF,20%,50V,GP,8X11MM,54	J113	3812-000219	WIRE-SO,COPPER;TAO.6SN/52M/M(A	
....4	C308	2401-000360	C-AL;100UF,20%,50V,GP,8X11MM,54	J114	3812-000219	WIRE-SO,COPPER;TAO.6SN/52M/M(A	
....4	C506	2401-000430	C-ELECTROLYTIC;CE04WTAPG250V104	J115	3812-000219	WIRE-SO,COPPER;TAO.6SN/52M/M(A	
△4	CR01S	2401-000480	C-AL;10UF,20%,50V,GP,5X11MM,5M4	J117	3812-000219	WIRE-SO,COPPER;TAO.6SN/52M/M(A
△4	CR02S	2401-000480	C-AL;10UF,20%,50V,GP,5X11MM,5M4	J120	3812-000219	WIRE-SO,COPPER;TAO.6SN/52M/M(A
....4	CE01	2401-000480	C-AL;10UF,20%,50V,GP,5X11MM,5M4	J121	3812-000219	WIRE-SO,COPPER;TAO.6SN/52M/M(A	
....4	C403	2401-000560	-AL;1UF,20%,160V,GP,GT,6.3,11MM4	J122	3812-000219	WIRE-SO,COPPER;TAO.6SN/52M/M(A	
....4	C219	2401-000603	C-AL;1UF,20%,50V,GP,5X11MM,5MM4	J123	3812-000219	WIRE-SO,COPPER;TAO.6SN/52M/M(A	
....4	C601	2401-000603	C-AL;1UF,20%,50V,GP,5X11MM,5MM4	J124	3812-000219	WIRE-SO,COPPER;TAO.6SN/52M/M(A	
....4	C603	2401-000603	C-AL;1UF,20%,50V,GP,5X11MM,5MM4	J128	3812-000219	WIRE-SO,COPPER;TAO.6SN/52M/M(A	
....4	C221	2401-000660	C-ELECTROLYTIC;CE04WTAPG50V2.24	J129	3812-000219	WIRE-SO,COPPER;TAO.6SN/52M/M(A	
....4	C212	2401-000660	C-ELECTROLYTIC;CE04WTAPG50V2.24	J130	3812-000219	WIRE-SO,COPPER;TAO.6SN/52M/M(A	
....4	C827	2401-000927	C-AL;22UF,20%,250V,GP,13X20MM,4	J131	3812-000219	WIRE-SO,COPPER;TAO.6SN/52M/M(A	
....4	C110	2401-000962	C-AL;22uf,20%,50V,GP,TP,5x11.54	J132	3812-000219	WIRE-SO,COPPER;TAO.6SN/52M/M(A	
....4	C802	2401-001192	C-AL;33UF,20%,50V,GP,6X11MM,5MM,TP4	J135	3812-000219	WIRE-SO,COPPER;TAO.6SN/52M/M(A	
....4	C504	2401-001232	C-AL;4.7UF,20%,250V,GP,10X12.54	J137	3812-000219	WIRE-SO,COPPER;TAO.6SN/52M/M(A	
....4	C304	2401-001397	C-AL;470UF,20%,25V,GP,10X16MM,4	J138	3812-000219	WIRE-SO,COPPER;TAO.6SN/52M/M(A	
....4	C306	2401-002288	C-ELEC;CE04-55/10525VT471-MWVRG4	J139	3812-000219	WIRE-SO,COPPER;TAO.6SN/52M/M(A	
....4	C209	2401-001840	C-AL;100UF,20%,16V,GP,TP,6.3X14	J140	3812-000219	WIRE-SO,COPPER;TAO.6SN/52M/M(A	
....4	C213	2401-001840	C-AL;100UF,20%,16V,GP,TP,6.3X14	J142	3812-000219	WIRE-SO,COPPER;TAO.6SN/52M/M(A	
....4	C229	2401-001840	C-AL;100UF,20%,16V,GP,TP,6.3X14	J150	3812-000219	WIRE-SO,COPPER;TAO.6SN/52M/M(A	
....4	C903	2401-001840	C-AL;100UF,20%,16V,GP,TP,6.3X14	J401	3812-000219	WIRE-SO,COPPER;TAO.6SN/52M/M(A	
....4	C910	2401-001840	C-AL;100UF,20%,16V,GP,TP,6.3X14	J604	3812-000219	WIRE-SO,COPPER;TAO.6SN/52M/M(A	
....4	C605	2401-001998	C-AL;1000UF,20%,25V,GP,TP,10X204	J605	3812-000219	WIRE-SO,COPPER;TAO.6SN/52M/M(A	
....4	C901	2401-002144	C-AL;47uf,20%,16V,GP,TP,5x11.54	J606	3812-000219	WIRE-SO,COPPER;TAO.6SN/52M/M(A	
....4	C203	2401-002235	C-ELECTROLYTIC;CE04W(T)16V10M4	J801	3812-000219	WIRE-SO,COPPER;TAO.6SN/52M/M(A	
....4	C206	2401-002235	C-ELECTROLYTIC;CE04W(T)16V10M4	J802	3812-000219	WIRE-SO,COPPER;TAO.6SN/52M/M(A	
....4	C220	2401-002235	C-ELECTROLYTIC;CE04W(T)16V10M4	J803	3812-000219	WIRE-SO,COPPER;TAO.6SN/52M/M(A	
....4	C231	2401-002235	C-ELECTROLYTIC;CE04W(T)16V10M4	J804	3812-000219	WIRE-SO,COPPER;TAO.6SN/52M/M(A	
....4	C820	2401-002235	C-ELECTROLYTIC;CE04W(T)16V10M4	J806	3812-000219	WIRE-SO,COPPER;TAO.6SN/52M/M(A	
....4	C813	2401-002290	C-AL;47uf,20%,160V,GP,TP,13x20.54	J807	3812-000219	WIRE-SO,COPPER;TAO.6SN/52M/M(A	
....4	C101	2401-002594	C-AL;220uf,20%,16V,GP,TP,8x11.5.54	J808	3812-000219	WIRE-SO,COPPER;TAO.6SN/52M/M(A	
....4	C406	2401-002619	C-AL;47uf,20%,25V,GP,TP,5x11.54	JAW02	3812-000219	WIRE-SO,COPPER;TAO.6SN/52M/M(A	
....4	C818	2401-003028	C-AL;100UF,20%,25V,GP,TP,6.3X14	L403	3812-000219	WIRE-SO,COPPER;TAO.6SN/52M/M(A	
....4	L103	2701-000114	INDUCTOR-AXIAL;10UH,10%,2.5X3.4	R229	3812-000219	WIRE-SO,COPPER;TAO.6SN/52M/M(A	
....4	L202	2701-000114	INDUCTOR-AXIAL;10UH,10%,2.5X3.4	R309	3812-000219	WIRE-SO,COPPER;TAO.6SN/52M/M(A	
....4	L903	2701-000114	INDUCTOR-AXIAL;10UH,10%,2.5X3.4	R507	3812-000219	WIRE-SO,COPPER;TAO.6SN/52M/M(A	
....4	R101	2701-000114	INDUCTOR-AXIAL;10UH,10%,2.5X3.4	R508	3812-000219	WIRE-SO,COPPER;TAO.6SN/52M/M(A	
....4	R102	2701-000114	INDUCTOR-AXIAL;10UH,10%,2.5X3.4	R509	3812-000219	WIRE-SO,COPPER;TAO.6SN/52M/M(A	
....4	L203	2701-000127	INDUCTOR-AXIAL;15UH,10%,2.5X3.4	R850	3812-000219	WIRE-SO,COPPER;TAO.6SN/52M/M(A	
....4	L301	2701-000142	INDUCTOR-AXIAL;1UH,10%,2.5X3.44	J822	3812-000219	WIRE-SO,COPPER;TAO.6SN/52M/M(A	
....4	L302	2701-000142	INDUCTOR-AXIAL;1UH,10%,2.5X3.44	J125	3812-000219	WIRE-SO,COPPER;TAO.6SN/52M/M(A	
....4	L404	2701-000142	INDUCTOR-AXIAL;1UH,10%,2.5X3.44	L805	3812-000219	WIRE-SO,COPPER;TAO.6SN/52M/M(A	
....4	L102	2701-000159	INDUCTORAXIAL;22uH,10%,4.2x9.8mm4	J601	3812-000219	WIRE-SO,COPPER;TAO.6SN/52M/M(A	
....4	L201	2701-000159	INDUCTORAXIAL;22uH,10%,4.2x9.8mm4	J811	3812-000219	WIRE-SO,COPPER;TAO.6SN/52M/M(A	
....4	L230	2701-000159	INDUCTORAXIAL;22uH,10%,4.2x9.8mm4	L206	3812-000219	WIRE-SO,COPPER;TAO.6SN/52M/M(A	
....4	L405	2701-000159	INDUCTORAXIAL;22uH,10%,4.2x9.8mm4	00VER	AA41-00625A	PCB-MAIN;CT2188,FR-1,1L,A,1.6T,245X245,K	
....4	L902	2701-000177	INDUCTOR-AXIAL;33UH,10%,2.5X3.4MM4	EY401	AA60-40011A	EYELET;-ID2.0,OD2.8,-,BST	
....4	L904	2701-000177	INDUCTOR-AXIAL;33UH,10%,2.5X3.4MM4	EY402	AA60-40011A	EYELET;-ID2.0,OD2.8,-,BST	
....4	L804	2701-001030	INDUCTOR-AXIAL;43uH,10%,14x4.5mm4	EY403	AA60-40011A	EYELET;-ID2.0,OD2.8,-,BST	
....4	L807	2701-001030	INDUCTOR-AXIAL;43uH,10%,14x4.5mm4	EY404	AA60-40011A	EYELET;-ID2.0,OD2.8,-,BST	
....4	X901	2801-003433	CRYSTAL-UNIT;12MHZ,30PPM,28-AAM,30PF,3004	EY405	AA60-40011A	EYELET;-ID2.0,OD2.8,-,BST	
....4	L808	2901-000297	FILTER-EMI ON BOARD;-3A,-,-,3.5x5,TP,-4	EY414	AA60-40011A	EYELET;-ID2.0,OD2.8,-,BST	
....4	L806	3301-000287	CORE-FERRITEBEAD;AA,3.5X1.0X6.4	EY415	AA60-40011A	EYELET;-ID2.0,OD2.8,-,BST	
....4	L802	3301-000287	CORE-FERRITEBEAD;AA,3.5X1.0X6.4	EY416	AA60-40011A	EYELET;-ID2.0,OD2.8,-,BST	
....4	L803	3301-000287	CORE-FERRITEBEAD;AA,3.5X1.0X6.4	EY417	AA60-40011A	EYELET;-ID2.0,OD2.8,-,BST	
....4	J127	3301-000287	CORE-FERRITEBEAD;AA,3.5X1.0X6.4	EY418	AA60-40011A	EYELET;-ID2.0,OD2.8,-,BST	
....4	SW901	3404-000244	SWITCH-TACT;15V,20MA,90-170GF,4	EY419	AA60-40011A	EYELET;-ID2.0,OD2.8,-,BST	
....4	SW902	3404-000244	SWITCH-TACT;15V,20MA,90-170GF,4	EY420	AA60-40011A	EYELET;-ID2.0,OD2.8,-,BST	
....4	SW903	3404-000244	SWITCH-TACT;15V,20MA,90-170GF,4	EY421	AA60-40011A	EYELET;-ID2.0,OD2.8,-,BST	
....4	SW904	3404-000244	SWITCH-TACT;15V,20MA,90-170GF,4	EY501	AA60-40011A	EYELET;-ID2.0,OD2.8,-,BST	
....4	SW905	3404-000244	SWITCH-TACT;15V,20MA,90-170GF,4	EY819	AA60-40011A	EYELET;-ID2.0,OD2.8,-,BST	
△4	FD801S	FUSE-AXIAL LEAD;125V,5A,FAST-ACTING,GLAS4	EY827	AA60-40011A	EYELET;-ID2.0,OD2.8,-,BST	
....4	F801A	3602-000114	FUSE-HOLDER;-,-,30MOHM4	EY829	AA60-40011A	EYELET;-ID2.0,OD2.8,-,BST	
....4	F801B	3602-000114	FUSE-HOLDER;-,-,30MOHM4	EY833	AA60-40011A	EYELET;-ID2.0,OD2.8,-,BST	
....4	DZ804	3812-000219	WIRE-SO,COPPER;TAO.6SN/52M/M(A4	EY701	AA60-40011A	EYELET;-ID2.0,OD2.8,-,BST	
....4	J101	3812-000219	WIRE-SO,COPPER;TAO.6SN/52M/M(A4	EY702	AA60-40011A	EYELET;-ID2.0,OD2.8,-,BST	
....4	J102	3812-000219	WIRE-SO,COPPER;TAO.6SN/52M/M(A4	EL401	AA60-40011B	EYELET;-ID2.0,OD2.8,-,BST	
....4	J103	3812-000219	WIRE-SO,COPPER;TAO.6SN/52M/M(A4	EL402	AA60-40011B	EYELET;-ID2.0,OD2.8,-,BST	
....4	J104	3812-000219	WIRE-SO,COPPER;TAO.6SN/52M/M(A4	EL801	AA60-40011B	EYELET;-ID2.0,OD2.8,-,BST	
....4	J105	3812-000219	WIRE-SO,COPPER;TAO.6SN/52M/M(A4	EL802	AA60-40011B	EYELET;-ID2.0,OD2.8,-,BST	
....4	J106	3812-000219	WIRE-SO,COPPER;TAO.6SN/52M/M(A4	GT301	AA60-40014A	PIN-GT,ASSY;1P,-,-,AUTO	
....4	J107	3812-000219	WIRE-SO,COPPER;TAO.6SN/52M/M(A4	GT302	AA60-40014A	PIN-GT,ASSY;1P,-,-,AUTO	
....4	J108	3812-000219	WIRE-SO,COPPER;TAO.6SN/52M/M(A4	GT401	AA60-40014A	PIN-GT,ASSY;1P,-,-,AUTO	
....4	J110	3812-000219	WIRE-SO,COPPER;TAO.6SN/52M/M(A4	GT402	AA60-40014A	PIN-GT,ASSY;1P,-,-,AUTO	

Loc. No.	Code No.	Description ; Specification	Remark
....4	GT501	AA60-40014A PIN-GT,ASSY;1P,-,-,AUTO	
....4	GT801	AA60-40014A PIN-GT,ASSY;1P,-,-,AUTO	
....4	GT802	AA60-40014A PIN-GT,ASSY;1P,-,-,AUTO	
....4	GT803	AA60-40014A PIN-GT,ASSY;1P,-,-,AUTO	
....4	GT804	AA60-40014A PIN-GT,ASSY;1P,-,-,AUTO	
....4	GT805	AA60-40014A PIN-GT,ASSY;1P,-,-,AUTO	
....4	Z201	2903-000129 FILTER-CERAMIC;BR,4.5MHz,-,-,TP,-	
....4	RE01	2001-000117 R-CARBON(S);68ohm,5%,1/2W,AA,TP,2.4x6.4mm	
....4	RE02	2001-000117 R-CARBON(S);68ohm,5%,1/2W,AA,TP,2.4x6.4mm	
....4	C915	2401-002009 C-AL;100UF,20%,16V,GP,TP6.3X7	
....4	R505	2008-000264 R-FUSIBLE(S);10HM,5%,1W,AF,TP	
....4	C815	2401-000703 C-ELEC;CE04-40/8525VT222-MWSD	
....4	R421	2008-001018 R-FUSIBLE(S);0.470HM,10%,2W,AF	
△...3	PWR/AC	AA96-20129C ASSY-POWER,CORD,-,EP2/YES,H/C200,ME301P,	
....4		AA39-10007Y POWER-CORD,-,EP2/YES,SPT-2 18AWGx2C,2.4mm	
....4		AA61-20284A HOLDER P CORD;PP,VO,BLK,KE-002	
...3		0204-000442 SOLVENT;CH3-CH5H-CH396%IM-1000	
...3		0202-000008 SOLDER-WIRE;S63S-D3.0,S63A,D3.63/37	
...3		0204-001024 FLUX;DF-96TVS,-,20%,-	
...3		0202-000187 SOLDER-WIREFLUX;-RS60S,D1.2,6	
...3	C801	2401-000822 C-ELECTROLYTIC;CE04W200V220U-H	
△...3	NT801S	1404-001045 THERMISTOR NTC;4.70HM,15%,2900K,35.0MW,T	
△...3	CY801S	2201-002002 C-CERAMIC,DISC;4700PF,20%,400V	
...3	JA703	3722-000184 JACK-RCA;2P,3.4MM,-,AG	
...3	JE60	3722-000143 JACK-PHONE;1P,3.4MM,-,MBAG	
...3	CN702A	AA39-20070D LEAD-CONNECTOR,ASSY;-YBNH025-07,67096-0	
...3	CN603	3711-002642 POST-HEADER;67094-003(AUTO)	
...3	P803S	1404-001247 HERMISTOR-PTC;1.50HM;+30/-20,110V,140VA	
△...3	CR402S	2306-000195 C-FILM,MPPF;360NF,5%,400V,26.0	

ASSY-COVER

1	*	AA90-03301A ASSY-COVER;FRONT;K15D,13,USA	
..2	PA+CF	6006-001095 SCREW-ASSY TAPT;WPBH,+M4,L12,ZPC(YEL)	
..2	CRT+CF	6006-001095 SCREW-ASSY TAPT;WPBH,+M4,L12,ZPC(YEL)	
..2		AA60-10050Q SCREW-ASSY;WC,HH,M5,L26.5,SWRCH,	
..2	STTOPER	AA61-40113A STOPPER-PCB;-ABS,HB,NTR.	
..2	BWCOIL	AA63-10002B BAND-TIE;-NYLON66V2,-,L140,NTR,-,-	
..2	SPKF	AA63-60001Z SPACER-FELT;-FELT,T1.0,-,35X8	
..2	F/C	AA64-00162A CABINET-FRONT;14F2,BK708P,HIPS,VO,BLK	
...3	IL+CF	6002-000512 SCREW-TAPPING;RH,+2,M4,L12,ZP	
...3	WR+CF	6002-000512 SCREW-TAPPING;RH,+2,M4,L12,ZP	
...3		AA61-40010B BOSS-CABINET;-HIPS,VO,BLK	
...3	SPRING	AA61-60003J SPRING-CS;-,-,SUS304,0.5,OD6,H	
...3	KC	AA64-00164B KNOB-CONTROL;14F2,ABS,HB,BLK	
...3	KP	AA64-00165B KNOB-POWER;14F2,NO-SILK,ABS,HB,BLK	
...3	WINDOW	AA64-00166B WINDOW-REMOCON;14F2,PC,VIOLET	
...3	INLED	AA64-00167B INDICATOR-LED;14F2,ACRYL,CLR,	
..2	BADGE	AA64-70127F BADGE-BRAND;AL,SS,SILVER,R800	
..2	CWIRFC	AA65-30105A CLAMP-WIRE;NYLON 66N,VO,NTR,15MM	
..2	L/IND	AA68-00524A LABEL-INDICATOR;A/P 90(G),CXJ1352X/XAA,U	
..2	L/QMS	AA68-02391A LABEL-QMS;ART-PAPER(90)G,110x24mm	
..2	L/WARN	AA68-01618A LABEL-WARNING;WHTPAPER100	
..2	A/SPK	AA96-10014A ASSY-SPEAKER;80HM,2.5W,3(2),F/200	
...3	SPK	3001-000281 SPEAKER-GENERAL;2.5W80HM77MM77	
...3	L/SPK	AA39-20500A LEAD CONNECTOR-ASSY;-67096-003,REC,3(2)	

ASSY COVER/REAR

1	*	AA90-03302A ASSY COVER/REAR;TXM1367X/XAA;K15D	
..2	CB+CF	6003-001026 SCREW-TAPTITE;RH,+B,M4,L15,ZPC(BLK),SWR	
..2	B/C	AA64-00259A CABINET-BACK;-14F2,-,HIPS,VO,BLK.	
..2	AC+BC	AA65-30008A CLAMP-CORD;-PE,HB,BLK,-,-	

Loc. No.	Code No.	Description ; Specification	Remark
----------	----------	-----------------------------	--------

ASSY-CPT

1	*	AA91-04394A ASSY-CPT;+380MG,TXM1367X;K15D	
..2	TAPE	0203-001303 TAPE-ACETATE;#1554,T0.25,W19,L30000,WHT	
..2	TAPE-DY	0203-001279 TAPE-OPP MASKING;#232,T0.14,W15,L50000,Y	
△..2	CRT	AA03-10002M CRT-COLOR;-A34KQV42X,OMG,14,	
..2	C-Y	AA27-00001A MAGNET-CONVERGENCE;JH225-06A,225MM	
..2	D-Y	AA27-00177A DEFLECTION YOKE;CT-331E,(SEMSA)DSE-1422F	
..2	D-COIL	AA27-00210A COIL DEGAUSSING;0.58MH,10%,25T,1.50HM,1	
..2	CDCOIL	AA61-00735 HOLDER;20POLYVINIL,DEGAUSSING,CHLORI	
..2	SPACER	AA63-60028A SPACER-DY;-NEOPRENE,-,BLK,V0V	
..2	A/TBC	AA98-70014A ASSY-TBC-WIRE;14,NTSC,1P,TVI	

ASSY LABEL

1	*	AA92-05614A ASSY LABEL;TXM1367X/XAA;K15D	
..2	L/SET	AA68-00525A LABEL-SET;A/P 90(G),CXJ1352X/XAA,USA,-,-	
..2	L/RAT	AA68-02371A LABEL-RATING;ART-PAPER,90(S),SEA	
..2	L/CRT	AA68-01557A LABEL ENERGY;STAR,STATIC FREE FILM	

ASSY LABEL

1	*	AA92-05615A ASSY LABEL;TXM1367X/XAA;K15D	
..2	BXTAPE	0203-001295 TAPE-OPP MASKING;1242,T0.06,W100,L91.4M,	
..2	STAPLE	AA60-40006A PIN-STAPLE;-,-,H18,33X17.8X2	
..2	C/TOP	AA69-00125A CUSHION-TOP;EPS,FOAMED,C=0.02,14F2	
..2	C/BOTT	AA69-00125B CUSHION-BOTTOM;EPS,FOAMED,C=0.02,14F2	
..2	PE-BAG	AA69-01193A BAG PE;CT14S1BZ,13ONLY,W33',H40',20-	

ASSY BOX

1	*	AA92-05613A ASSY BOX;TXM1367X;K15D	
..2	BOX	AA68-01542A LABEL;(UNIBOX),PAPER WHT ALLMD	
..2	PCK	AA69-00128B PACKING-CASE;14F2A,AMERICA SAMEX TVI,CB	

ASSY-ACCESSORY

1	*	AA92-05612A ASSY-ACCESSORY;K15D,13,USA	
..2	AC-TAPE	0203-001279 TAPE-OPP MASKING;#232,T0.14,W15,L50000,Y	
..2	RMT	AA59-10101M REMOCON; DP,TM59,-,-,AA59-10095T	
..2	C/WARR	AA68-01433A CARD WARRANTY;TV/TVCR,ALL,W/P100(G),B5,	
..2	I/B	AA68-02340A MANUAL USERS;ENG,USA,W/P100(G),B5,K15D,	
..2	B/WARR	AA68-01561A CARD WARRANTY;BLOCK,STATEMENT ONLY,SEA/S	
..2	C/REG	AA68-01969A CARD;REGISTRATION PRODUCT,W/P120(G),SEA	
..2	BAG-PE	AA69-01195A BAG PE;CL29A6W8X,HDPETO.012,93/4X151	

7-5 TXM1367X/XAC

Loc. No.	Code No.	Description ; Specification	Remark
ASSY-CHASSIS			
1	ASSY,CHA	AA91-04395A	ASSY-CHASSIS;K15D,13,USA
.2	AC+BC	AA65-30008A	CLAMP-CORD,-,PE,HB,BLK,-,-
.2	CLW/HS	AA65-30018A	CLAMP-WIRE,-,NYLON6.6,-,-,DATL
.2	CWIRE2	AA65-30018A	CLAMP-WIRE,-,NYLON6.6,-,-,DATL
.2	FBT	AA65-30018A	CLAMP-WIRE,-,NYLON6.6,-,-,DATL
.2	A/MAIN	AA94-08643A	ASSY PCB MAIN;TXM1366,K15D,SAMEX
...3	Q401	0502-001115	TR-POWER;KSC5386,NPN,50W,TO-3PF,ST,8
△ ...3	PC801S	0604-001038	PHOTOCOUPLER;TR,130-260%,200MW
...3	IC902	1103-001209	IC-EEPROM;AT24C04-PC27 C,512Kx8Bit,DIP,8
△ ...3	CX801S	2306-000318	C-FILM,MPPF;220NF,20%,250V,-,2
△ ...3	CR401S	2303-001015	C-FILM,PPFF;5.5NF,5%,1.6KV,TP
△ ...3	SF101S	2904-001221	FILTER-SAW AV,45.75MHz,SIP5K,ST,14.2dB,M
△ ...3	SWN01	3404-000295	SW-TACT.V;KPT1122R1KEYSTT-0.3M
△ ...3	FP801S	3601-000144	FUSE-FERRULE;125V,4A,SLOWBLOW,
△ ...3	V999S	3704-001089	SOCKET CRT;9P,22.5PI,12PI,SN,13
...3	CN704	3711-002646	POST-HEADER;67094-007(AUTO)
...3	JA701	3722-000162	JACK-PIN;2P,3.4MM,-,SN
△ ...3	IC201S	AA09-00295A	IC MICOM;TDA9377PS/N2/AI,SPM-458AN,64P3
△ ...3	T801S	AA26-00172A	TRANS-SWITCHING;EER3543,K15D,90-264,PM2A
△ ...3	T444S	AA26-00065A	TRANS FBT,-,FSV-14A004C(S),14-22,125V
△ ...3	T401	AA26-50001B	HORIZ.DRIVE,-,7.1MH,102UH,10-2
△ ...3	LR401S	AA27-00053A	COIL-LINEARLTY,-,193uH,DR10X10 C:4.35,7
△ ...3	LR801S	AA29-30001D	FILTER-LINE,-,6.0MH,2A,-,SQ191
...3	RM901	AA32-00015A	MODULE-REMOCON;FRP-3521H31,38KHZ,940MM,M
...3	CN501	AA39-20620A	LEADCONNECTOR-ASSY,-,YBNH025-09,S,9P,30
△ ...3	TU01S	AA40-00073A	TUNER-TECC1040PG32A(S),181CH,45.75MHZ,75
...3	IC301	AA96-00244A	ASSY H/S,-,-,AA62-00046A,LA7840,-
...4		0205-000129	GREASE-SILICON;SC102,JAPAN
...4		1204-001483	IC-VERTICAL PROCESSOR;LA7840,SIP,7P,708MI
...4		6003-000335	SCREW-TAPTITE;RH,+2S,M3,L8,ZPC(YEL),SWR
...4		AA62-00046A	HEAT SINK-PS,-,T1.0,-,D1(DREAM) 60X25X
...3	IC601	AA96-00244D	ASSY H/S,-,SOUND,AA62-00046A,TDA7266M,-
...4		0205-000129	GREASE-SILICON;SC102,JAPAN
...4		1201-001600	IC-AUDIO AMP;7266,ZSIP,15P,-,SINGLE,26dB
...4		6003-000335	SCREW-TAPTITE;RH,+2S,M3,L8,ZPC(YEL),SWR
...4		AA62-00046A	HEAT SINK-PS,-,T1.0,-,D1(DREAM) 60X25X
△ ...3	IC802	AA96-00245A	ASSY H/S,-,-,AA62-00055A,KA7632,-
...4		1203-001939	IC-POST.FIXED REG.;7632,SIP,10P,-,PLASTI
...4		6003-000334	SCREW-TAPTITE;RH,+2S,M3,L6,ZP
...4		AA62-00055A	HEAT SINK-PS,-,T1.0,-,35*15*25,D1,-,-
...3	LD901	AA96-00055A	ASSY LED GUIDE,-,UJEX-LD-030,GREEN
...3	IC501	AA96-50311A	ASSY-H/S,-,VIDEO,AA62-30175D,TDA6107Q,-
...4		1201-001159	IC-VIDEOAMP;TDA6107Q,ZIP,9P,300
...4		6003-000334	SCREW-TAPTITE;RH,+2S,M3,L6,ZP
...4		AA62-30175D	HEATSINK-PS,-,SECC,T1.0,-,33X15X30FT-2
△ ...3	IC801S	AA96-50395F	ASSY H/S,-,POWER,AA62-30190A,5Q0740RT
...4		0205-000129	GREASE-SILICON;SC102,JAPAN
...4		1203-002466	IC-PWM CONTROLLER;KA500740RT,TO220F-5L,5
...4		6003-000334	SCREW-TAPTITE;RH,+2S,M3,L6,ZP
...4		AA62-30190A	-,SECC-CA,T1.0,-,-,Cr03 A
...3	A/AUTO	AA97-07680A	ASSY AUTO-MAIN;K15D,SAMEX;13
...4	D201	0401-000005	DIODE;1N4148,100V,300mA,1V,8nS,TAPING
...4	D601	0401-000005	DIODE;1N4148,100V,300mA,1V,8nS,TAPING
△ ...4	D804	0401-000005	DIODE;1N4148,100V,300mA,1V,8nS,TAPING
△ ...4	D808	0401-000005	DIODE;1N4148,100V,300mA,1V,8nS,TAPING
△ ...4	D811	0401-000005	DIODE;1N4148,100V,300mA,1V,8nS,TAPING
△ ...4	DR003S	0401-000005	DIODE;1N4148,100V,300mA,1V,8nS,TAPING
△ ...4	D803	0401-000006	DIODE-SWITCHING;BAV21,250MA,400MW,50NS,2
...4	D303	0402-000132	DIODE-RECTIFIER;1N4004,400V,1A,DO-41
△ ...4	D809	0402-000132	DIODE-RECTIFIER;1N4004,400V,1A,DO-41
...4	D501	0402-000254	DIODE-RECTIFIER;RGP10J,600V,1A,DO-41
△ ...4	DR001S	0402-000254	DIODE-RECTIFIER;RGP10J,600V,1A,DO-41
△ ...4	D807	0402-000493	DIODE-RECTIFIER;1R5GU41,400V,1
...4	D302	0402-000534	DIODE-RECTIFIER;RG10V,400V,1.5
△ ...4	D805	0402-000540	DIODE-RECTIFIER;RU20A,600V,1.5
...4	D301	0402-001105	DIODE-RECTIFIER;ERB43-04SV1,40
...4	D304	0402-001105	DIODE-RECTIFIER;ERB43-04SV1,40
...4	D401	0402-001105	DIODE-RECTIFIER;ERB43-04SV1,40
...4	D502	0402-001105	DIODE-RECTIFIER;ERB43-04SV1,40

Loc. No.	Code No.	Description ; Specification	Remark
...4	D503	0402-001105	DIODE-RECTIFIER;ERB43-04SV1,40
...4	D504	0402-001105	DIODE-RECTIFIER;ERB43-04SV1,40
△ ...4	D812	0402-001105	DIODE-RECTIFIER;ERB43-04SV1,40
△ ...4	D801S	0402-001111	AB01-19ACTIFIER;1N5397GP,600V,1.5A,DO-20
△ ...4	D802S	0402-001111	AB01-19ACTIFIER;1N5397GP,600V,1.5A,DO-20
△ ...4	D803S	0402-001111	AB01-19ACTIFIER;1N5397GP,600V,1.5A,DO-20
△ ...4	D804S	0402-001111	AB01-19ACTIFIER;1N5397GP,600V,1.5A,DO-20
△ ...4	DR002S	0403-000508	DIODE-ZENER;MTZJ5.6B,5.6V,5.45-5.73V,500
...4	DZ211	0403-000508	DIODE-ZENER;MTZJ5.6B,5.6V,5.45-5.73V,500
...4	DZ401	0403-000508	DIODE-ZENER;MTZJ5.6B,5.6V,5.45-5.73V,500
...4	DZ402	0403-000508	DIODE-ZENER;MTZJ5.6B,5.6V,5.45-5.73V,500
...4	DZ903	0403-000508	DIODE-ZENER;MTZJ5.6B,5.6V,5.45-5.73V,500
...4	DZ904	0403-000508	DIODE-ZENER;MTZJ5.6B,5.6V,5.45-5.73V,500
...4	DZ905	0403-000508	DIODE-ZENER;MTZJ5.6B,5.6V,5.45-5.73V,500
...4	DZ803	0403-000699	DIODE-ZENER;TZP27B,27V,27-30.8
...4	DZ101	0403-000700	DIODE-ZENER;TZP33A,33V,31-35V,
...4	DZ303	0403-000700	DIODE-ZENER;TZP33A,33V,31-35V,
...4	DZ604	0403-000719	DIODE-ZENER;MTZJ7.5B,7.5V,7.07-7.45V,500
...4	DZ201	0403-000720	DIODE-ZENER;MTZJ9.1B,9.1V,8.57-9.01V,500
...4	DZ202	0403-000720	DIODE-ZENER;MTZJ9.1B,9.1V,8.57-9.01V,500
...4	DZ205	0403-000720	DIODE-ZENER;MTZJ9.1B,9.1V,8.57-9.01V,500
...4	DZ307	0403-000720	DIODE-ZENER;MTZJ9.1B,9.1V,8.57-9.01V,500
...4	DZ501	0403-000720	DIODE-ZENER;MTZJ9.1B,9.1V,8.57-9.01V,500
...4	DZ502	0403-000720	DIODE-ZENER;MTZJ9.1B,9.1V,8.57-9.01V,500
...4	DZ503	0403-000720	DIODE-ZENER;MTZJ9.1B,9.1V,8.57-9.01V,500
...4	DZ504	0403-000720	DIODE-ZENER;MTZJ9.1B,9.1V,8.57-9.01V,500
...4	DZ806	0403-000720	DIODE-ZENER;MTZJ9.1B,9.1V,8.57-9.01V,500
...4	DZ807	0403-000720	DIODE-ZENER;MTZJ9.1B,9.1V,8.57-9.01V,500
...4	DZ808	0403-000720	DIODE-ZENER;MTZJ9.1B,9.1V,8.57-9.01V,500
...4	DZ801	0403-001140	DIODE-ZENER;RD10ESAB-T4,10V,9.19-10.30V,
...4	DZ204	0403-001211	DIODE-ZENER;MTZJ12B,11.44-12.03V,500MW,D
...4	DZ302	0403-001221	DIODE-ZENER;UZ39BSB,35.36-37.19V,500MW,D
...4	DZ802	0403-001318	DIODE-ZENER;MTZJ4.3B,4.3V,4.17-4.43V,500mW,DO
...4	DZ901	0403-001373	DIODE-ZENER;MTZJ5.1A,4.81V-5.07V,500mW,D
...4	DZ905	0403-001327	DIODE-ZENER;MTZJ18A,16.22-17.06V,500mW,D
...4	DZ301	0403-001328	DIODE-ZENER;MTZJ22A,20.15-21.20V,500mW,D
...4	DZ305	0403-001328	DIODE-ZENER;MTZJ22A,20.15-21.20V,500mW,D
...4	Q201	0501-000283	TRANSISTOR;KSA539-Y(TAPG)/YTAM
...4	Q901	0501-000283	TRANSISTOR;KSA539-Y(TAPG)/YTAM
△ ...4	QR001S	0501-000283	TRANSISTOR;KSA539-Y(TAPG)/YTAM
...4	Q402	0501-000369	TRANSISTOR;KSC2331-Y(TAPG)
...4	Q202	0501-002183	TR-SMALL SIG;KTC9014,NPN,625MW,TO-92,100
...4	Q601	0501-002183	TR-SMALL SIG;KTC9014,NPN,625MW,TO-92,100
...4	Q802	0501-002183	TR-SMALL SIG;KTC9014,NPN,625MW,TO-92,100
...4	IC803	1203-001217	IC-POST,ADJUSTREG;431,TO-92,3P4.58MIL,P
...4	R207	2001-000005	R-CARBON;390OHM,5%,1/8W,AA,TP
...4	R905	2001-000005	R-CARBON;390OHM,5%,1/8W,AA,TP
...4	R906	2001-000005	R-CARBON;390OHM,5%,1/8W,AA,TP
...4	R206	2001-000010	R-CARBON;68Kohm,5%,1/8W,AA,TP,1.8x3.2mm
...4	R301	2001-000016	R-CARBON(S);10HM,5%,1/2W,AA,TP
...4	R843	2001-000019	R-CARBON(S);10ohm,5%,1/2W,AA,TP,2.4x6.4mm
...4	R409	2001-000022	R-CARBON(S);330OHM,5%,1/2W,AA,T
...4	R823	2001-000037	R-CARBON(S);330OHM,5%,1/2W,AA,
...4	R808	2001-000109	R-CARBON(S);470OHM,5%,1/2W,AA,
...4	R902	2001-000241	R-CARBON;1.5KOHM,5%,1/8W,AA,TP
...4	R904	2001-000241	R-CARBON;1.5KOHM,5%,1/8W,AA,TP
...4	R287	2001-000273	R-CARBON;100KOHM,5%,1/8W,AA,TP
...4	R211	2001-000281	R-CARBON;100OHM,5%,1/8W,AA,TP
...4	R233	2001-000281	R-CARBON;100OHM,5%,1/8W,AA,TP
...4	R501	2001-000281	R-CARBON;100OHM,5%,1/8W,AA,TP
...4	R502	2001-000281	R-CARBON;100OHM,5%,1/8W,AA,TP
...4	R506	2001-000281	R-CARBON;100OHM,5%,1/8W,AA,TP
...4	R510	2001-000281	R-CARBON;100OHM,5%,1/8W,AA,TP
...4	R511	2001-000281	R-CARBON;100OHM,5%,1/8W,AA,TP
...4	R512	2001-000281	R-CARBON;100OHM,5%,1/8W,AA,TP
...4	R909	2001-000281	R-CARBON;100OHM,5%,1/8W,AA,TP
...4	R911	2001-000281	R-CARBON;100OHM,5%,1/8W,AA,TP
...4	R912	2001-000281	R-CARBON;100OHM,5%,1/8W,AA,TP
...4	R913	2001-000281	R-CARBON;100OHM,5%,1/8W,AA,TP
...4	R914	2001-000281	R-CARBON;100OHM,5%,1/8W,AA,TP
...4	R917	2001-000281	R-CARBON;100OHM,5%,1/8W,AA,TP
...4	R933	2001-000281	R-CARBON;100OHM,5%,1/8W,AA,TP

Electrical Parts List

Loc. No.	Code No.	Description ; Specification	Remark	Loc. No.	Code No.	Description ; Specification	Remark
....4	R934	2001-000281	R-CARBON;1000HM,5%,1/8W,AA,TP,4	R804	2003-002102	R-METAL OXIDE;68Kohm,5%,2W,AF,TP,4x12mm
....4	R942	2001-000281	R-CARBON;1000HM,5%,1/8W,AA,TP,4	R603	2004-000195	R-METAL;100Kohm,1%,1/8W,AA,TP,1.8x3.2mm
....4	R943	2001-000281	R-CARBON;1000HM,5%,1/8W,AA,TP,4	R423	2004-004089	R-METAL;123KOHM,1%,1/2W,AA,TP,2.5X6.5
....4	R291A	2001-000290	R-CARBON;10KOHM,5%,1/8W,AA,TP,4	R817	2004-001377	R-METAL(S);120KOHM,1%,1/2W,AA,TP,2.4X6.4
....4	R601	2001-000290	R-CARBON;10KOHM,5%,1/8W,AA,TP,	△....4	RR003S	2004-002019	R-METAL(S);33Kohm,1%,1/2W,AA,TP,2.5x6.5mm
....4	R612	2001-000290	R-CARBON;10KOHM,5%,1/8W,AA,TP,4	R302	2004-001390	R-METAL(S);1KOHM,2%,1/2W,AA,TP
....4	R807	2001-000290	R-CARBON;10KOHM,5%,1/8W,AA,TP,4	R306	2004-001390	R-METAL(S);1KOHM,2%,1/2W,AA,TP
....4	R828	2001-000290	R-CARBON;10KOHM,5%,1/8W,AA,TP,4	R424	2004-001402	R-METAL(S);6.8KOHM,1%,1/2W,AA,
....4	R910	2001-000290	R-CARBON;10KOHM,5%,1/8W,AA,TP,4	R219	2004-001914	R-METAL;39KOHM,2%,1/8W,AA,TP,1
....4	R606	2001-000290	R-CARBON;10KOHM,5%,1/8W,AA,TP,4	R822	2004-001983	R-METAL;2.49KOHM,1%,1/2W,AA,TP,2.4X6.4
....4	R224	2001-000290	R-CARBON;10KOHM,5%,1/8W,AA,TP,	△....4	RR004S	2004-001379	R-METAL(S);12KOHM,1%,1/2W,AA,T
....4	R225	2001-000325	R-CARBON;1200HM,5%,1/8W,AA,TP4	R304	2008-000253	R-FUSIBLE(S);0.470HM,5%,1W,AF,
....4	R205	2001-000397	R-CARBON;180KOHM,5%,1/8W,AA,TP4	R305	2008-000253	R-FUSIBLE(S);0.470HM,5%,1W,AF,
△....4	RR005S	2001-000397	R-CARBON;180KOHM,5%,1/8W,AA,TP4	R801	2008-001107	R-FUSIBLE(S);300ohm,5%,2W,AG,TP,3.9x12mm
....4	R218	2001-000411	R-CARBON;18KOHM,5%,1/8W,AA,TP,4	R825	2008-000266	R-FUSIBLE(S);10HM,5%,2W,AF,TP,
△....4	RR002S	2001-000411	R-CARBON;18KOHM,5%,1/8W,AA,TP,4	R303	2008-000266	R-FUSIBLE(S);10HM,5%,2W,AF,TP,
....4	R602	2001-000429	R-CARBON;1Kohm,5%,1/8W,AA,TP,1.8x3.2mm4	R608	2008-000284	R-FUSIBLE(S);0.10HM,10%,2W,AF,TP,3.9X10M
....4	R604	2001-000429	R-CARBON;1Kohm,5%,1/8W,AA,TP,1.8x3.2mm4	R609	2008-000284	R-FUSIBLE(S);0.10HM,10%,2W,AF,TP,3.9X10M
....4	R926	2001-000429	R-CARBON;1Kohm,5%,1/8W,AA,TP,1.8x3.2mm4	R824	2008-000294	R-FUSIBLE;330HM,5%,2W,AF,TP,3
....4	R944	2001-000429	R-CARBON;1Kohm,5%,1/8W,AA,TP,1.8x3.2mm4	R422	2008-001011	R-FUSIBLE(S);0.10HM,10%,2W,AF
....4	R918	2001-000449	R-CARBON;2.2KOHM,5%,1/8W,AA,TP4	R420	2008-001047	R-FUSIBLE(S);68ohm,5%,2W,AF,TP,3.9x10mm
....4	R940	2001-000449	R-CARBON;2.2KOHM,5%,1/8W,AA,TP4	C806A	2201-000108	C-CERAMIC,DISC;1.5NF,10%,1KV,Y
....4	R941	2001-000449	R-CARBON;2.2KOHM,5%,1/8W,AA,TP4	C501	2201-000193	C-CERAMIC,DISC;10PF,0.25PF,50V
....4	R220	2001-000472	R-CARBON;2.7KOHM,5%,1/8W,AA,TP4	C302	2201-000259	C-CERAMIC,DISC;180PF,10%,500V,Y5P,6X4MM,
....4	R901	2001-000472	R-CARBON;2.7KOHM,5%,1/8W,AA,TP4	C816	2201-000375	C-CERAMIC,DISC;220PF,5%,50V,RH
....4	R903	2001-000472	R-CARBON;2.7KOHM,5%,1/8W,AA,TP	△....4	CR409S	2201-000406	C-CERAMIC,HIC;CK45(T)B2KV271-K
....4	R907	2001-000472	R-CARBON;2.7KOHM,5%,1/8W,AA,TP4	C908	2201-000573	C-CERAMIC,DISC;47PF,5%,50V,NPO
....4	R908	2001-000472	R-CARBON;2.7KOHM,5%,1/8W,AA,TP4	C909	2201-000573	C-CERAMIC,DISC;47PF,5%,50V,NPO
....4	R607	2001-000472	R-CARBON;2.7KOHM,5%,1/8W,AA,TP4	C408	2201-000599	C-CERAMIC,DISC;560PF,10%,500V,
....4	R214	2001-000490	R-CARBON;2000HM,5%,1/8W,AA,TP,	△....4	CR404S	2201-000639	C-CERAMIC,DISC;680PF,10%,2KV,Y5P,-5MM,T
....4	R829	2001-000563	R-CARBON;27KOHM,5%,1/8W,AA,TP,1.8X3.2MM4	C503	2201-000723	C-CERAMIC,DISC;4.7nf,20%,3KV,Y5U,TP,16x5
△....4	R208	2001-000591	R-CARBON;3.3KOHM,5%,1/8W,AA,TP4	C811	2201-000991	C-CERAMIC,HIC;CK45(T)B2KV561-K
△....4	RR001S	2001-000660	R-CARBON;33KOHM,5%,1/8W,AA,TP4	C105	2202-000127	C-CERAMIC,MLC-AXIAL;10NF,+80-2
....4	R202	2001-000689	R-CARBON;390KOHM,5%,1/8W,AA,TP4	C111	2202-000127	C-CERAMIC,MLC-AXIAL;10NF,+80-2
....4	R830	2001-000734	R-CARBON;4.7KOHM,5%,1/8W,AA,TP4	C912	2202-000127	C-CERAMIC,MLC-AXIAL;10NF,+80-2
....4	R925	2001-000734	R-CARBON;4.7KOHM,5%,1/8W,AA,TP4	C223	2202-000796	C-CERAMIC,MLC-AXIAL;1NF,10%,50
....4	R708	2001-000734	R-CARBON;4.7KOHM,5%,1/8W,AA,TP4	C224	2202-000796	C-CERAMIC,MLC-AXIAL;1NF,10%,50
....4	R227	2001-000739	R-CARBON;4.7MOHM,5%,1/8W,AA,TP4	C602	2202-000796	C-CERAMIC,MLC-AXIAL;1NF,10%,50
....4	R228	2001-000739	R-CARBON;4.7MOHM,5%,1/8W,AA,TP4	C906	2202-000796	C-CERAMIC,MLC-AXIAL;1NF,10%,50
....4	R109	2001-000786	R-CARBON;47KOHM,5%,1/8W,AA,TP,4	C505	2202-000106	C-CERAMIC,MLC-AXIAL;1.5nf,20%,16V,Y5P,TP
....4	R927	2001-000793	R-CARBON;470HM,5%,1/8W,AA,TP,14	C226	2202-000829	C-CERAMIC,MLC-AXIAL;820pF,10%,50V,Y5P,TP
....4	R203	2001-000857	R-CARBON;560OHM,5%,1/8W,AA,TP,4	C211	2202-002037	C-CERAMIC,MLC-AXIAL;100NF,+80-20
....4	R110	2001-000924	R-CARBON;680ohm,5%,1/8W,AA,TP,1.8x3.2mm4	C502	2301-000213	C-FILM,PEF;22NF,5%,250V,21.5X
....4	R915	2001-000924	R-CARBON;680ohm,5%,1/8W,AA,TP,1.8x3.2mm4	C109	2301-000224	C-FILM,PEF;22NF,5%,50V,7.4X3.9
....4	R108	2001-000947	R-CARBON;7.5KOHM,5%,1/8W,AA,TP4	C804	2301-000224	C-FILM,PEF;22NF,5%,50V,7.4X3.9
....4	R222	2001-000947	R-CARBON;7.5KOHM,5%,1/8W,AA,TP4	C810	2301-000224	C-FILM,PEF;22NF,5%,50V,7.4X3.9
....4	R605	2001-000947	R-CARBON;7.5KOHM,5%,1/8W,AA,TP4	C309	2301-000254	C-FILM,PEF;39NF,5%,50V,7.5X3.5X6.5MM,5MM
....4	R212	2001-000969	R-CARBON;75OHM,5%,1/8W,AA,TP,14	C227	2301-000301	C-FILM,PEF;6.8NF,5%,50V,6.5X5.
....4	R215	2001-000969	R-CARBON;75OHM,5%,1/8W,AA,TP,14	C604	2301-000301	C-FILM,PEF;6.8NF,5%,50V,6.5X5.
....4	R610	2001-000969	R-CARBON;75OHM,5%,1/8W,AA,TP,14	C217	2301-000342	C-FILM,PEF;2.2nf,5%,50V,TP,7.4x3.9x13mm,
....4	R408	2001-001037	R-CARBON(S);0.390HM,5%,1/2W,AA4	C234	2301-000342	C-FILM,PEF;2.2nf,5%,50V,TP,7.4x3.9x13mm,
....4	R504	2001-001062	R-CARBON(S);10MOHM,5%,1/2W,AA,4	C805	2301-000342	C-FILM,PEF;2.2nf,5%,50V,TP,7.4x3.9x13mm,
....4	R414	2001-001078	R-CARBON(S);15KOHM,5%,1/2W,AA,4	C407	2301-000383	C-FILM,PEF;10nf,5%,50V,TP,6x7x3.2mm,5mm
....4	R832	2001-001088	R-CARBON(S);1KOHM,5%,1/2W,AA,TP,2.4X6.44	C248	2301-000445	C-FILM,PEF;4.7nf,5%,50V,TP,5.5x7x3mm,5mm
....4	R819	2001-001088	R-CARBON(S);1KOHM,5%,1/2W,AA,TP,2.4X6.44	C232	2301-000445	C-FILM,PEF;4.7nf,5%,50V,TP,5.5x7x3mm,5mm
....4	R820	2001-001088	R-CARBON(S);1KOHM,5%,1/2W,AA,TP,2.4X6.44	C420	2301-001065	C-FILM,MPPF;47NF,5%,630V,TP,19
....4	R840	2001-001108	R-CARBON(S);22KOHM,5%,1/2W,AA,4	C312	2305-000149	C-FILM;CF922N100VT104-J-40/105
....4	R411	2001-001114	R-CARBON(S);270OHM,5%,1/2W,AA,4	C301	2305-000285	C-FILM,MPEF;220NF,5%,100V,-5M
....4	R821	2001-001131	R-CARBON(S);33KOHM,5%,1/2W,AA,4	C215	2305-000289	C-FILM,MPEF;220NF,5%,63V,-5MM
....4	R809	2001-001150	R-CARBON(S);470KOHM,5%,1/2W,AA4	C216	2305-000289	C-FILM,MPEF;220NF,5%,63V,-5MM
....4	R810	2001-001150	R-CARBON(S);470KOHM,5%,1/2W,AA4	C233	2305-000289	C-FILM,MPEF;220NF,5%,63V,-5MM
....4	R818	2001-001154	R-CARBON(S);5.1KOHM,5%,1/2W,AB	△....4	CR405S	2305-000382	C-FILM,MPEF;4.7NF,5%,400V,TP,-5MM.
....4	R805	2001-001170	R-CARBON(S);6.8OHM,5%,1/2W,AB,4	C916	2305-000411	C-FILM,MPEF;470NF,5%,50V,7.3X4
....4	R405	2001-001195	R-CARBON(S);820HM,5%,1/2W,AA,T4	C103	2305-000665	C-FILM;104J, 60V,5MM TAPING
....4	R831	2001-001192	R-CARBON(S);820OHM,5%,1/2W,AB,4	C207	2305-000665	C-FILM;104J, 60V,5MM TAPING
....4	R503	2002-001008	R-COMPOSITION;1.8KOHM,10%1/2W,AA,TP,3.74	C208	2305-000665	C-FILM;104J, 60V,5MM TAPING
....4	R501M	2002-001008	R-COMPOSITION;1.8KOHM,10%1/2W,AA,TP,3.74	C210	2305-000665	C-FILM;104J, 60V,5MM TAPING
....4	R502M	2002-001008	R-COMPOSITION;1.8KOHM,10%1/2W,AA,TP,3.74	C218	2305-000665	C-FILM;104J, 60V,5MM TAPING
△....4	RP801S	2002-001010	R-COMPOSITION;1.8MOHM,5%,1/2W,AA,TP,3.7X4	C222	2305-000665	C-FILM;104J, 60V,5MM TAPING
△....4	RY801S	2002-001013	R-COMPOSITION;4.7MOhm,5%,1/2W,AA,TP,3.7X4	C230	2305-000665	C-FILM;104J, 60V,5MM TAPING
....4	R402	2003-002178	R-METAL OXIDE(S) 1Kohm,5%,2W,AG,TP,3.9X14	C803	2305-000665	C-FILM;104J, 60V,5MM TAPING
....4	R316	2003-002009	R-METALOXIDE(S);390OHM,5%,2W,A4	C819	2305-000665	C-FILM;104J, 60V,5MM TAPING
....4	R413	2003-000664	R-METAL OXIDE(S);330HM,5%,2W,AF,TP,4X12M4	C913	2305-000665	C-FILM;104J, 60V,5MM TAPING
....4	R403	2003-002173	R-METAL OXIDE(S);7.5Kohm,5%,2W,AG,TP,3.94	C920	2305-000665	C-FILM;104J, 60V,5MM TAPING
....4	R827	2003-001023	R-METALOXIDE(S);120OHM,5%,2W,A4	C225	2309-000138	C-FILM,PE-PFF;100NF,5%,50V,TP,
....4	R407	2003-001040	R-METALOXIDE(S);47Kohm,5%,2W,AF,TP,3.9x14	C812	2401-000262	C-AL;100UF,20%,160V,GP,16X25MM,5MM,
....4	R803	2003-002102	R-METAL OXIDE;68Kohm,5%,2W,AF,TP,4x12mm4	C817	2401-000302	C-AL;100UF,20%,25V,GP,6X11MM,5

Loc. No.	Code No.	Description ; Specification	Remark	Loc. No.	Code No.	Description ; Specification	Remark	
....4	C821	2401-000302	C-AL;100UF,20%,25V,GP,6X11MM,54	J111	3812-000219	WIRE-SO,COPPER;TAO.6SN/52M/M(A	
....4	C823	2401-000302	C-AL;100UF,20%,25V,GP,6X11MM,54	J112	3812-000219	WIRE-SO,COPPER;TAO.6SN/52M/M(A	
....4	C307	2401-000360	C-AL;100UF,20%,50V,GP,8X11MM,54	J113	3812-000219	WIRE-SO,COPPER;TAO.6SN/52M/M(A	
....4	C308	2401-000360	C-AL;100UF,20%,50V,GP,8X11MM,54	J114	3812-000219	WIRE-SO,COPPER;TAO.6SN/52M/M(A	
....4	C506	2401-000430	C-ELECTROLYTIC;CE04WTAPG250V104	J115	3812-000219	WIRE-SO,COPPER;TAO.6SN/52M/M(A	
△4	CR01S	2401-000480	C-AL;10UF,20%,50V,GP,5X11MM,5M4	J117	3812-000219	WIRE-SO,COPPER;TAO.6SN/52M/M(A
△4	CR02S	2401-000480	C-AL;10UF,20%,50V,GP,5X11MM,5M4	J120	3812-000219	WIRE-SO,COPPER;TAO.6SN/52M/M(A
....4	CE01	2401-000480	C-AL;10UF,20%,50V,GP,5X11MM,5M4	J121	3812-000219	WIRE-SO,COPPER;TAO.6SN/52M/M(A	
....4	C403	2401-000560	-AL;1UF,20%,160V,GP,GT,6.3,11MM4	J122	3812-000219	WIRE-SO,COPPER;TAO.6SN/52M/M(A	
....4	C219	2401-000603	C-AL;1UF,20%,50V,GP,5X11MM,5MM4	J123	3812-000219	WIRE-SO,COPPER;TAO.6SN/52M/M(A	
....4	C601	2401-000603	C-AL;1UF,20%,50V,GP,5X11MM,5MM4	J124	3812-000219	WIRE-SO,COPPER;TAO.6SN/52M/M(A	
....4	C603	2401-000603	C-AL;1UF,20%,50V,GP,5X11MM,5MM4	J128	3812-000219	WIRE-SO,COPPER;TAO.6SN/52M/M(A	
....4	C221	2401-000660	C-ELECTROLYTIC;CE04WTAPG50V2.24	J129	3812-000219	WIRE-SO,COPPER;TAO.6SN/52M/M(A	
....4	C212	2401-000660	C-ELECTROLYTIC;CE04WTAPG50V2.24	J130	3812-000219	WIRE-SO,COPPER;TAO.6SN/52M/M(A	
....4	C827	2401-000927	C-AL;22UF,20%,250V,GP,13X20MM,4	J131	3812-000219	WIRE-SO,COPPER;TAO.6SN/52M/M(A	
....4	C110	2401-000962	C-AL;22uf,20%,50V,GP,TP,5x11.54	J132	3812-000219	WIRE-SO,COPPER;TAO.6SN/52M/M(A	
....4	C802	2401-001192	C-AL;33UF,20%,50V,GP,6X11MM,5MM,TP4	J135	3812-000219	WIRE-SO,COPPER;TAO.6SN/52M/M(A	
....4	C504	2401-001232	C-AL;4.7UF,20%,250V,GP,10X12.54	J137	3812-000219	WIRE-SO,COPPER;TAO.6SN/52M/M(A	
....4	C304	2401-001397	C-AL;470UF,20%,25V,GP,10X16MM,4	J138	3812-000219	WIRE-SO,COPPER;TAO.6SN/52M/M(A	
....4	C306	2401-002288	C-ELEC;CE04-55/10525VT471-MWVRG4	J139	3812-000219	WIRE-SO,COPPER;TAO.6SN/52M/M(A	
....4	C209	2401-001840	C-AL;100UF,20%,16V,GP,TP,6.3X14	J140	3812-000219	WIRE-SO,COPPER;TAO.6SN/52M/M(A	
....4	C213	2401-001840	C-AL;100UF,20%,16V,GP,TP,6.3X14	J142	3812-000219	WIRE-SO,COPPER;TAO.6SN/52M/M(A	
....4	C229	2401-001840	C-AL;100UF,20%,16V,GP,TP,6.3X14	J150	3812-000219	WIRE-SO,COPPER;TAO.6SN/52M/M(A	
....4	C903	2401-001840	C-AL;100UF,20%,16V,GP,TP,6.3X14	J401	3812-000219	WIRE-SO,COPPER;TAO.6SN/52M/M(A	
....4	C910	2401-001840	C-AL;100UF,20%,16V,GP,TP,6.3X14	J604	3812-000219	WIRE-SO,COPPER;TAO.6SN/52M/M(A	
....4	C605	2401-001998	C-AL;1000UF,20%,25V,GP,TP,10X204	J605	3812-000219	WIRE-SO,COPPER;TAO.6SN/52M/M(A	
....4	C901	2401-002144	C-AL;47uf,20%,16V,GP,TP,5x11.54	J606	3812-000219	WIRE-SO,COPPER;TAO.6SN/52M/M(A	
....4	C203	2401-002235	C-ELECTROLYTIC;CE04W(T)16V10M4	J801	3812-000219	WIRE-SO,COPPER;TAO.6SN/52M/M(A	
....4	C206	2401-002235	C-ELECTROLYTIC;CE04W(T)16V10M4	J802	3812-000219	WIRE-SO,COPPER;TAO.6SN/52M/M(A	
....4	C220	2401-002235	C-ELECTROLYTIC;CE04W(T)16V10M4	J803	3812-000219	WIRE-SO,COPPER;TAO.6SN/52M/M(A	
....4	C231	2401-002235	C-ELECTROLYTIC;CE04W(T)16V10M4	J804	3812-000219	WIRE-SO,COPPER;TAO.6SN/52M/M(A	
....4	C820	2401-002235	C-ELECTROLYTIC;CE04W(T)16V10M4	J806	3812-000219	WIRE-SO,COPPER;TAO.6SN/52M/M(A	
....4	C813	2401-002290	C-AL;47uf,20%,160V,GP,TP,13x20.54	J807	3812-000219	WIRE-SO,COPPER;TAO.6SN/52M/M(A	
....4	C101	2401-002594	C-AL;220uf,20%,16V,GP,TP,8x11.5.54	J808	3812-000219	WIRE-SO,COPPER;TAO.6SN/52M/M(A	
....4	C406	2401-002619	C-AL;47uf,20%,25V,GP,TP,5x11.54	JAW02	3812-000219	WIRE-SO,COPPER;TAO.6SN/52M/M(A	
....4	C818	2401-003028	C-AL;100UF,20%,25V,GP,TP,6.3X14	L403	3812-000219	WIRE-SO,COPPER;TAO.6SN/52M/M(A	
....4	L103	2701-000114	INDUCTOR-AXIAL;10UH,10%,2.5X3.4	R229	3812-000219	WIRE-SO,COPPER;TAO.6SN/52M/M(A	
....4	L202	2701-000114	INDUCTOR-AXIAL;10UH,10%,2.5X3.4	R309	3812-000219	WIRE-SO,COPPER;TAO.6SN/52M/M(A	
....4	L903	2701-000114	INDUCTOR-AXIAL;10UH,10%,2.5X3.4	R507	3812-000219	WIRE-SO,COPPER;TAO.6SN/52M/M(A	
....4	R101	2701-000114	INDUCTOR-AXIAL;10UH,10%,2.5X3.4	R508	3812-000219	WIRE-SO,COPPER;TAO.6SN/52M/M(A	
....4	R102	2701-000114	INDUCTOR-AXIAL;10UH,10%,2.5X3.4	R509	3812-000219	WIRE-SO,COPPER;TAO.6SN/52M/M(A	
....4	L203	2701-000127	INDUCTOR-AXIAL;15UH,10%,2.5X3.4	R850	3812-000219	WIRE-SO,COPPER;TAO.6SN/52M/M(A	
....4	L301	2701-000142	INDUCTOR-AXIAL;1UH,10%,2.5X3.44	J822	3812-000219	WIRE-SO,COPPER;TAO.6SN/52M/M(A	
....4	L302	2701-000142	INDUCTOR-AXIAL;1UH,10%,2.5X3.44	J125	3812-000219	WIRE-SO,COPPER;TAO.6SN/52M/M(A	
....4	L404	2701-000142	INDUCTOR-AXIAL;1UH,10%,2.5X3.44	L805	3812-000219	WIRE-SO,COPPER;TAO.6SN/52M/M(A	
....4	L102	2701-000159	INDUCTORAXIAL;22uH,10%,4.2x9.8mm4	J601	3812-000219	WIRE-SO,COPPER;TAO.6SN/52M/M(A	
....4	L201	2701-000159	INDUCTORAXIAL;22uH,10%,4.2x9.8mm4	J811	3812-000219	WIRE-SO,COPPER;TAO.6SN/52M/M(A	
....4	L230	2701-000159	INDUCTORAXIAL;22uH,10%,4.2x9.8mm4	L206	3812-000219	WIRE-SO,COPPER;TAO.6SN/52M/M(A	
....4	L405	2701-000159	INDUCTORAXIAL;22uH,10%,4.2x9.8mm4	00VER	AA41-00625A	PCB-MAIN;CT2188,FR-1,1L,A,1.6T,245X245,K	
....4	L902	2701-000177	INDUCTOR-AXIAL;33UH,10%,2.5X3.4MM4	EY401	AA60-40011A	EYELET;-ID2.0,0D2.8,-,BST	
....4	L904	2701-000177	INDUCTOR-AXIAL;33UH,10%,2.5X3.4MM4	EY402	AA60-40011A	EYELET;-ID2.0,0D2.8,-,BST	
....4	L804	2701-001030	INDUCTOR-AXIAL;43uH,10%,14x4.5mm4	EY403	AA60-40011A	EYELET;-ID2.0,0D2.8,-,BST	
....4	L807	2701-001030	INDUCTOR-AXIAL;43uH,10%,14x4.5mm4	EY404	AA60-40011A	EYELET;-ID2.0,0D2.8,-,BST	
....4	X901	2801-003433	CRYSTAL-UNIT;12MHZ,30PPM,28-AAM,30PF,3004	EY405	AA60-40011A	EYELET;-ID2.0,0D2.8,-,BST	
....4	L808	2901-000297	FILTER-EMI ON BOARD;-,3A,-,-,3.5x5,TP,-4	EY414	AA60-40011A	EYELET;-ID2.0,0D2.8,-,BST	
....4	L806	3301-000287	CORE-FERRITEBEAD;AA,3.5X1.0X6.4	EY415	AA60-40011A	EYELET;-ID2.0,0D2.8,-,BST	
....4	L802	3301-000287	CORE-FERRITEBEAD;AA,3.5X1.0X6.4	EY416	AA60-40011A	EYELET;-ID2.0,0D2.8,-,BST	
....4	L803	3301-000287	CORE-FERRITEBEAD;AA,3.5X1.0X6.4	EY417	AA60-40011A	EYELET;-ID2.0,0D2.8,-,BST	
....4	J127	3301-000287	CORE-FERRITEBEAD;AA,3.5X1.0X6.4	EY418	AA60-40011A	EYELET;-ID2.0,0D2.8,-,BST	
....4	SW901	3404-000244	SWITCH-TACT;15V,20MA,90-170GF,4	EY419	AA60-40011A	EYELET;-ID2.0,0D2.8,-,BST	
....4	SW902	3404-000244	SWITCH-TACT;15V,20MA,90-170GF,4	EY420	AA60-40011A	EYELET;-ID2.0,0D2.8,-,BST	
....4	SW903	3404-000244	SWITCH-TACT;15V,20MA,90-170GF,4	EY421	AA60-40011A	EYELET;-ID2.0,0D2.8,-,BST	
....4	SW904	3404-000244	SWITCH-TACT;15V,20MA,90-170GF,4	EY501	AA60-40011A	EYELET;-ID2.0,0D2.8,-,BST	
....4	SW905	3404-000244	SWITCH-TACT;15V,20MA,90-170GF,4	EY819	AA60-40011A	EYELET;-ID2.0,0D2.8,-,BST	
△4	FD801S	FUSE-AXIAL LEAD;125V,5A,FAST-ACTING,GLAS4	EY827	AA60-40011A	EYELET;-ID2.0,0D2.8,-,BST	
....4	F801A	3602-000114	FUSE-HOLDER;-,-,30MOHM4	EY829	AA60-40011A	EYELET;-ID2.0,0D2.8,-,BST	
....4	F801B	3602-000114	FUSE-HOLDER;-,-,30MOHM4	EY833	AA60-40011A	EYELET;-ID2.0,0D2.8,-,BST	
....4	DZ804	3812-000219	WIRE-SO,COPPER;TAO.6SN/52M/M(A4	EY701	AA60-40011A	EYELET;-ID2.0,0D2.8,-,BST	
....4	J101	3812-000219	WIRE-SO,COPPER;TAO.6SN/52M/M(A4	EY702	AA60-40011A	EYELET;-ID2.0,0D2.8,-,BST	
....4	J102	3812-000219	WIRE-SO,COPPER;TAO.6SN/52M/M(A4	EL401	AA60-40011B	EYELET;-ID2.2,0D3.2,-,BSP	
....4	J103	3812-000219	WIRE-SO,COPPER;TAO.6SN/52M/M(A4	EL402	AA60-40011B	EYELET;-ID2.2,0D3.2,-,BSP	
....4	J104	3812-000219	WIRE-SO,COPPER;TAO.6SN/52M/M(A4	EL801	AA60-40011B	EYELET;-ID2.2,0D3.2,-,BSP	
....4	J105	3812-000219	WIRE-SO,COPPER;TAO.6SN/52M/M(A4	EL802	AA60-40011B	EYELET;-ID2.2,0D3.2,-,BSP	
....4	J106	3812-000219	WIRE-SO,COPPER;TAO.6SN/52M/M(A4	GT301	AA60-40014A	PIN-GT,ASSY;1P,-,-,AUTO	
....4	J107	3812-000219	WIRE-SO,COPPER;TAO.6SN/52M/M(A4	GT302	AA60-40014A	PIN-GT,ASSY;1P,-,-,AUTO	
....4	J108	3812-000219	WIRE-SO,COPPER;TAO.6SN/52M/M(A4	GT401	AA60-40014A	PIN-GT,ASSY;1P,-,-,AUTO	
....4	J110	3812-000219	WIRE-SO,COPPER;TAO.6SN/52M/M(A4	GT402	AA60-40014A	PIN-GT,ASSY;1P,-,-,AUTO	

Loc. No.	Code No.	Description ; Specification	Remark
....4	GT501	AA60-40014A PIN-GT,ASSY;1P,-,-,AUTO	
....4	GT801	AA60-40014A PIN-GT,ASSY;1P,-,-,AUTO	
....4	GT802	AA60-40014A PIN-GT,ASSY;1P,-,-,AUTO	
....4	GT803	AA60-40014A PIN-GT,ASSY;1P,-,-,AUTO	
....4	GT804	AA60-40014A PIN-GT,ASSY;1P,-,-,AUTO	
....4	GT805	AA60-40014A PIN-GT,ASSY;1P,-,-,AUTO	
....4	Z201	2903-000129 FILTER-CERAMIC;BR,4.5MHz,-,-,-,TP,-	
....4	RE01	2001-000117 R-CARBON(S);68ohm,5%,1/2W,AA,TP,2.4x6.4mm	
....4	RE02	2001-000117 R-CARBON(S);68ohm,5%,1/2W,AA,TP,2.4x6.4mm	
....4	C915	2401-002009 C-AL;100UF,20%,16V,GP,TP6.3X7	
....4	R505	2008-000264 R-FUSIBLE(S);10HM,5%,1W,AF,TP,	
....4	C815	2401-000703 C-ELEC;CE04-40/8525VT222-MWSD	
....4	R421	2008-001018 R-FUSIBLE(S);0.470HM,10%,2W,AF	
△...3	PWR/AC	AA96-20129C ASSY-POWER,CORD;- ,EP2/YES,H/C200,ME301P,	
....4		AA39-10007Y POWER-CORD;- ,EP2/YES,SPT-2 18AWGx2C,2.4mm	
....4		AA61-20284A HOLDER P CORD;PP,VO,BLK,KE-002	
....3		0204-000442 SOLVENT;CH3-CH5H-CH396%IM-1000	
....3		0202-000008 SOLDER-WIRE;S63S-D3.0,S63A,D3.63/37	
....3		0204-001024 FLUX;DF-96TVS,-,20%,-	
....3		0202-000187 SOLDER-WIREFLUX;- ,RS60S,D1.2,6	
....3	C801	2401-000822 C-ELECTROLYTIC;CE04W200V220U-H	
△...3	NT801S	1404-001045 THERMISTOR NTC;4.70HM,15%,2900K,35.0MW,T	
△...3	CY801S	2201-002002 C-CERAMIC,DISC;4700PF,20%,400V	
....3	JA703	3722-000184 JACK-RCA;2P,3.4MM,-,AG	
....3	JE601	3722-000143 JACK-PHONE;1P,3.4MM,-,MBAG	
....3	CN702A	AA39-20070D LEAD-CONNECTOR,ASSY;- ,YBNH025-07,67096-0	
....3	CN603	3711-002642 POST-HEADER;67094-003(AUTO)	
△...3	P803S	1404-001247 THERMISTOR-PTC;1.50HM;+30/-20,110V,140VA	
△...3	CR402S	2306-000195 C-FILM,MPPF;360NF,5%,400V,26.0	

ASSY-COVER

1	ASSY,COV	AA90-03303A ASSY-COVER;FRONT;K15D,13,SECA	
..2	PA+CF	6006-001095 SCREW-ASSY TAPT;WPBH,+ ,M4,L12,ZPC(YEL)	
..2	CRT+CF	AA60-10050Q SCREW-ASSY;WC,HH,M5,L26.5,SWRCH,	
..2	STTOPER	AA61-40113A STOPPER-PCB;- ,ABS,HB,NTR.	
..2	BWCOIL	AA63-10002B BAND-TIE;- ,NYLON66V2,-,-,L140,NTR,-,-	
..2	SPKF	AA63-60001Z SPACER-FELT;- ,FELT,T1.0,-,35X8	
..2	F/C	AA64-00162A CABINET-FRONT;14F2,BK708P,HIPS,VO,BLK	
....3	IL+CF	6002-000512 SCREW-TAPPING;RH,+ ,2,M4,L12,ZP	
....3	WR+CF	6002-000512 SCREW-TAPPING;RH,+ ,2,M4,L12,ZP	
....3		AA61-40010B BOSS-CABINET;- ,HIPS,VO,BLK.	
....3	SPRING	AA61-60003J SPRING-CS;- ,SUS304,0.5,0D6,H	
....3	KC	AA64-00164B KNOB-CONTROL;14F2,ABS,HB,BLK	
....3	KP	AA64-00165B KNOB-POWER;14F2,NO-SILK,ABS,HB,BLK	
....3	WINDOW	AA64-00166B WINDOW-REMOCON;14F2,PC,VIOLET	
....3	INLED	AA64-00167B INDICATOR-LED;14F2,ACRYL,CLR,	
..2	BADGE	AA64-70127F BADGE-BRAND;AL,SS,SILVER,R800	
..2	CWIRFC	AA65-30105A CLAMP-WIRE;NYLON 66N,VO,NTR,15MM	
..2	L/QMS	AA68-02391A LABEL-QMS;ART-PAPER(90)G,110x24mm	
..2	L/FUSE	AA68-01556A LABEL CAUTION;ARTPAPER90(S)CSA	
..2	L/WARN	AA68-01619A LABELWARNING;ARTPAPER90(S)	
..2	A/SPK	AA96-10014A ASSY-SPEAKER;80HM,2.5W,3(2),F/200	
....3	SPK	3001-000281 SPEAKER-GENERAL;2.5W80HM77MM77	
....3	L/SPK	AA39-20500A LEAD CONNECTOR-ASSY;- ,67096-003,REC,3(2)	
..2	L/WARN	AA68-01620A LABEL-WARNING;ARTPAPER90(S)	

ASSY COVER/REAR

1	ASSY,COV	AA90-03304A ASSY COVER/REAR;TXM1367X/XAC;K15D	
..2	CB+CF	6003-001026 SCREW-TAPTITE;RH,+ ,B,M4,L15,ZPC(BLK),SWR	
..2	B/C	AA64-00259A CABINET-BACK;- ,14F2,-,HIPS,VO,BLK.	
..2	AC+BC	AA65-30008A CLAMP-CORD;- ,PE,HB,BLK,-,-	

Loc. No.	Code No.	Description ; Specification	Remark
ASSY-CPT			
1	ASSY,CPT	AA91-04394A ASSY-CPT;+380MG,TXM1367X;K15D	
..2	TAPE	0203-001303 TAPE-ACETATE;#1554,T0.25,W19,L30000,WHT	
..2	TAPE-DY	0203-001279 TAPE-OPP MASKING;#232,T0.14,W15,L50000,Y	
△..2	CRT	AA03-10002M CRT-COLOR;- ,A34KQV42X,OMG,14,	
..2	C-Y	AA27-00001A MAGNET-CONVERGENCE;JH225-06A,225MM	
..2	D-Y	AA27-00177A DEFLECTION YOKE;CT-331E,(SEMSA)DSE-1422F	
..2	D-COIL	AA27-00210A COIL DEGAUSSING;0.58MMH,10%,25T,1.50HM,1	
..2	CDCOIL	AA61-00735A HOLDER;20POLYVINIL,DEGAUSSING,CHLORI	
..2	SPACER	AA63-60028A SPACER-DY;- ,NEOPRENE,-,BLK,VOV	
..2	A/TBC	AA98-70014A ASSY-TBC-WIRE;14,NTSC,1P,TVI	

ASSY BOX

1	ASSY,BOX	AA92-05613A ASSY BOX;TXM1367X;K15D	
..2	BOX	AA68-01542A LABEL;(UNIBOX),PAPER WHT ALLMD	
..2	PCK	AA69-00128B PACKING-CASE;14F2A,AMERICA SAMEX TVI,CB	

ASSY LABEL

1	ASSY,LAB	AA92-05617A ASSY LABEL;TXM1367X/XAC;K15D	
..2	L/DOC	AA68-00563A LABEL-DOC;A/P 90(G),CANADA,WHT/BLUE,70X2	
..2	L/CSA	AA68-01543A LABEL;CSA A/V ORIGIN,BLUE,CANADA	
..2	L/CRT	AA68-01557A LABEL ENERGY;STAR,STATIC FREE FILM	
..2	L/RAT	AA68-01617A LABEL-RATING;TETRONEPAPER90(S)	

ASSY P/MATERIAL

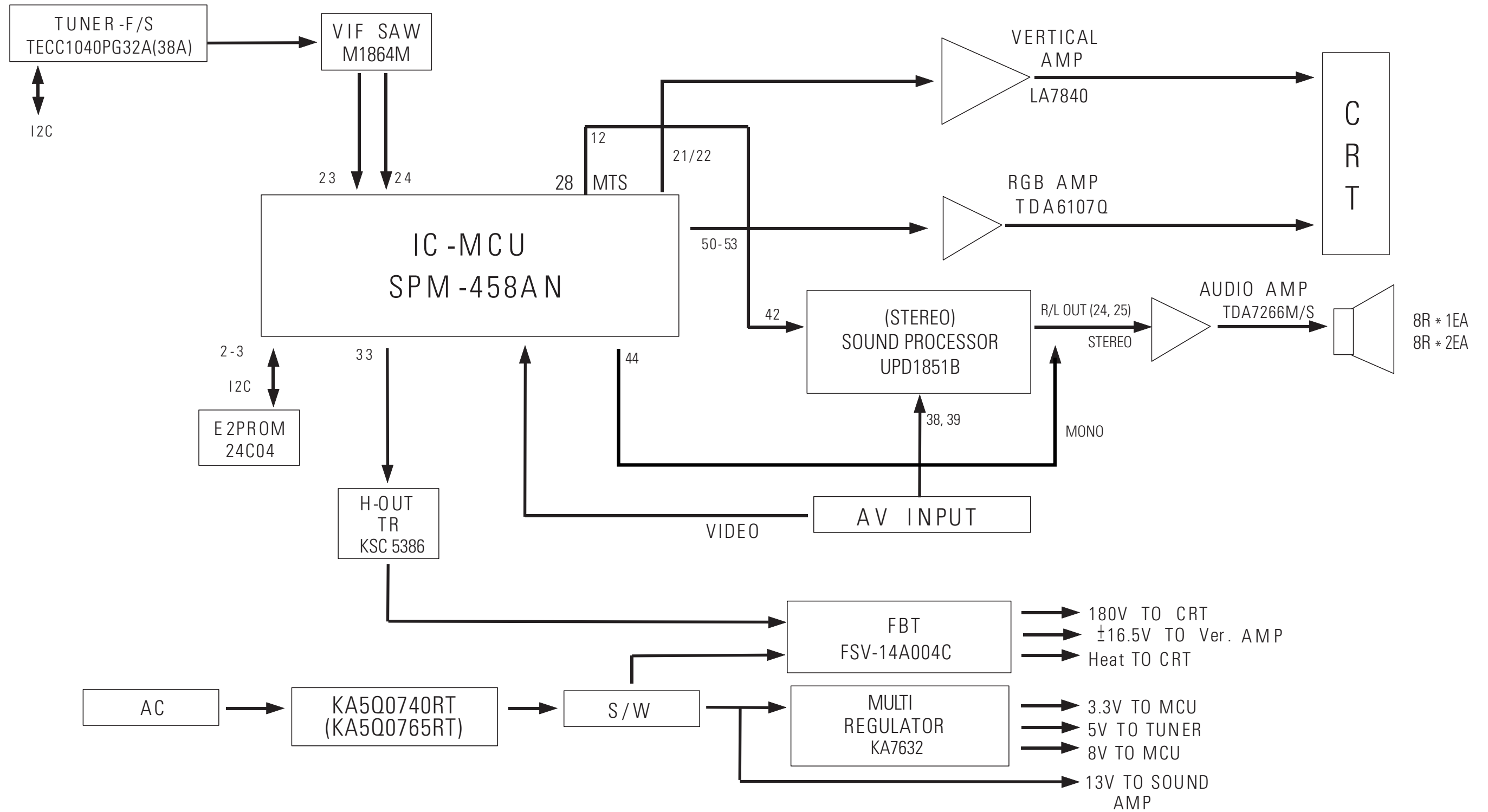
1	ASSY,P/M	AA92-05615A ASSY P/MATERIAL;TXM1367X;K15D	
..2	BXTAPE	0203-001295 TAPE-OPP MASKING;1242,T0.06,W100,L91.4M,	
..2	STAPLE	AA60-40006A PIN-STAPLE;-,-,H18,33X17.8X2	
..2	C/TOP	AA69-00125A CUSHION-TOP;EPS,FOAMED,C=0.02,14F2	
..2	C/BOTT	AA69-00125B CUSHION-BOTTOM;EPS,FOAMED,C=0.02,14F2	
..2	PE-BAG	AA69-01193A BAG PE;CT14S1BZ,130ONLY,W33',H40',20-	

ASSY ACCESSORY

1	ASSY,ACC	AA92-05616A ASSY ACCESSORY;TXM1367X/XAC;K15D	
..2	AC-TAPE	0203-001279 TAPE-OPP MASKING;#232,T0.14,W15,L50000,Y	
..2	BATT	4301-000120 BATTERY-MN;1.5V,-,AA	
..2	RMT	AA59-10101M REMOCON; DP,TM59,-,-,AA59-10095T	
..2	W/CARD	AA68-00682C CARD WARRANTY;PDP,W/P120(G),SECA,B5,BOTH	
..2	I/B1	AA68-02458A MANUAL-USERS;ENG,USA,W/P100(G),B5,K15D	
..2	C/REG	AA68-01553A CARD-REGISTRATION;WHTPAPER120S,SECA	
..2	B/WARR	AA68-01561A CARD WARRANTY;BLOCK,STATEMENT ONLY,SEA/S	
..2	BAG-PE	AA69-01195A BAG PE;CL29A6W8X,HDPETO.012,93/4X151	
..2	I/B2	AA68-02459A MANUAL-USERS;FRE,W/P100(G),B5,K15D	

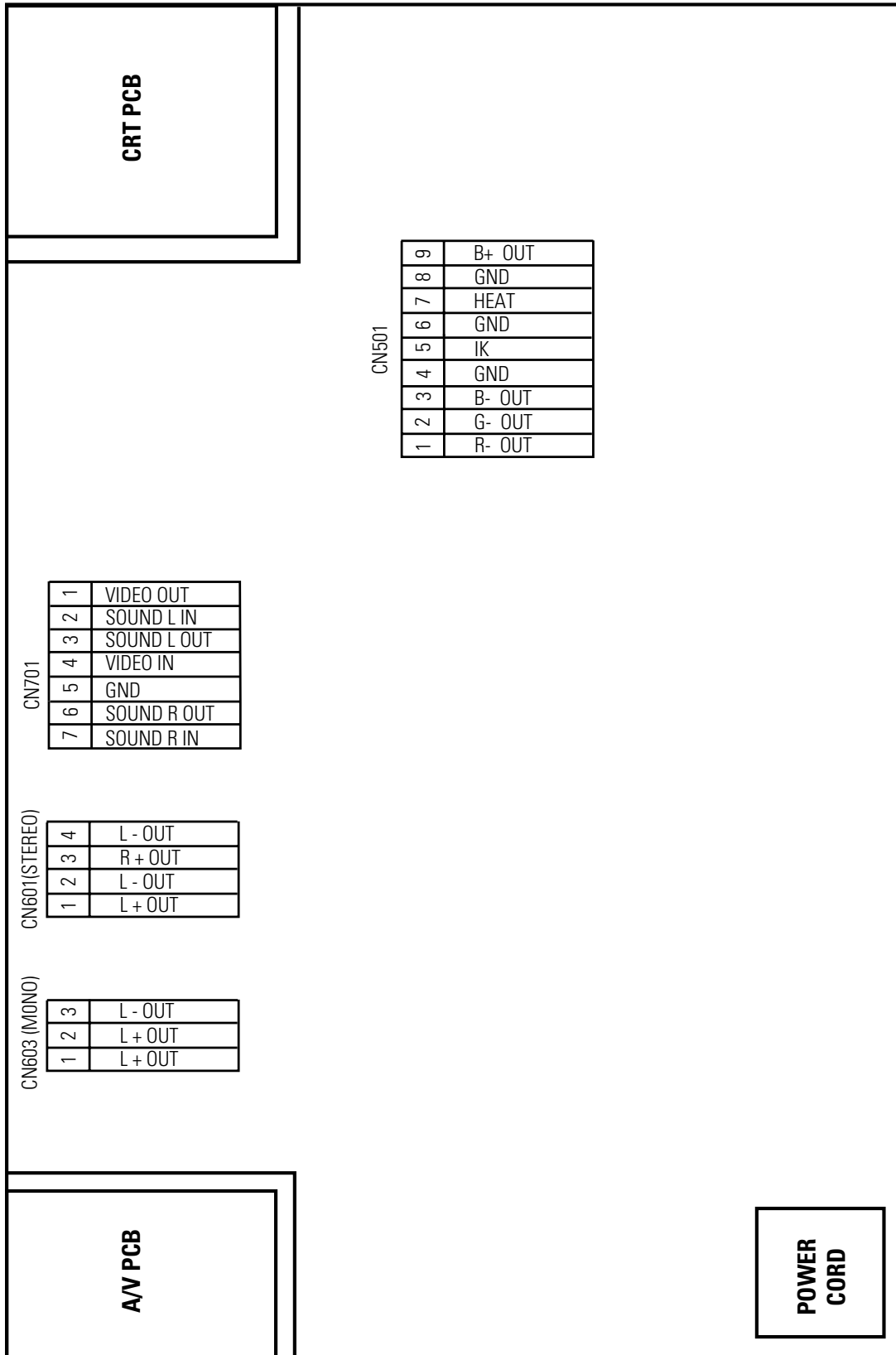
8. Block Diagram

8-1 K15D



9. Wiring Diagram

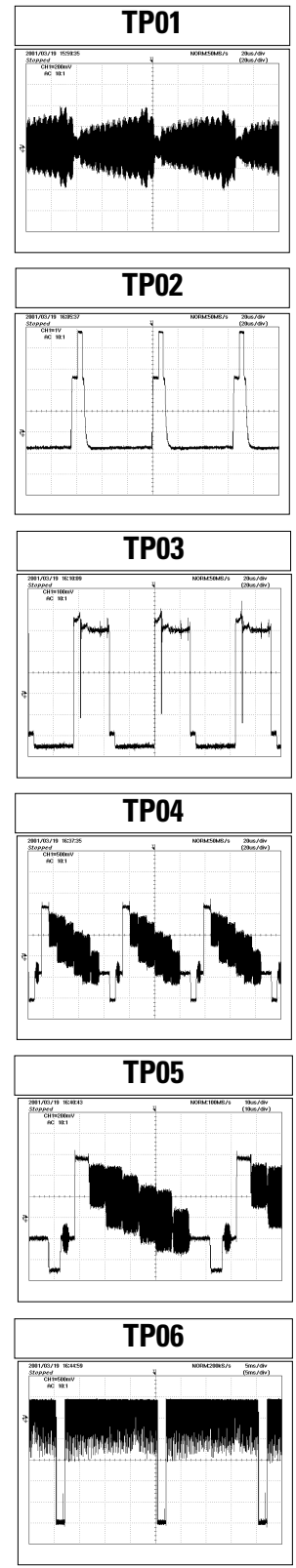
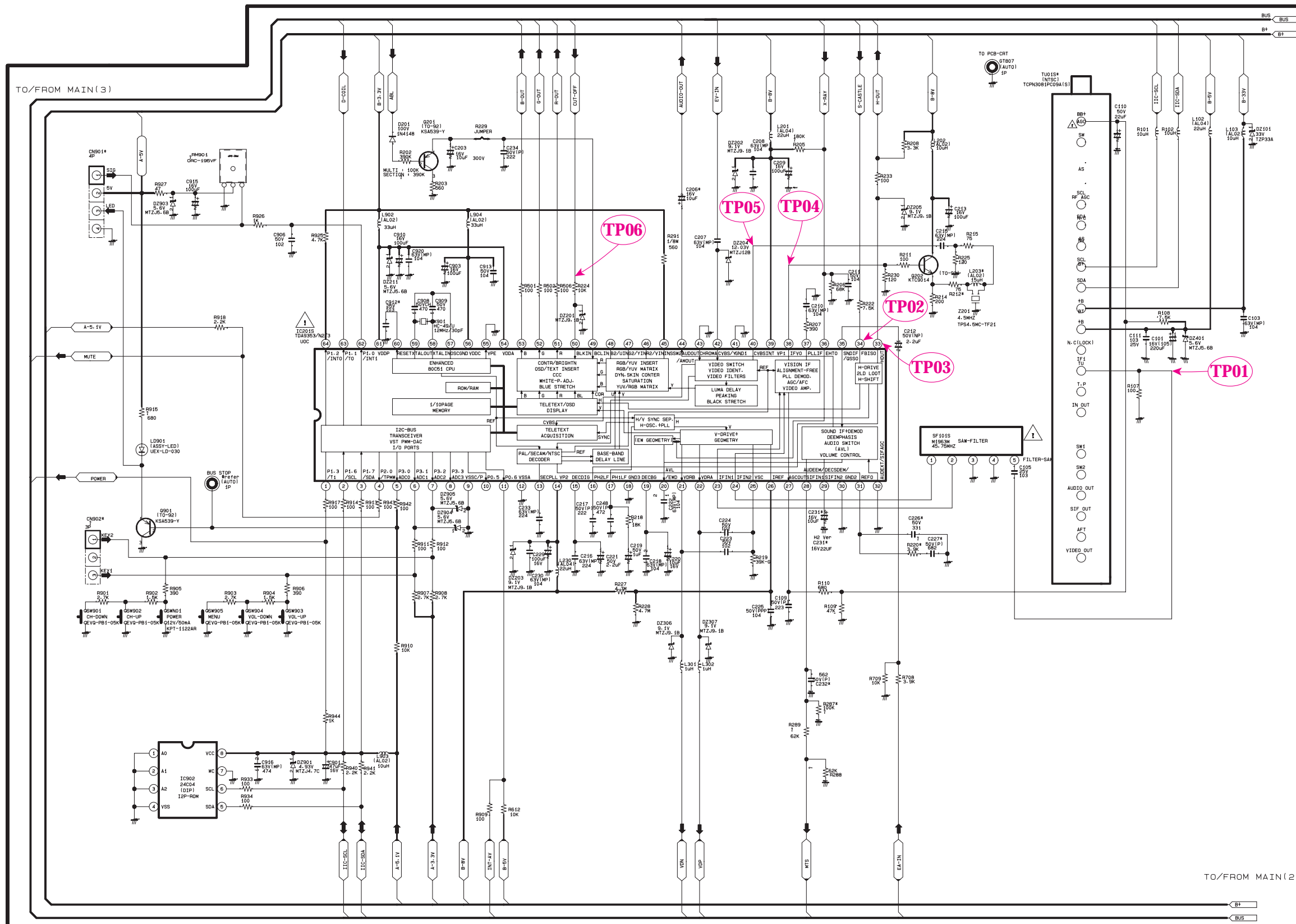
9-1 K15D



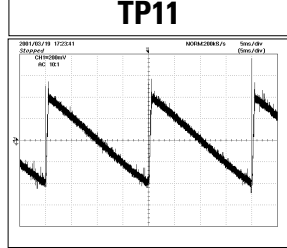
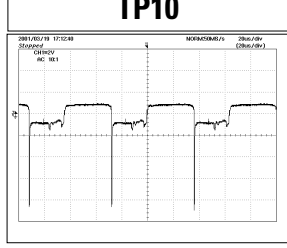
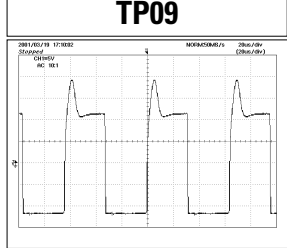
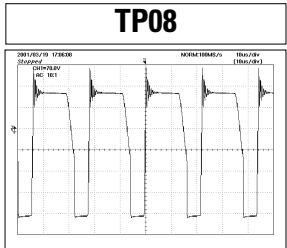
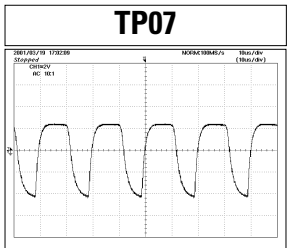
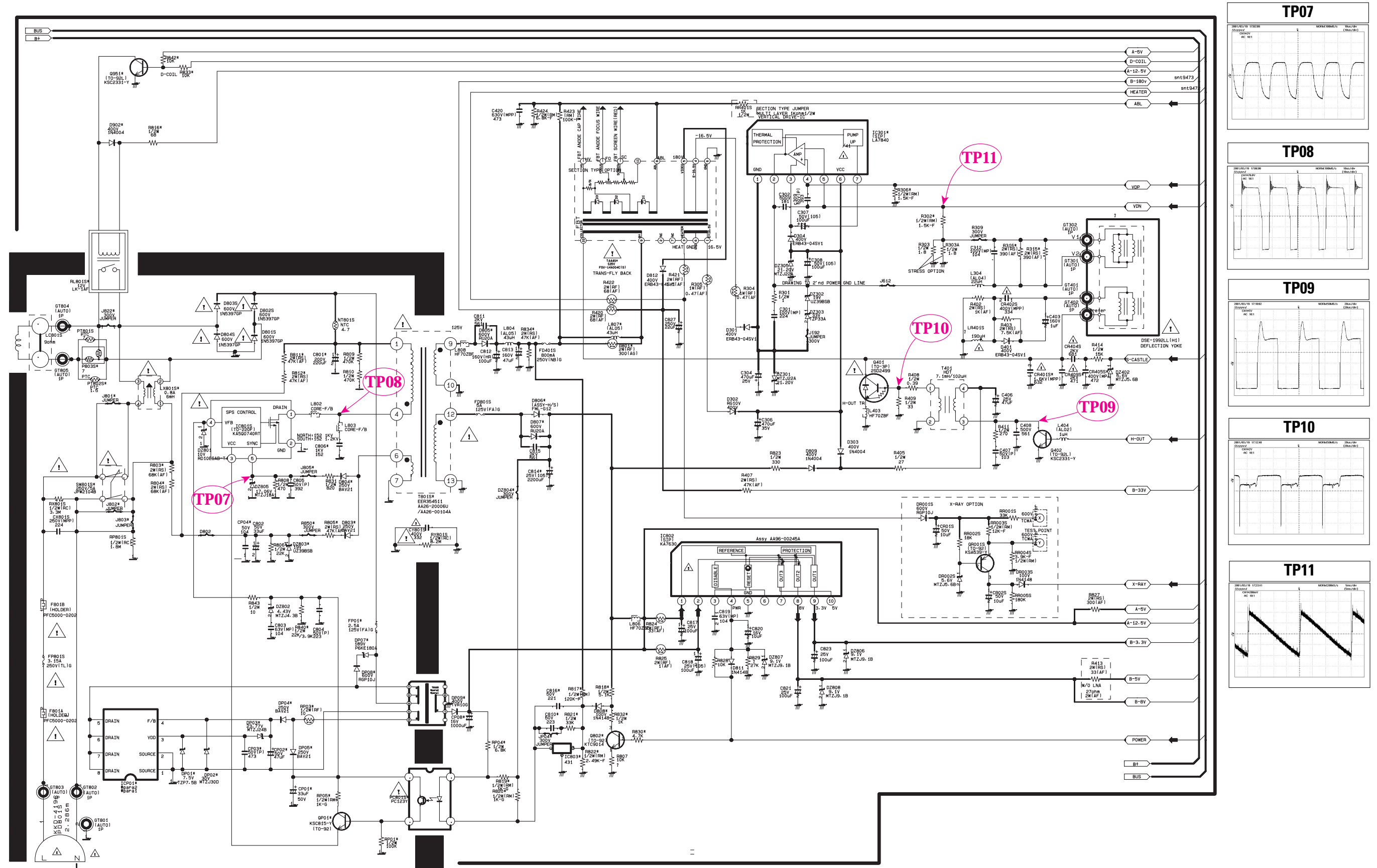
MEMO

10. Schematic Diagrams

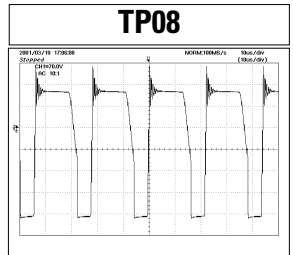
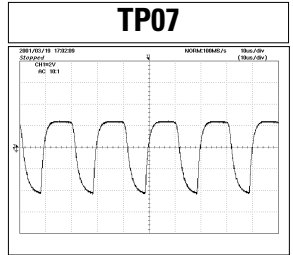
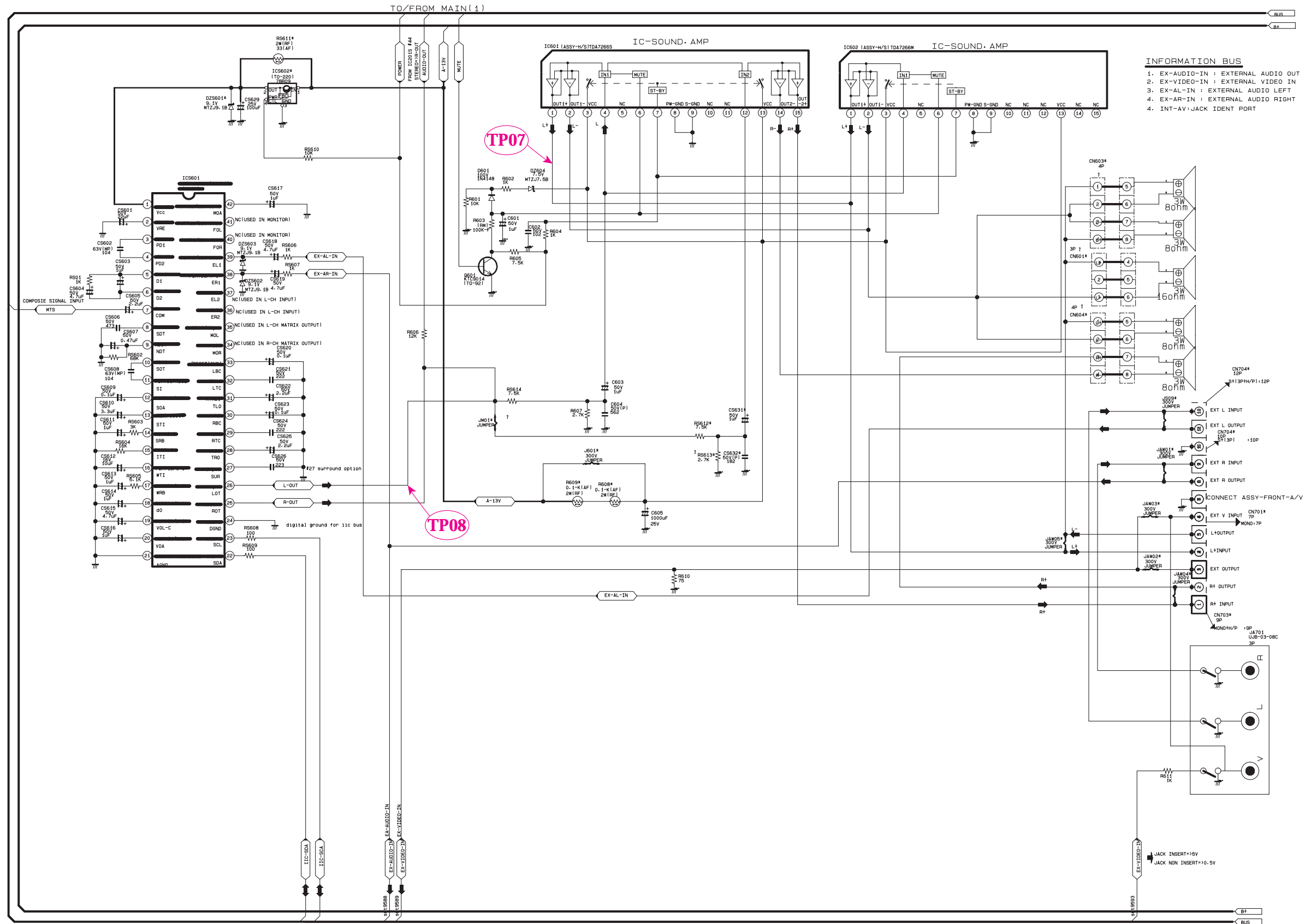
10-1 MAIN (1/4)



10-2 MAIN (2/4)



10-3 MAIN (3/4)



- INFORMATION BUS**
1. EX-AUDIO-IN : EXTERNAL AUDIO OUT
 2. EX-VIDEO-IN : EXTERNAL VIDEO IN
 3. EX-AL-IN : EXTERNAL AUDIO LEFT
 4. EX-AR-IN : EXTERNAL AUDIO RIGHT
 5. INT-AV-JACK IDENT PORT

— : Power Line
 — : Signal Line

10-4 MAIN (4/4)

